

Note: Twist Lock Pipe (6"-12") overlaps 1½" when joined together. Quick Connect Lock (14"-18") overlaps 1½" when joined together with sheet metal screws. Therefore, assembled length on all sizes is 1½" less than listed length.

**Temp/Guard® All-Fuel Chimneys**

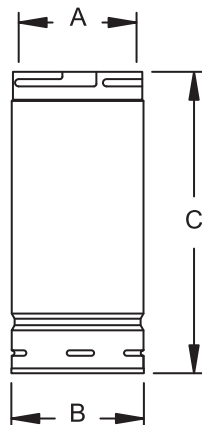
Double-wall, factory-built type for use with listed wood, coal, oil or gas-fired appliances.



- Temp/Guard Max is the only all-fuel chimney that is UL Listed for 1½" clearance to combustibles on 6", 7", and 8" diameters.
- Temp/Guard (10"-18") is tested and listed for a minimum clearance to combustibles of 2".
- Sizes 6", 7", 8", 10" and 12" are listed by Underwriters Laboratories Inc. to UL Standard 103HT (2100° intermittent; 1000° continuous).
- Sizes 14", 16" and 18" are listed by Underwriters Laboratories Inc. to UL Standard 103 (1700° intermittent; 1000° continuous).
- Sizes 6", 7" and 8" are listed by Underwriters Laboratories Inc. to ULC-S629 for use in Canada (see separate installation instructions; literature number L2686).
- The S.S. flue conduit is wrapped with ceramic insulating material.
- Limited Lifetime Warranty

- **Application Reminder:** For oil or coal burning appliances, use only pipe with S.S. casing and S.S. or Aluminum accessory components outside the envelope of the building.
- **Appliance Caution:** Temp/Guard is intended for use in residential and building heating appliances that operate at continuous temperatures below 1000°.

**CHIMNEY PIPE – 6" - 12" TGS (Stainless casing) and TGG (Galvanized casing)**

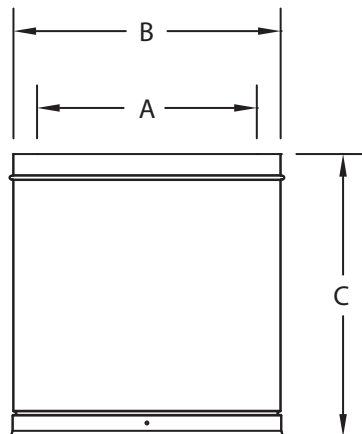


SIZE	6"	7"	8"	10"	12"
A	6.00	7.00	8.00	10.00	12.00
B	9.00	10.00	11.00	13.00	15.00
C	6, 12, 18, 24, 36, and 48* inch lengths				

\*48" lengths of 10" and 12" not available

The outer casing of stainless or galvanized provides strength, durability, and corrosion resistance. Twist lock enables fast, easy installation, without tools. **Always use TGS for exterior pipe in oil applications.**

**CHIMNEY PIPE – 14" - 18" TG (Aluminized Outer Casing)**



Notes:

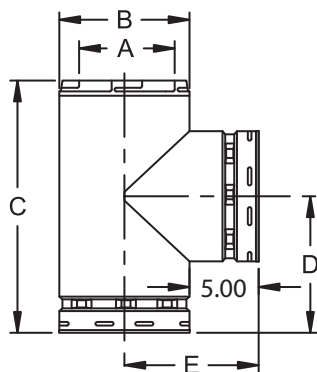
(1) 14", 16", 18" listed to 1700° intermittent; 1000° continuous

(2) Quick connect Lock using sheet metal screws.

SIZE	14"	16"	18"
A	14.00	16.00	18.00
B	17.00	19.00	21.00
C	12, 18, 36, and 48 inch lengths		

Note: Twist Lock Pipe overlaps 1½" when joined together. Therefore, assembled length is 1½" less than listed length.

**INSULATED TEE – 6" - 12" TGST (Stainless casing) and TGGT (Galvanized casing)**

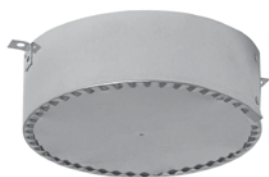


SIZE	6"	7"	8"	10"	12"
A	6.00	7.00	8.00	10.00	12.00
B	9.00	10.00	11.00	13.00	15.00
C	17.50	18.50	19.50	21.50	23.50
D	9.50	10.00	10.50	11.50	12.50
E	9.50	10.00	10.50	11.50	12.50

Note: Insulated Tee – 10" - 12" galvanized casing only. 14", 16", and 18" components are intended for use on chimney extensions only.

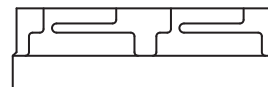
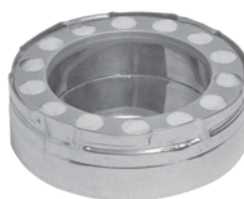
The chimney tee may be used to support the chimney indoors or outdoors on the non-combustible wall support or masonry pier. A standard tee cap (TGTC) ships with the tee.

**TEE CAP – 6" - 12" TGTC**



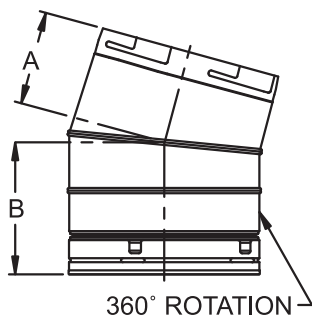
Ships with 6" - 12" tee, or may be ordered separately.

**INSULATED TEE CAP – 6" - 8" TGITC**



For installations close to combustibles, this insulated tee cap may be ordered separately. Not for use on a tee support.

**15° ANGLE – 6" - 12" TGSA15 (Stainless casing) and TGA15 (Galvanized casing)**



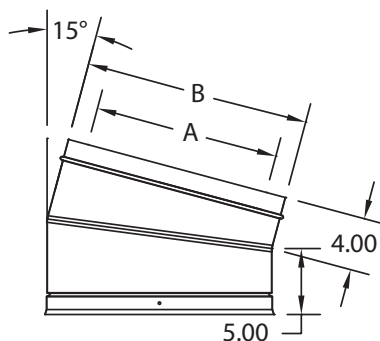
SIZE	6"	7"	8"	*10"	*12"
A	3.75	3.75	3.75	3.75	3.75
B	6.38	6.38	6.38	6.38	6.38

15° angles are used in pairs to obtain lateral movement around obstructions or to locate the chimney closer to the ridge.

\*15° angles in 10" and 12" available with galvanized outer jacket only.

\*See installation instructions for offset chart.

**15° ANGLE – 14" - 18" TGA15 (Aluminized outer casing)**



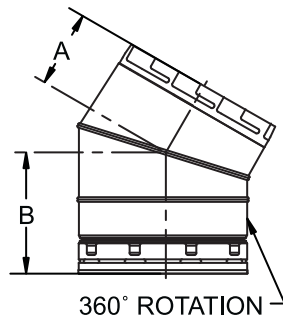
SIZE	14"	16"	18"
A	14.00	16.00	18.00
B	17.00	19.00	21.00

15° angles are used in pairs to obtain lateral movement around obstructions or to locate the chimney closer to the ridge.

\*See installation instructions for offset chart.

Note: Twist Lock Pipe overlaps 1½" when joined together. Therefore, assembled length is 1½" less than listed length.

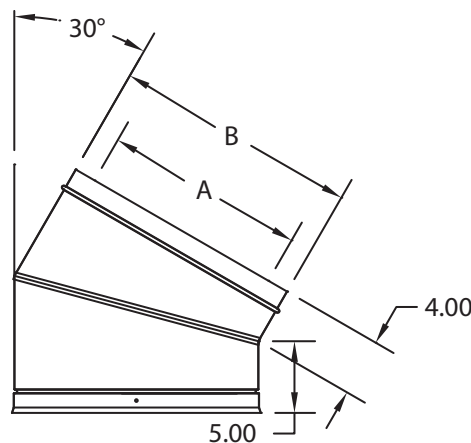
**30° ANGLE – 6" - 12" TGSA30 (Stainless) and TGA30 (Galvanized)**



SIZE	6"	7"	8"	10"	12"
A	4.75	4.75	4.75	4.75	4.75
B	6.75	6.75	6.75	6.75	6.75

30° angles are used in pairs to obtain lateral movement where more angle is required.

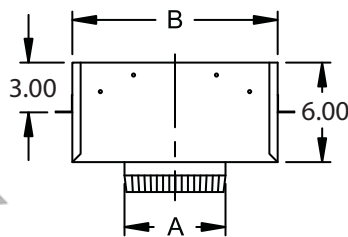
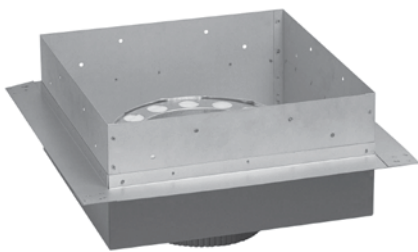
**30° ANGLE – 14 - 18" TGA30 (Aluminized outer casing)**



SIZE	14"	16"	18"
A	14.00	16.00	18.00
B	17.00	19.00	21.00

30° angles are used in pairs to obtain lateral movement where more angle is required.

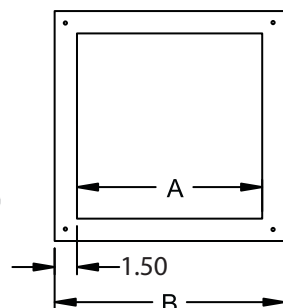
**PAINTED CEILING SUPPORT – TGCSP**



SIZE	6"	7"	8"	10"	12"
A	6.00	7.00	8.00	10.00	12.00
B	12.44	13.44	14.44	17.00	19.00
Flange Width is 1½"					

The black ceiling support is designed to support the chimney from the floor or ceiling joists. 6", 7", and 8" chimney fits between 16" O.C. joists with required clearance. Single wall adapter is part of support assembly.

**PAINTED CEILING SUPPORT TRIM – TGCST**



SIZE	6"	7"	8"	10"	12"
A	12.63	13.63	14.63	17.19	19.19
B	15.63	16.63	17.63	20.19	22.19

The black trim piece is used to trim off the ceiling support (TGCSP) if ceiling drywall has covered the built-in support box trim on new construction.