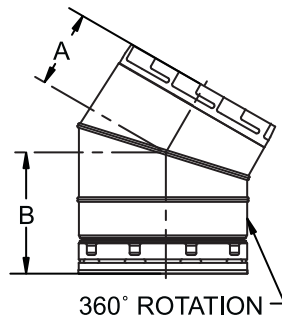


Note: Twist Lock Pipe overlaps 1½" when joined together. Therefore, assembled length is 1½" less than listed length.

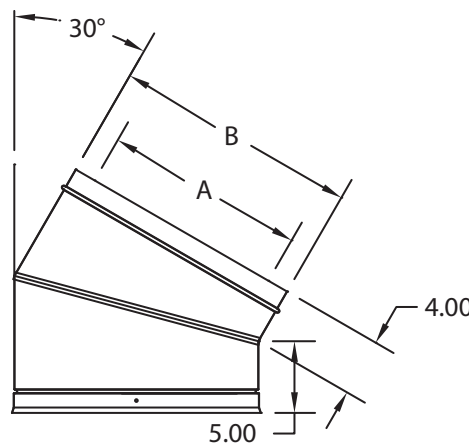
**30° ANGLE – 6" - 12" TGSA30 (Stainless) and TGA30 (Galvanized)**



SIZE	6"	7"	8"	10"	12"
A	4.75	4.75	4.75	4.75	4.75
B	6.75	6.75	6.75	6.75	6.75

30° angles are used in pairs to obtain lateral movement where more angle is required.

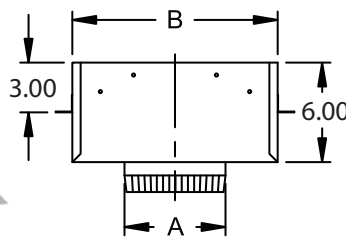
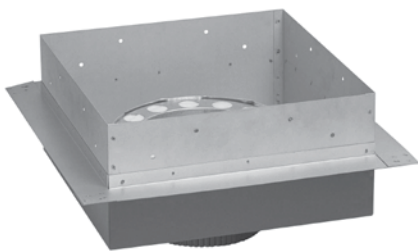
**30° ANGLE – 14 - 18" TGA30 (Aluminized outer casing)**



SIZE	14"	16"	18"
A	14.00	16.00	18.00
B	17.00	19.00	21.00

30° angles are used in pairs to obtain lateral movement where more angle is required.

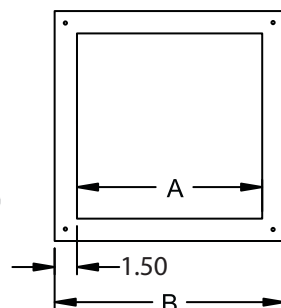
**PAINTED CEILING SUPPORT – TGCSP**



SIZE	6"	7"	8"	10"	12"
A	6.00	7.00	8.00	10.00	12.00
B	12.44	13.44	14.44	17.00	19.00
Flange Width is 1½"					

The black ceiling support is designed to support the chimney from the floor or ceiling joists. 6", 7", and 8" chimney fits between 16" O.C. joists with required clearance. Single wall adapter is part of support assembly.

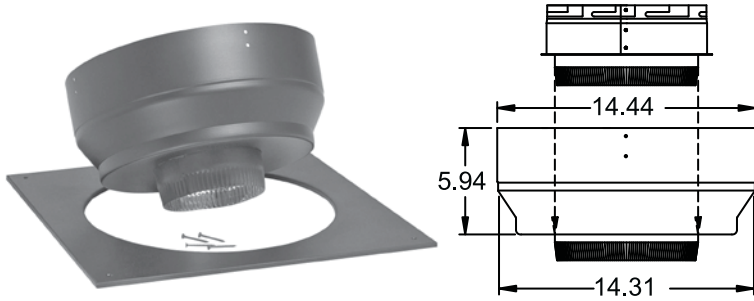
**PAINTED CEILING SUPPORT TRIM – TGCST**



SIZE	6"	7"	8"	10"	12"
A	12.63	13.63	14.63	17.19	19.19
B	15.63	16.63	17.63	20.19	22.19

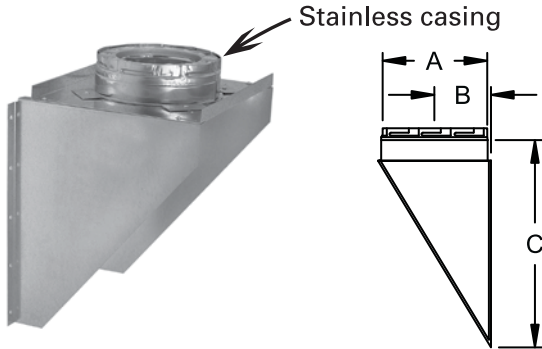
The black trim piece is used to trim off the ceiling support (TGCSP) if ceiling drywall has covered the built-in support box trim on new construction.

**DELUXE CEILING SUPPORT – TGDLSX**



The deluxe support provides round "barrel" design. The "barrel" has Temp/Guard pipe adapter built into it. Comes with both round and square trim plates. (square plate shown)

**WALL SUPPORT/ADAPTER – FIXED – TGWS**

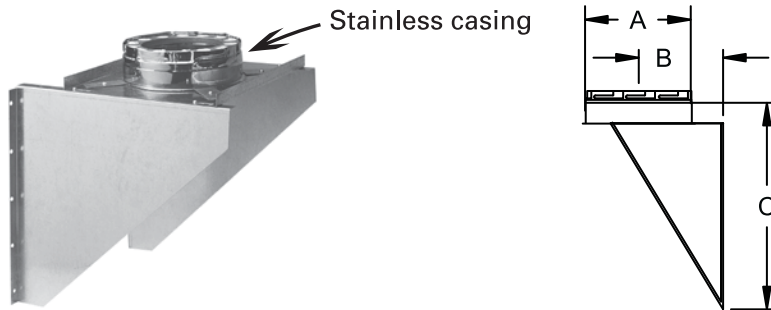


SIZE	6"	7"	8"	10"	12"
A	9.00	10.00	11.00	13.00	15.00
B	6.50	7.00	7.50	8.50	9.50
C	17.50	17.50	17.50	17.50	17.50

Note: Mounting spacing is 16" O.C. for all sizes. This fixed spacing wall support is designed for use with the insulated tee to provide support for the chimney which has a lateral connection passing through the combustible wall. Support allows access from below to tee cap. The maximum height of chimney which may be supported is 60 ft.

\*Available in stainless steel, please contact factory.

**WALL SUPPORT/ADAPTER – ADJUSTABLE – TGAWS**

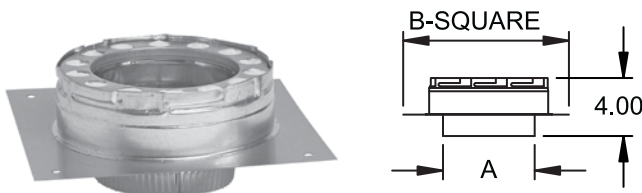


SIZE	6"	7"	8"
A	9.00	10.00	11.00
B	5.00-11.00	5.50-11.50	7.50-13.50
C	17.50	17.50	17.50

The adjustable support enables adjustments in clearance to combustibles from 2" - 6".

\*Available in stainless steel, please contact factory.

**ANCHOR PLATE – 6" - 12" TGAP**



SIZE	6"	7"	8"	10"	12"
A	6.00	7.00	8.00	10.00	12.00
B	12.00	13.00	14.00	16.00	18.00

The stainless steel anchor plate provides a positive connection to the smoke chamber on top of the masonry fireplace. 6" - 12" also used with chimney tee on masonry pier.

**ANCHOR PLATE – 14" - 18" TGAP**

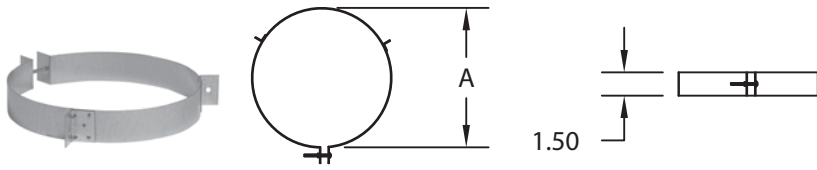


SIZE	14"	16"	18"
A	14.00	16.00	18.00
B	17.00	19.00	21.00
C	22.00	24.00	26.00

**SUPPORT BAND – 6" - 12" TGSB**

Note: Use with TG and ATG

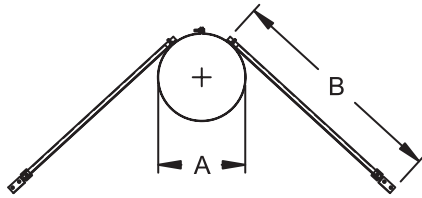
SIZE	6"	7"	8"	10"	12"	13"	14"	16"
"A"	9.00	10.00	11.00	13.00	15.00	16.00	17.00	19.00



The support band is for use on installations where additional support is needed above the roof. Thin wall conduit or guy wire is to be attached to the band.

\*Available in stainless steel, please contact factory.

**ROOF BRACE – 6" - 8" TGRB**

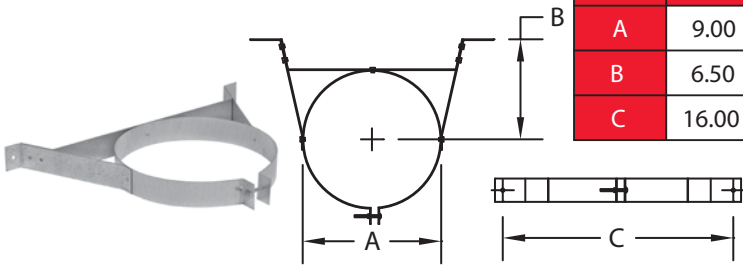


SIZE	6"	7"	8"
A	9.00	10.00	11.00
B	Adjustable from 32" to 60"		

The roof brace kit includes support band, two braces, and mounting feet. Needed when more than 4 ft. of chimney extends above the roof.

**WALL BAND – 6" - 18" TGWB**

Note: Use with TG and ATG

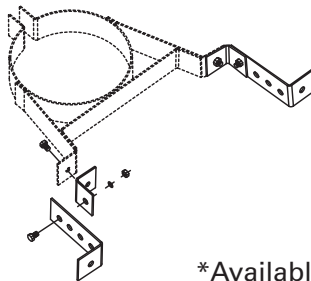
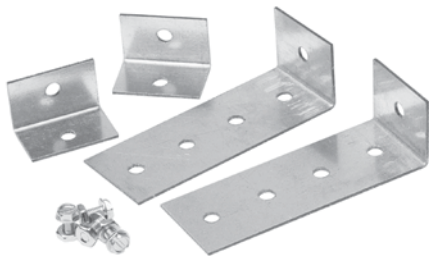


SIZE	6"	7"	8"	10"	12"	13"	14"	16"	18"
A	9.00	10.00	11.00	13.00	15.00	16.00	17.00	19.00	21.00
B	6.50	7.00	7.50	8.50	9.50	10.00	10.50	11.50	12.50
C	16.00	16.00	16.00	16.00	16.00	17.00	18.00	20.00	22.00

The wall band is used to secure the chimney to the wall, providing lateral stability and maintaining the proper clearance for the chimney pipe. The recommended spacing is 8 ft. between bands above the starting point.

\*Available in stainless steel, please contact factory.

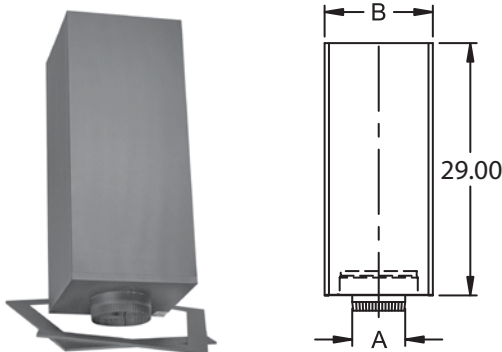
**WALL BAND ADJUSTMENT KIT – TGWBA – KIT FITS 6", 7" AND 8"**



Enables adjustment of standard wall band (TGWB) from 2" - 6"

\*Available in stainless steel, please contact factory.

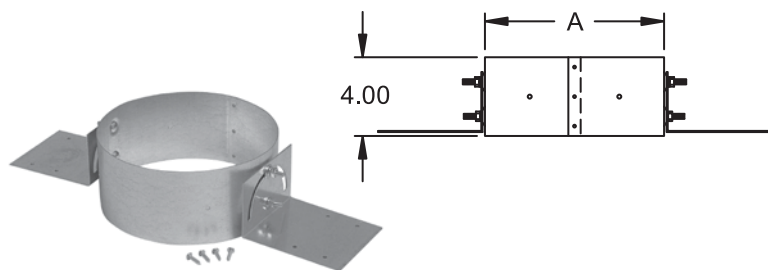
**ROOF SUPPORT W/TRIM – 6" - 12" TGRS**



SIZE	6"	7"	8"	10"	12"
A	6.00	7.00	8.00	10.00	12.00
B	12.44	13.44	14.44	17.00	19.00

For use on open beamed pitched roofs or ceilings. Includes trim pieces for finishing out installation. Also includes integral single wall adapter. Will support 20 ft. of pipe.

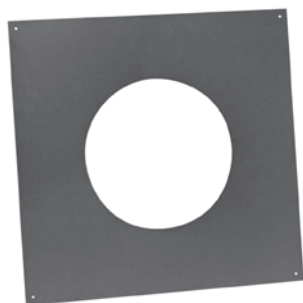
**ADJUSTABLE SUPPORT – 6" - 12" TGAS**



SIZE	6"	7"	8"	10"	12"
A	9.10	10.10	11.10	13.10	15.10

Adjustable support fits all roof pitches and requires only simple framing. Can support 30 ft. of pipe. Trim with pitched ceiling plate of correct pitch.

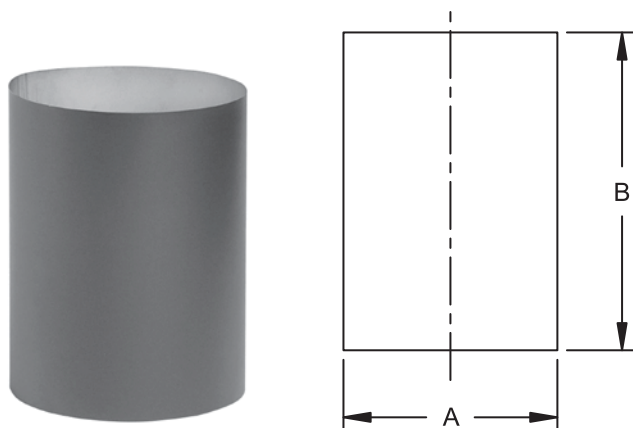
**PITCHED CEILING PLATE – 6" - 8" TGPCP**



Used when pipe is supported by the TGAS. The oval I.D. of this plate covers any gap left between the chimney pipe and the ceiling. Select the plate which corresponds with the ceiling pitch. I.D. sized to fit over trim sleeve (TGTS).

Available pitches:  
2/12; 4/12; 6/12; 8/12; & 10/12

**PAINTED TRIM SLEEVE – 6" - 8" TGTS**

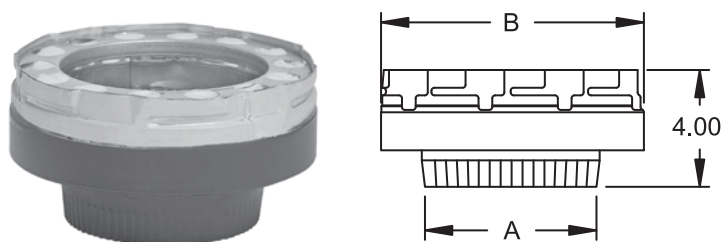


SIZE	6"	7"	8"
A	9.06	10.06	11.06
B	12.00	12.00	12.00

This cylinder slides over O.D. of TG pipe that protrudes through the wall or ceiling. It provides a uniform, finished appearance.

**SINGLE WALL ADAPTER – 6" - 8" TGPSWA (painted) & 10" - 12" TGSWA (unpainted)**

Also used as double wall black adapter.



SIZE	6"	7"	8"	10"	12"
A	6.00	7.00	8.00	10.00	12.00
B	9.00	10.00	11.00	13.00	15.00

The single wall adapter is used to provide transition from single wall pipe to Temp/Guard chimney pipe.

\*10" & 12" are unpainted.