

**SURE-TEMP®**

# All-Fuel Chimney Systems



The Sure-Temp Chimney System is designed to meet the needs of today's high-efficiency Wood Stoves and other appliances burning wood, oil or gas\*. Components may be combined in a wide variety of ways to solve almost any chimney installation requirement.

- Sure-Temp® HT – 5" – 8" I.D.
- Sure-Temp® – 10", 12", 14" I.D.



\* Check appliance installation instructions for details


**SELKIRK®**

# TABLE OF CONTENTS

PAGE

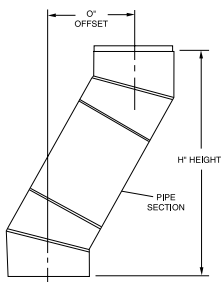
## SURE-TEMP® HT/SURE-TEMP®

Chimney Lengths . . . . . 3  
 Elbows and Tees. . . . . 4  
 Supports . . . . . 5  
 SURE-TEMP Chimney Kits . . . . . 8  
 Terminations and Flashings . . . . . 9  
 Shields . . . . . 11  
 Adapters . . . . . 12  
 Accessories . . . . . 13  
 Typical Chimney Installations. . . . . 14

 <b>IMPORTANT</b> This catalog references Selkirk Chimney Systems with maximum test temperatures under Underwriters Laboratories Safety Standard for Factory-Built Chimneys.	Diameter Sizes:	5", 6", 7" & 8"	10", 12" & 14"
	Clearances:	2" of Airspace to Combustibles	2" of Airspace to Combustibles
	Listing:	UL 103 HT	UL 103
	Temperature Ratings:	2100°F (Maximum Test 10 min.)	1700°F (Maximum Test 10 min.)
		1400°F (Maximum for 60 min.)	1400°F (Maximum for 60 min.)
	1000°F (Maximum Continuous Operating Temperatures)	1000°F (Maximum Continuous Operating Temperatures)	

The Selkirk® Chimney System (SCS) is ideal for venting residential heating appliances burning wood, #2 oil, and natural and LP gas. They have been specifically designed for today's modern, high-efficiency "airtight" wood stoves. They are designed for gravity (natural draft), nonpositive internal pressure venting only. The SCS is usable on any appliance having a power burner (such as an oil furnace) if that appliance operates with neutral or negative draft at its outlet. Non-residential appliances which may cause positive pressure in the chimney should use a Selkirk Commercial Model PS or IPS system.

## Chimney Offset Table



Part No.	2 Elbows		2 Elbows		2 Elbows		2 Elbows		2 Elbows		2 Elbows		2 Elbows			
	w/o Pipe		+ 6" Section		+ 9" Section		+ 12" Section		+ 18" Section		+ 24" Section		+ 36" Section		+ 48" Section	
	O	H	O	H	O	H	O	H	O	H	O	H	O	H	O	H
5ST HT - EL 15°	0.93	7.03	2.16	11.62	2.94	14.52	N/A	N/A	5.72	23.21	N/A	N/A	9.92	40.60	N/A	N/A
6ST HT - EL 15°	1.04	7.88	2.27	12.47	3.05	15.37	3.82	18.26	5.38	24.06	6.92	29.85	10.03	41.25	13.03	53.04
7ST HT - EL 15°	1.00	7.62	2.23	12.21	3.01	15.11	3.78	18.00	5.34	23.80	6.89	29.59	10.00	41.19	13.10	52.78
8ST HT - EL 15°	0.97	7.36	2.20	11.95	2.98	14.85	3.75	17.74	5.31	23.54	6.85	29.33	9.96	40.93	13.07	52.52
5ST HT - EL 30° (2-15)	3.64	13.59	6.02	17.70	7.52	20.30	9.02	22.90	12.02	28.10	15.02	33.29	21.02	43.69	27.02	54.08
6ST HT - EL 30° (2-15)	4.08	15.23	6.45	19.34	7.96	21.94	9.45	24.54	12.45	29.74	15.45	34.93	21.45	45.33	27.45	55.72
7ST HT - EL 30° (2-15)	3.95	14.73	6.33	18.84	7.83	21.44	9.33	24.04	12.33	29.24	15.33	34.43	21.33	44.83	27.33	55.22
8ST HT - EL 30° (2-15)	3.81	14.23	6.19	18.34	7.69	20.94	9.19	23.54	12.19	28.74	15.19	33.93	21.19	44.33	27.19	54.72
5ST HT - EL 30°	3.67	13.75	6.05	17.86	7.55	20.46	N/A	N/A	12.05	28.26	N/A	N/A	21.05	43.84	N/A	N/A
6ST HT - EL 30°	3.82	14.26	6.20	18.37	7.70	20.97	9.19	23.57	12.20	28.76	15.20	33.96	21.20	44.35	27.20	54.75
7ST HT - EL 30°	3.96	14.76	6.34	18.87	7.84	21.47	9.33	24.07	12.34	29.26	15.34	34.46	21.34	44.85	27.34	55.25
8ST HT - EL 30°	4.09	15.26	6.47	19.37	7.97	21.97	9.46	24.57	12.46	29.76	15.47	34.96	21.47	45.35	27.47	55.75
10ST - EL 15°	1.24	9.43	2.47	14.02	3.25	16.92	4.02	19.81	5.58	25.61	7.12	31.40	10.23	43.00	N/A	N/A
12ST - EL 15°	1.00	7.72	2.23	12.31	3.01	15.21	3.78	18.10	5.33	23.90	6.88	29.69	9.99	41.28	N/A	N/A
14ST - EL 15°	1.06	8.25	2.29	12.84	3.07	15.74	3.84	18.63	5.39	24.43	6.95	30.22	10.05	41.82	N/A	N/A
10ST - EL 30°	3.92	15.18	6.30	19.29	7.80	21.89	9.30	24.49	12.30	29.70	15.30	34.88	21.30	45.27	N/A	N/A
12ST - EL 30°	3.92	14.63	6.30	18.74	7.80	21.34	9.30	23.93	12.30	29.14	15.30	34.33	21.29	44.72	N/A	N/A
14ST - EL 30°	4.19	15.63	6.57	19.74	8.07	22.34	9.56	24.93	12.57	30.14	15.57	35.33	21.56	45.72	N/A	N/A

NOTE: O = Offset; H = Height

All dimensions and indicated lengths assume a 1.25" overlap... 5" through 10"; 15 degree elbows are new 2 gore design. "(2-15)" are for a pair of 15 deg elbows.

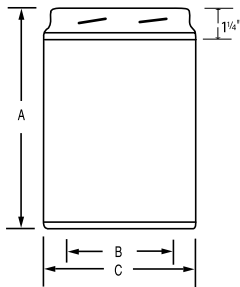
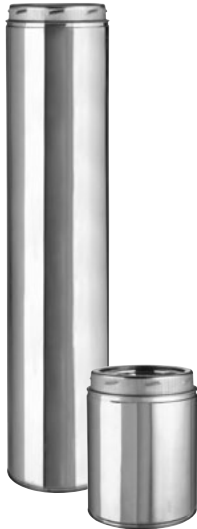
# CHIMNEY PARTS GUIDE

The following section offers pictorial references, specifications and a brief description of major components to aid in the design of a Sure-Temp – Type HT and Sure-Temp Chimney Systems.



READ AND FOLLOW THE INSTALLATION INSTRUCTIONS WHEN INSTALLING ANY CHIMNEY SYSTEM.

## Insulated Pipe



### SURE-TEMP - TYPE HT

Size	Product No.	Part No.	A	B	C
5"	205006U	5UT-6	6"	5"	7"
	205009U	5UT-9	9"	5"	7"
	205018U	5UT-18	18"	5"	7"
	205036U	5UT-36	36"	5"	7"

### SURE-TEMP

Size	Product No.	Part No.	A	B	C
10"	210006U	10UT-6	6"	10"	12"
	210009U	10UT-9	9"	10"	12"
	210018U	10UT-18	18"	10"	12"
	210036U	10UT-36	36"	10"	12"

### SURE-TEMP - TYPE HT

Size	Product No.	Part No.	A	B	C
6"	206006	6ST-6	6"	6"	8"
	206009	6ST-9	9"	6"	8"
	206012	6ST-12	12"	6"	8"
	206018	6ST-18	18"	6"	8"
	206024	6ST-24	24"	6"	8"
	206036	6ST-36	36"	6"	8"
	206148	6ST-48	48"	6"	8"

### SURE-TEMP

Size	Product No.	Part No.	A	B	C
12"	212006U	12UT-6	6"	12"	14"
	212009U	12UT-9	9"	12"	14"
	212018U	12UT-18	18"	12"	14"
	212036U	12UT-36	36"	12"	14"

### SURE-TEMP - TYPE HT

Size	Product No.	Part No.	A	B	C
7"	207006	7ST-6	6"	7"	9"
	207009	7ST-9	9"	7"	9"
	207012	7ST-12	12"	7"	9"
	207018	7ST-18	18"	7"	9"
	207024	7ST-24	24"	7"	9"
	207036	7ST-36	36"	7"	9"
	207148	7ST-48	48"	7"	9"

### SURE-TEMP

Size	Product No.	Part No.	A	B	C
14"	214006U	14UT-6	6"	14"	16"
	214009U	14UT-9	9"	14"	16"
	214018U	14UT-18	18"	14"	16"
	214036U	14UT-36	36"	14"	16"

### NOTE:

All insulated pipe lengths are furnished with a Locking Band.

### SURE-TEMP - TYPE HT

Size	Product No.	Part No.	A	B	C
8"	208006	8ST-6	6"	8"	10"
	208009	8ST-9	9"	8"	10"
	208012	8ST-12	12"	8"	10"
	208018	8ST-18	18"	8"	10"
	208024	8ST-24	24"	8"	10"
	208036	8ST-36	36"	8"	10"
	208148	8ST-48	48"	8"	10"

### LOCKING BAND

Product No.	Part No.
205450	5T-LB
206450	6T-LB
207450	7T-LB
208450	8T-LB
210450	10S-LB
212450	12S-LB
214450	14S-LB



### NOTE:

Locking Bands are pre-assembled with captured nut and screw.

# ELBOWS AND TEES

## 15°/30° Insulated Elbow Kits

15° Insulated Elbows can be used for fixed offsets of 15° slope or in pairs for offsets adjustable from 0 degrees to 30 degrees slope. The 30° Insulated Elbow in 5", 6", 7" and 8" sizes can be used for fixed offsets of 30 degrees slope. Greater angles are prohibited by UL® Standard 103 and by the terms of the product listing.

*Now includes 2 Elbows, 2 Locking Bands, and 1 Interior Resupport—all in One Box!*



Two 15° Elbows combine to be adjustable 0-30°

### SURE-TEMP-TYPE HT 15° EL Kits

Product No.	Part No.	A	B
205206	5T-EL 15 KIT	11 $\frac{1}{2}$ "	3 $\frac{1}{4}$ "
206206	6T-EL 15 KIT	11 $\frac{1}{2}$ "	3 $\frac{1}{4}$ "
207206	7T-EL 15 KIT	12 $\frac{1}{2}$ "	3 $\frac{3}{8}$ "
208206	8T-EL 15 KIT	12 $\frac{1}{2}$ "	3 $\frac{3}{8}$ "

### SELKIRK 15° EL Kits

Product No.	Part No.	A	B
210206	10S-EL 15 KIT	13 $\frac{3}{8}$ "	3 $\frac{3}{8}$ "
212206	12S-EL 15 KIT	14 $\frac{1}{2}$ "	3 $\frac{3}{8}$ "
214206	14S-EL 15 KIT	15 $\frac{1}{2}$ "	4 $\frac{1}{8}$ "

### SURE-TEMP-TYPE HT 30° EL Kits

Product No.	Part No.	A	B
205211	5T-EL 30 KIT	12 $\frac{1}{2}$ "	6 $\frac{1}{4}$ "
206211	6T-EL 30 KIT	12 $\frac{1}{2}$ "	6 $\frac{1}{4}$ "
207211	7T-EL 30 KIT	13 $\frac{3}{4}$ "	7"
208211	8T-EL 30 KIT	14 $\frac{1}{4}$ "	7 $\frac{1}{2}$ "

### SELKIRK 30° EL Kits

Product No.	Part No.	A	B
210211	10S-EL 30 KIT	13 $\frac{3}{8}$ "	7"
212211	12S-EL 30 KIT	14 $\frac{1}{2}$ "	7 $\frac{1}{2}$ "
214211	14S-EL 30 KIT	15 $\frac{1}{2}$ "	8"

**REQUIRED:** Locking Bands (2 packaged with each elbow kit) are to be used at each joint. Each offset must be resupported. Elbows rotate 360° to provide the exact orientation required. Insulated Elbows can be used at the same two-inch airspace clearance as chimney sections.

## Insulated Tee

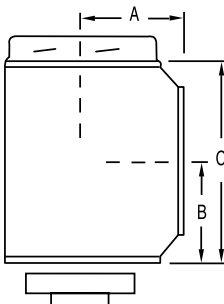
The Insulated Chimney Tee may be used to start chimneys indoors or outdoors using a Wall Support Kit or a masonry pier. A length of insulated chimney pipe is attached to the Tee snout, to pass safely through combustible walls. An Insulated Tee Cap is included and can be removed from the bottom opening for inspection and cleanout. **Maximum** height of chimney which can be supported by a Wall Support Kit is 50 feet.

### Stainless Insulated Tee with Insulated Tee Cap - Type HT

Product No.	Part No.	A	B	C
205100	5T-IT	6 $\frac{1}{4}$ "	6 $\frac{1}{4}$ "	12 $\frac{1}{2}$ "
206100	6T-IT	6 $\frac{3}{8}$ "	6 $\frac{3}{8}$ "	12 $\frac{3}{4}$ "
207100	7T-IT	6 $\frac{7}{8}$ "	6 $\frac{7}{8}$ "	13 $\frac{3}{4}$ "
208100	8T-IT	7 $\frac{1}{8}$ "	7 $\frac{1}{8}$ "	14 $\frac{1}{4}$ "

### Stainless Insulated Tee with Insulated Tee Cap

Product No.	Part No.	A	B	C
210100	10S-IT	8 $\frac{3}{8}$ "	8 $\frac{3}{8}$ "	16 $\frac{3}{4}$ "
212100	12S-IT	9 $\frac{1}{8}$ "	9 $\frac{1}{8}$ "	18 $\frac{3}{4}$ "
214100	14S-IT	10 $\frac{3}{8}$ "	10 $\frac{3}{8}$ "	20 $\frac{3}{4}$ "



### Insulated Tee Cap Only

Product No.	Part No.
205102	5T-IP
206102	6T-IP
207102	7T-IP
208102	8T-IP
210102	10S-IP
212102	12S-IP
214102	14S-IP

# SUPPORTS

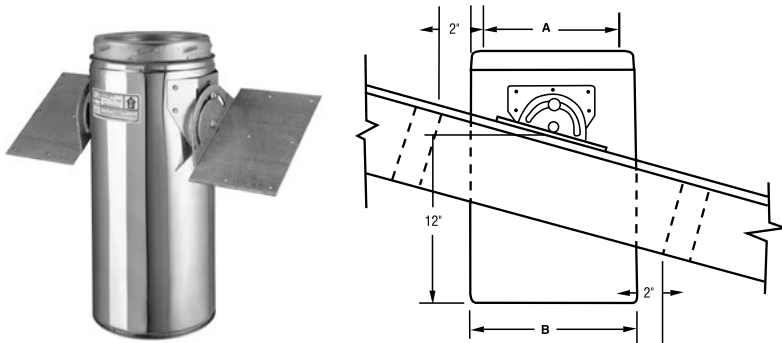
## Roof Support Package

An ideal support assembly for freestanding fireplaces and open cathedral ceiling installations. Fits all roof pitches and requires only simple framing. Mounts easily on to top of roof through opening that allows two inch clearance. Maximum length of chimney which can be suspended below is 20 feet supported. Maximum total length is 30 feet.

The Roof Support Package (RSP) contains one 18 inch length of pipe, roof brackets and necessary hardware.

The roof brackets and hardware may be purchased without the pipe section by ordering a Roof Support Kit (RSK).

The brackets may be assembled to any standard pipe length at any desired height. Locking Bands must be used at each pipe joint when installing either the RSP or RSK.



### SURE-TEMP - TYPE HT

Product No.	Part No.	A	B	Framing
205420	5T-RSP	5"	7"	11" x 1"
206420	6T-RSP	6"	8"	12" x 1"
207420	7T-RSP	7"	9"	13" x 1"
208420	8T-RSP	8"	10"	14" x 1"

### SURE-TEMP

Product No.	Part No.	A	B	Framing
210420	10S-RSP	10"	12"	16" x 1"
212420	12S-RSP	12"	14"	18" x 1"
214420	14S-RSP	14"	16"	20" x 1"

### ROOF SUPPORT KIT

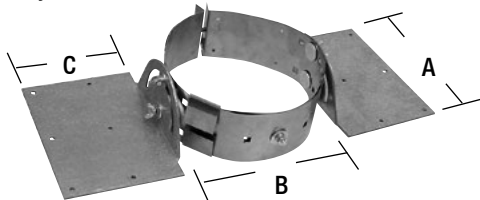
Brackets and mounting hardware only

200420	RSK	(works on all diameters)
--------	-----	--------------------------

**NOTE:** Framing dimension for the installation of the RSK is identical to the RSP dimension. "A" varies with slope.

## Universal Roof Support Assembly

This new design gives you the flexibility of securing the 5, 6, 7 or 8 inch diameter chimney with a heavy duty band. The band allows you to slide the installed length vertically to properly position this section in the system. Installation requirements are the same as our standard RSP. The URSA can hold 30 feet of pipe total – only 20 feet can be below.

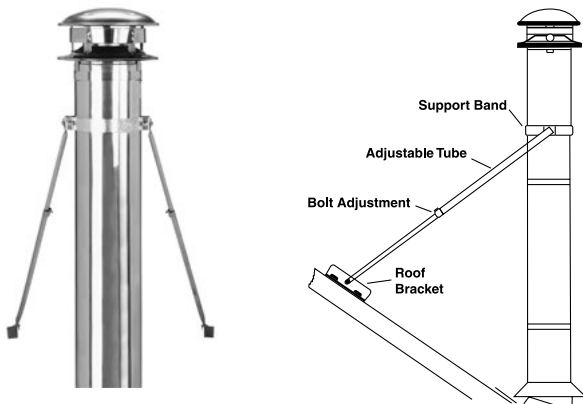


### UNIVERSAL ROOF SUPPORT KIT - 5" - 8" Dia. Pipe

Product No.	Part No.	A	B	C
200250	URSA	8"	Adjustable 7"-10"	5 <sup>3</sup> / <sub>4</sub> "

## Roof Brace Kit

A Roof Brace Kit can be used whenever there is a need to stabilize the chimney above the roof level. The Roof Brace Kit should be used at a midpoint on the chimney. Braces adjust from 4 to 6 feet.



### UNIVERSAL ROOF BRACE KIT

Product No.	Part No.	Dia. Pipe
200240	URBK	5"-14"

Product No.	Part No.	Dia. Pipe
206440	6T-RBK	6"
207440	7T-RBK	7"
208440	8T-RBK	8"

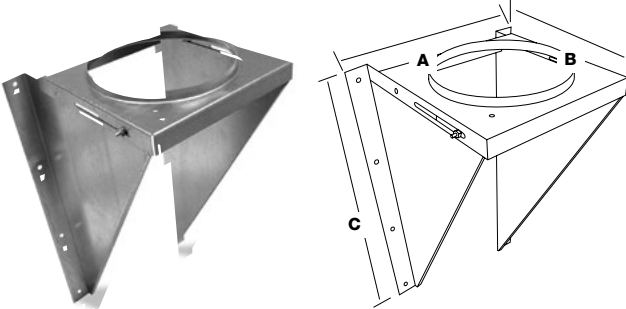
### ROOF BRACE KITS REQUIREMENTS

up to 4'	None
5' to 10'	1
over 10'	1 every 5'

# SUPPORTS

## Wall Support Kit

The Type HT Wall Support Kit has been tested for use fully enclosed and has been designed in 5, 6, 7 and 8 inch sizes to carry up to 60 feet of height at 2" from wall. The capacity of the larger sizes, 10, 12 and 14 inches, is 40 feet of chimney. The Wall Support is intended for use with the Insulated Tee as an interior or exterior support where the chimney has a lateral connection. It is also useful where the pipe connection passes through a combustible interior or exterior wall.



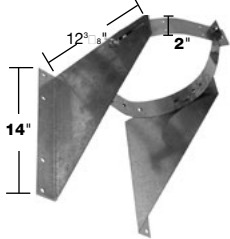
Product No.	Part No.	A	B	C
205430	5T-WSK	12"	10 <sup>5</sup> / <sub>8</sub> "	18 <sup>7</sup> / <sub>8</sub> "
206430	6T-WSK	12"	10 <sup>5</sup> / <sub>8</sub> "	18 <sup>7</sup> / <sub>8</sub> "
207430	7T-WSK	13"	11 <sup>5</sup> / <sub>8</sub> "	20 <sup>1</sup> / <sub>2</sub> "
208430	8T-WSK	14"	12 <sup>5</sup> / <sub>8</sub> "	21 <sup>7</sup> / <sub>8</sub> "
210430	10S-WSK	16"	14 <sup>5</sup> / <sub>8</sub> "	25 <sup>1</sup> / <sub>4</sub> "
212430	12S-WSK	19"	16 <sup>1</sup> / <sub>2</sub> "	23"
214430	14S-WSK	21"	18 <sup>1</sup> / <sub>2</sub> "	27"

**NOTE:** 5"-9" will allow for an adjustment of 2" to 6" from a vertical wall. 10", 12" and 14" are non-adjustable at 2" from a vertical wall.

## Universal Wall Support / Resupport Assembly

Designed to support a vertical wall installation above the tee or above an offset. It can also serve as an intermediate support.

This universal design will work on 5, 6, 7 and 8 inch diameters.



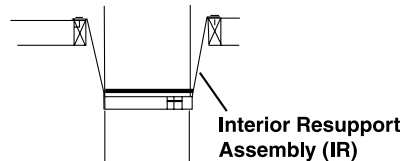
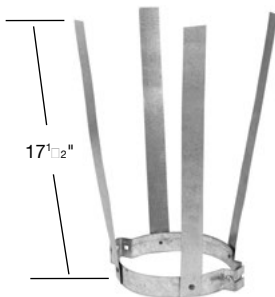
UNIVERSAL WALL SUPPORT/RESUPPORT ASSEMBLY		
Product No.	Part No.	Size
200260	UWRSA	5" - 8" Dia. Pipe

VERTICAL SUPPORT CHART	
Diameter	Height of Support (FT.)
5"	29'
6"	28'
7"	25'
8"	20'

**NOTE:** 4" of horizontal adjustability on 6" diameter pipe

## Interior Resupport

Interior resupport assembly allows for two different methods of chimney resupport. The first method is used at the immediate section of chimney above the upper elbow of an offset. With the appropriate Fire Stop/Joist Shield (JS) in place, clamp the Support Band around chimney and attach with six sheet metal screws. The second means of support is used primarily when the immediate sections of the upper offset do not pass through a joist area and resupport is necessary. The Support Band is clamped around the chimney immediately below a Locking Band. In both methods, the straps are nailed to suitable framing at two inch clearance. The 18 foot limit of supportable chimney length applies.

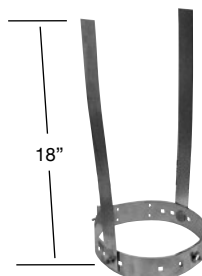


Dia.	Product No.	Part No.
5"	205435	5T-IR
6"	206435	6T-IR
7"	207435	7T-IR
8"	208435	8T-IR
10"	210435	10S-IR
12"	212435	12S-IR
14"	214435	14S-IR

**NOTE:** Straps measure 17<sup>1</sup>/<sub>2</sub>".

## Universal Interior Resupport

Incorporates the flexibility to work on 5, 6, 7 and 8 inch diameters and is an excellent method for resupporting chimney systems that have offsets or vertical runs that require additional support (up to 18 feet).



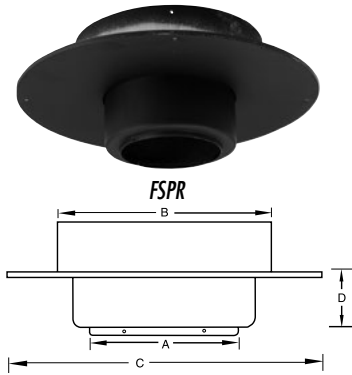
Product No.	Part No.	Size
200230	UIRA	5" - 8" Dia. Pipe

**NOTE:** Straps measure 18".

# SUPPORTS

## Ceiling Supports

The Finish Ceiling Support (FSP) in 5, 6, 7 and 8 inch sizes, is available with either a round or square trim plate. With proper framing, all ceiling supports assure at least 2 inch minimum clearance to combustibles at the support level and can carry up to 50 feet of vertical chimney height.



Black Matte Finish

A		B		C		C		D	
Framing		Sq. Plate		Rnd. Plate				From	
O.D.	Dimensions	Dimensions	Product No.	Part No.	Dimensions	Product No.	Part No.	Part No.	Ceiling
5 1/4"	11 1/4" x 11 1/4"	—	—	—	17"	205411	5T-CSPR	5T-CSPR	3 1/2"
6 1/4"	12 1/4" x 12 1/4"	14 1/4"	206410	6T-FSP	19"	206411	6T-FSPR	6T-FSPR	3 1/2"
7 1/4"	13 1/4" x 13 1/4"	15 1/4"	207410	7T-FSP	21"	207411	7T-FSPR	7T-FSPR	3 1/2"
8 1/4"	14 1/4" x 14 1/4"	16 1/4"	208410	8T-FSP	22"	208411	8T-FSPR	8T-FSPR	3 1/2"



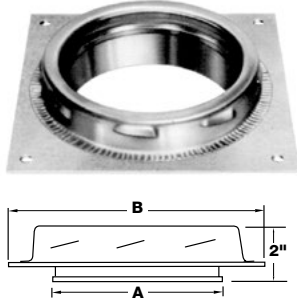
CSP/FSP

		A	B	C	D
		Framing	Plate	From	
Product No.	Part No.	O.D.	Dimensions	Dimensions	Ceiling
210415	10S-CSP	10 1/4"	16 1/4" x 16 1/4"	18 1/2"	3 1/2"

**NOTE:** The Ceiling Support (CSP) in 10" size is unpainted and comes with a square trim plate only.

## Anchor Plate

The Anchor Plate provides a secure attachment for the chimney to smoke chamber outlet on masonry fireplaces, reducing footing loads and speeding construction. Stainless steel and heavy gauge steel construction for long life. Retains chimney with a twist-lock connection.



### ANCHOR PLATE

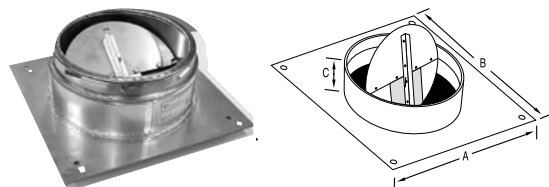
Prod. No.	Part No.	A	B
206400	6T-AP	6"	9 1/4"
207400	7T-AP	7"	10 1/4"
208400	8T-AP	8"	11 1/4"
210400	10S-AP	10"	13 1/4"
212400	12S-AP	12"	15 1/4"
214400	14S-AP	14"	17 1/4"

## Anchor Plate with Damper

Now when installing Selkirk's large diameter chimney on a masonry fireplace, you can use our new Anchor Plate with an easy operating, built-in damper.

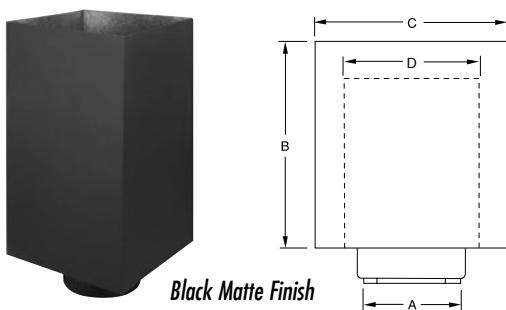
### ANCHOR PLATE W/DAMPER

Product No.	Part No.	A	B	C
210404	10S-APD	16"	16"	5.13"
212404	12S-APD	18"	18"	5.13"
214404	14S-APD	20"	20"	5.13"



## Support Box / Cathedral Ceiling / Mobile Home Support

The Support Box is intended for use when installing chimney in an A-frame, in a mobile home, or in a ceiling under a narrow section of roof. It provides a finished installation at the ceiling level and will support up to 20 feet of 6, 7 or 8 inch diameter chimney. The part also provides shielding from insulation when installed in an unoccupied attic space. The Support Box assembly is comprised of a black box designed for installation inside 16 inch O.C. joists, a cylindrical shield, support bucket, ceiling trim, and four screws.



Black Matte Finish

Product No.	Part No.	A	B	C	D
206424	6T-SB	6 1/4"	24"	14 1/4"	10"
207424	7T-SB	7 1/4"	24"	14 1/4"	11"
208424	8T-SB	8 1/4"	24"	14 1/4"	12"

# SURE-TEMP® CHIMNEY KITS

## Roof Termination Kit (RTK)

Includes the basic components for a standard installation. Contents: CT, AF-6 & SC

Product No.	Part No.	Dia.	Description
206600	6T-RTK	6"	Roof Termination Kit (2/12 - 6/12)
208600	8T-RTK	8"	Roof Termination Kit (2/12 - 6/12)



## SURE-TEMP HT CHIMNEY KITS

Three basic Chimney Kits designed around one of the standard support systems. Select the kit that is right for your installation along with the required insulated pipe sections and you'll have what you need to complete most installations.

### Flat Ceiling Support Kit (FCK)

Provides the support package and termination parts for a chimney that is supported by a flat ceiling and passes through an attic area and penetrates a 2/12 to 6/12 pitch roof. Just add Pipe Lengths and the Flat Ceiling Support Kit (FCK) has all necessary parts for complete installation. However, depending upon your roof design and the position of your chimney on the roof, it may be necessary to install a Roof Brace Kit to provide required support for your chimney above the roof.

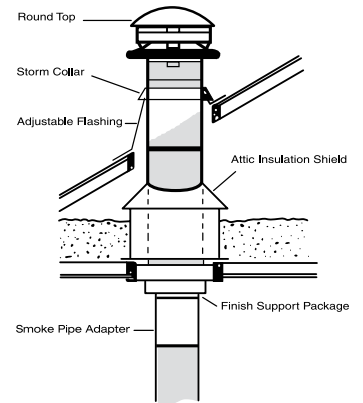
An Attic Insulation Shield is a required part of the installation even if you have no insulation in the area where your chimney passes through the attic. The only exception to this AIS installation is if you install a full enclosure around the chimney in the attic area at the minimum two inch clearance.

Product No.	Part No.	Dia.	Description
206620	6T-FCK	6"	Flat Ceiling Support Kit
208620	8T-FCK	8"	Flat Ceiling Support Kit



**Contents:**

Round Top	CT
Attic Insulation Shield	AIS
Storm Collar	SC
Finish Support Pkg.	FSP
Adjustable Flashing	AF-6
Smoke Pipe Adapter	DSAC



### Pitched Ceiling Support Kit (PCK)

For installation of a chimney in a cathedral or pitched ceiling such as standard A-Frame construction.

The Pitched Ceiling Support Kit provides all necessary parts for a complete installation with the exception of the required Insulated Pipe Lengths and Adjustable Flashing (AF). Selection of the Adjustable Flashing is determined by the pitch of your roof as explained on page 10.

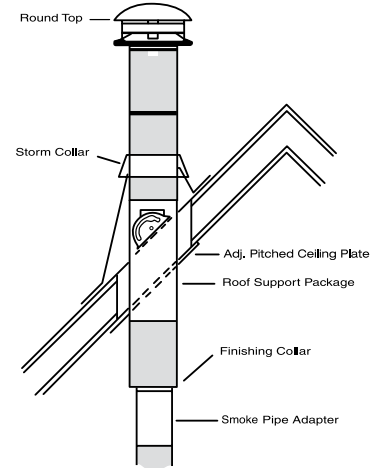
In calculating the number of insulated Pipe Lengths your chimney run requires, note that the Roof Support Package (RSP) comes with one 18" pipe length as part of the support.

Product No.	Part No.	Dia.	Description
206621	6T-PCK	6"	Pitched Ceiling Support Kit
208621	8T-PCK	8"	Pitched Ceiling Support Kit



**Contents:**

Round Top	CT
Storm Collar	SC
Finishing Collar	FC
Roof Support Pkg.	RSP
Adj. Pitched Ceiling Plate	PCPAJ
Smoke Pipe Adapter	DSAC



### Thru-the-Wall Support Kit (TWK)

For a wall-supported chimney system with a horizontal connector passing through an exterior wall, connecting to a Tee and running vertically up the exterior wall to termination above the roof line. The Thru-the-Wall Support Kit provides all necessary parts for a complete installation with the exception of required Insulated Pipe Lengths to reach your desired chimney height.

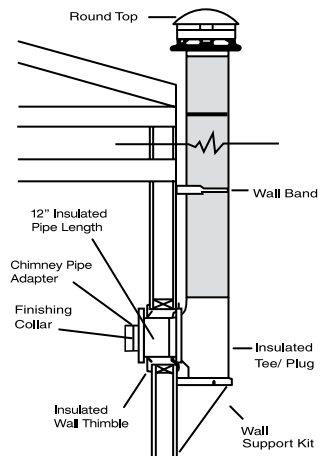
One Wall Band (WB) is included in the kit. Additional Wall Bands could be required if your vertical chimney run is more than 16 feet high. In the event that your vertical chimney run penetrates the roof eave, your installation could also require an Adjustable Flashing (AF) and Storm Collar (SC).

Product No.	Part No.	Dia.	Description
206622	6T-TWK	6"	Thru-the-Wall Support Kit
208622	8T-TWK	8"	Thru-the-Wall Support Kit



**Contents:**

Round Top	CT
12" Insulated Pipe Length	T-12
Wall Band	WB
Insulated Tee/Plug	IT
Finishing Collar	FC
Wall Support Kit	WSK
Chimney Pipe Adapter	CPA
Insulated Wall Thimble	IWT



**USE DSP STOVE PIPE FOR OPTIMUM SYSTEM PERFORMANCE**



# TERMINATIONS AND FLASHINGS

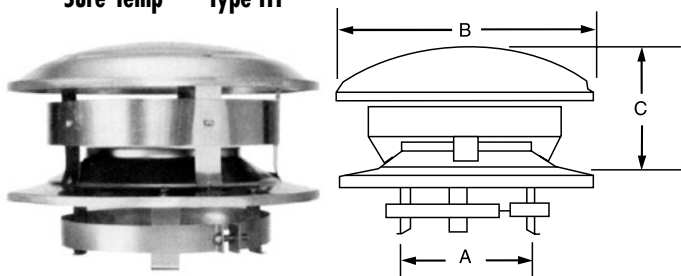
## Round Top

Part of the chimney system roof assembly, the Round Top is designed with a dome to exclude rain and leaves and a lower skirt to deflect wind for proper chimney draft.

In the Sure-Temp-Type HT Chimney (5", 6", 7" and 8" sizes) the Round Top is designed with three legs that slide down over the outside of the chimney. A cinch band is then positioned over the legs and tightened to hold the top firmly in place. This design makes cap removal for cleaning a breeze.

In the 10, 12 and 14 inch sizes, the Round Top is designed with a squeeze collar that fits inside the chimney pipe. The squeeze collar expands as a set screw is tightened to hold the top firmly in place.

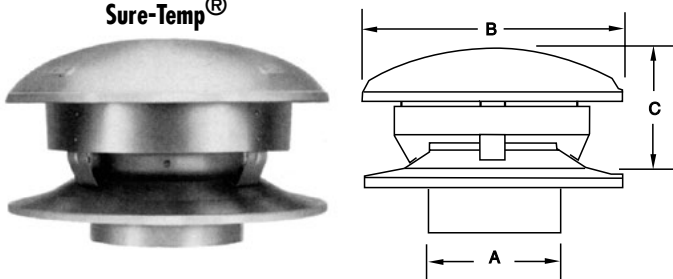
**Sure-Temp® - Type HT**



*Sure-Temp-Type HT*

<i>Product No.</i>	<i>Part No.</i>	<i>A</i>	<i>B</i>	<i>C</i>
205800	5T-CT	7"	10"	5"
206800	6T-CT	8"	12"	5½"
207800	7T-CT	9"	14"	6¼"
208800	8T-CT	10"	16"	7"

**Sure-Temp®**



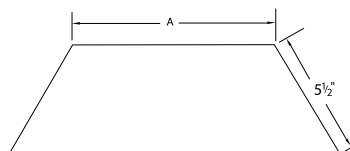
*Sure-Temp*

<i>Product No.</i>	<i>Part No.</i>	<i>A</i>	<i>B</i>	<i>C</i>
210800	10S-CT	10"	20"	8½"
212800	12S-CT	12"	24"	10"
214800	14S-CT	14"	28"	11½"

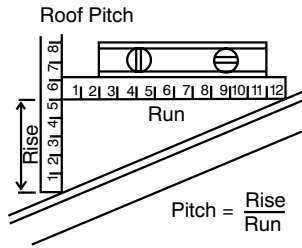
## Storm Collar

The Storm Collar is designed to fit on the round chimney pipe just above the roof flashing. The upper edge of the Storm Collar should be waterproofed with silicone sealer to prevent any water from leaking between the Storm Collar and chimney pipe. Part is tightened with adjusting screws or tabs after proper positioning.

<i>Product No.</i>	<i>Part No.</i>	<i>A</i>	<i>Product No.</i>	<i>Part No.</i>	<i>A</i>
206810	5/6T-SC	8"	210810	10S-SC	12"
208810	7/8T-SC	10"	212810	12S-SC	14"
			214810	14S-SC	16"



# FLASHINGS FOR VARIOUS ROOF PITCHES

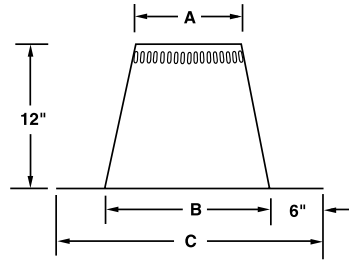
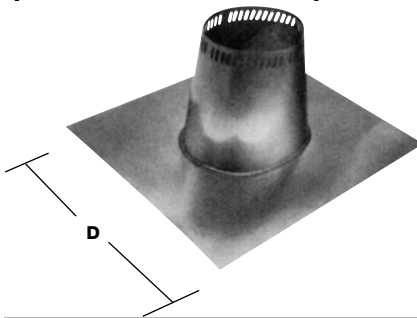


Flashings are used to seal the opening where the chimney penetrates the roof and to divert rain and snow down from the roof and away from the chimney system.

A series of adjustable flashings are available depending on your roof pitch. A flat and low pitch flashing is used to seal flat and low pitch roof (up to 2/12 pitch) openings.

To determine your roof pitch, measure the number of inches from the end of a level 12" ruler down to the roof. This is the rise for 12 inches of run. A rise of 5 inches is a 5/12 pitch. .4 inches, a 4/12 pitch, etc.

## Flat and Low Pitch Flashing (0 To 2/12 Pitch)



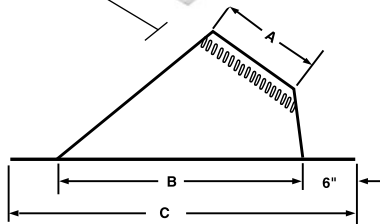
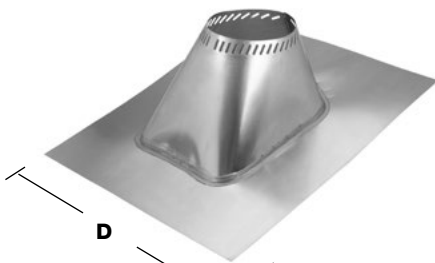
### 0 To 2/12 Pitch

Product No.	Part No.	A	B	C	D
206815	6TF	8 $\frac{1}{8}$ "	12"	24 $\frac{3}{4}$ "	21"
207815	7TF	9 $\frac{1}{8}$ "	15 $\frac{3}{4}$ "	27 $\frac{3}{4}$ "	24"
208815	8TF	10 $\frac{1}{8}$ "	15 $\frac{3}{4}$ "	27 $\frac{3}{4}$ "	24"
210815	10S-TF	12 $\frac{1}{8}$ "	17 $\frac{3}{4}$ "	29 $\frac{3}{4}$ "	29 $\frac{3}{4}$ "
212815	12S-TF	14 $\frac{1}{8}$ "	20"	32"	32"
214815	14S-TF	16 $\frac{1}{8}$ "	22 $\frac{1}{4}$ "	34 $\frac{1}{4}$ "	34 $\frac{1}{4}$ "

**NOTE:** All TF flashings come with a roof shield set.

## Adjustable Flashing

Safety Vents on all Flashings



### 2/12 To 6/12 Pitch

Product No.	Part No.	A	B	C	D
206825	6TAF-6	8 $\frac{1}{8}$ "	16 $\frac{1}{2}$ "	28 $\frac{1}{2}$ "	24"
207825	7TAF-6	9 $\frac{1}{8}$ "	16 $\frac{1}{2}$ "	28 $\frac{1}{2}$ "	24"
208825	8TAF-6	10 $\frac{1}{8}$ "	19 $\frac{1}{8}$ "	31 $\frac{1}{8}$ "	27"
210825	10SAF-6	12 $\frac{1}{8}$ "	19 $\frac{1}{8}$ "	31 $\frac{1}{8}$ "	27"
212825	12SAF-6	14 $\frac{1}{8}$ "	19 $\frac{1}{8}$ "	36 $\frac{3}{8}$ "	36"
214825	14SAF-6	16 $\frac{1}{8}$ "	19 $\frac{1}{8}$ "	36 $\frac{3}{8}$ "	36"

### 6/12 To 12/12 Pitch

Product No.	Part No.	A	B	C	D
206830	6TAF-12	8 $\frac{1}{8}$ "	19 $\frac{7}{8}$ "	31 $\frac{1}{8}$ "	27"
207830	7TAF-12	9 $\frac{1}{8}$ "	19 $\frac{7}{8}$ "	31 $\frac{1}{8}$ "	27"
208830	8TAF-12	10 $\frac{1}{8}$ "	19 $\frac{7}{8}$ "	31 $\frac{1}{8}$ "	27"
210830	10SAF-12	12 $\frac{1}{8}$ "	25 $\frac{1}{2}$ "	37 $\frac{1}{2}$ "	36"
212830	12SAF-12	14 $\frac{1}{8}$ "	28 $\frac{1}{2}$ "	40 $\frac{1}{2}$ "	36"
214830	14SAF-12	16 $\frac{1}{8}$ "	31 $\frac{1}{2}$ "	43 $\frac{1}{2}$ "	36"

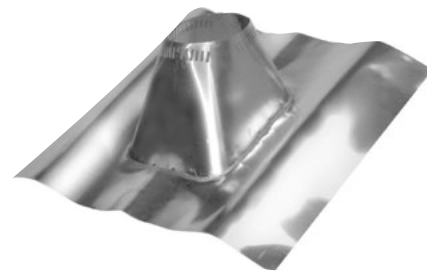
### 12/12 To 24/12 Pitch

Product No.	Part No.	A	B	C	D
206835	6TAF-24	8 $\frac{1}{8}$ "	28 $\frac{3}{4}$ "	40 $\frac{3}{4}$ "	24"
207835	7TAF-24	9 $\frac{1}{8}$ "	31 $\frac{1}{4}$ "	43 $\frac{1}{4}$ "	24"
208835	8TAF-24	10 $\frac{1}{8}$ "	33 $\frac{3}{8}$ "	45 $\frac{3}{8}$ "	24"

### 24/12 To 36/12 Pitch

Product No.	Part No.	A	B	C	D
206840	6TAF-36	8 $\frac{1}{8}$ "	41 $\frac{1}{4}$ "	53 $\frac{1}{4}$ "	24"
207840	7TAF-36	9 $\frac{1}{8}$ "	44 $\frac{1}{8}$ "	56 $\frac{1}{4}$ "	24"
208840	8TAF-36	10 $\frac{1}{8}$ "	47 $\frac{1}{4}$ "	59 $\frac{1}{4}$ "	24"

**NOTE:** For 5 inch chimney use 6 inch Selkirk® Flashing with  $\frac{1}{8}$  inch storm collar. All Flashings have .025 Aluminum Bases.

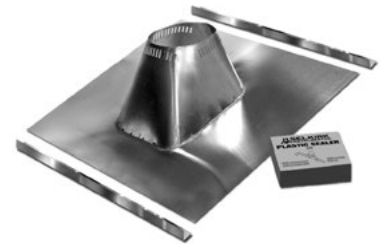


### Universal Rubber Boot Flashing Kit

Fits Up To 12/12 Pitch

Product No.	Part No.	Description
200275	URBAK	for 5"-8" diameter chimney

**NOTE:** Used for installations on corrugated roofs flat to 12/12 pitch. Kit includes rubber boot (23 $\frac{1}{8}$ " x 21 $\frac{1}{2}$ " ), spacers kit, special storm collar, and mounting screws.



### Universal Metal Roof Flashing Kit

Product No.	Part No.
200280	URFK

**NOTE:** Used in conjunction with a standard Selkirk Flashing to seal the opening when penetrating a corrugated metal roof. *Flashing sold separately.*

### Dead Soft Flashing 2/12 To 6/12 Pitch

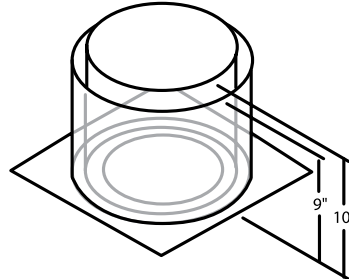
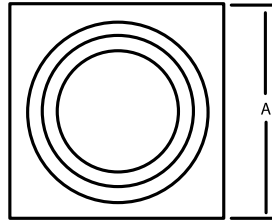
Product No.	Part No.	A	B	C	D
206845	6T-AF6D	8 $\frac{1}{8}$ "	16 $\frac{1}{2}$ "	30"	33"
207845	7T-AF6D	9 $\frac{1}{8}$ "	16 $\frac{1}{2}$ "	30"	33"
208845	8T-AF6D	10 $\frac{1}{8}$ "	19 $\frac{1}{8}$ "	30"	33"

**NOTE:** Dead Soft Aluminum base is designed to be molded to uneven roof surfaces.

# SHIELDS

## Attic Insulation Shield

The Insulation Shield is required to guard against the hazard of blown-in or blanket insulation filling any framed opening or contacting the chimney and possible contact of combustibles against the chimney.

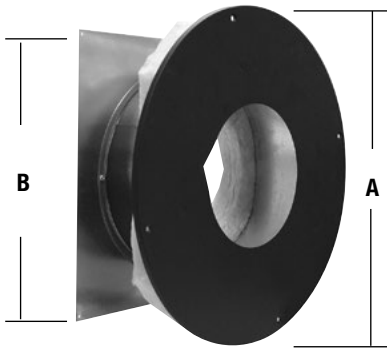


Product No.	Part No.	A
205490	5T-AIS	13"
206490	6T-AIS	14"
207490	7T-AIS	15"
208490	8T-AIS	16"
210490	10S-AIS	18"
212490	12S-AIS	20"
214490	14S-AIS	22"

**NOTE:** Add SUSI to this part for increased performance and safety.

## Insulated Wall Thimble

Our Insulated Wall Thimble installs quickly and eliminates the need for using individual firestops. Interior plate has black matte finish. The round shielding acts as a radiation shield and provides the required two inch airspace clearance to combustibles. The two sections telescope to accommodate 6 to 11 inch wall thickness.

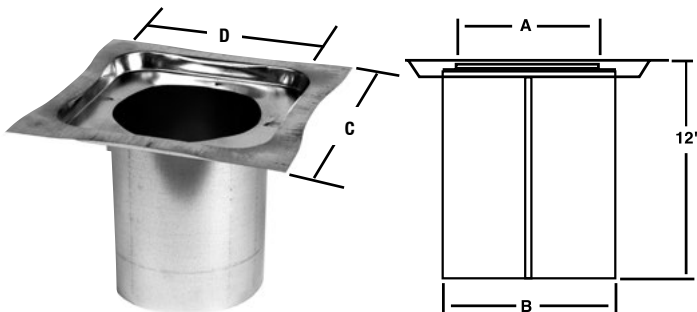


Product No.	Part No.	A	B	Opening Required
205463	5T-IWT	17"	16"	11 $\frac{1}{8}$ " by 11 $\frac{1}{8}$ "
206463	6T-IWT	19"	16"	12 $\frac{1}{8}$ " by 12 $\frac{1}{8}$ "
207463	7T-IWT	21"	16"	13 $\frac{1}{8}$ " by 13 $\frac{1}{8}$ "
208463	8T-IWT	22"	16"	14 $\frac{1}{8}$ " by 14 $\frac{1}{8}$ "
210463	10S-IWT	24"	18 $\frac{1}{4}$ "	16 $\frac{1}{8}$ " by 16 $\frac{1}{8}$ "
212463	12S-IWT	20"	20"	18 $\frac{1}{8}$ " by 18 $\frac{1}{8}$ "
214463	14S-IWT	24"	24"	20 $\frac{1}{8}$ " by 20 $\frac{1}{8}$ "

**NOTE:** 12" and 14" are uninsulated. Add SUSI to this part for increased performance and safety.

## Firestop / Joist Shield

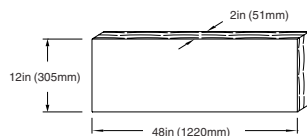
Used in floor/ceiling penetrations other than those which include a ceiling support or attic insulation shield. Not required when passing through roof.



Product No.	Part No.	Dia.	A	B	C	D
205465	5T-JS	5"	7 $\frac{1}{8}$ "	9"	13"	11"
206465	6T-JS	6"	8 $\frac{1}{8}$ "	10"	14"	12"
207465	7T-JS	7"	9 $\frac{1}{8}$ "	11"	15"	13"
208465	8T-JS	8"	10 $\frac{1}{8}$ "	12"	16"	14"
210465	10S-JS	10"	12 $\frac{1}{8}$ "	14"	18"	16"
212465	12S-JS	12"	14 $\frac{1}{8}$ "	16"	20"	18"
214465	14S-JS	14"	16 $\frac{1}{8}$ "	18"	22"	20"

## SUSI (Selkirk Universal Shielding Insulation)

Optional insulation for use with the Support Box, Attic Insulation Shield and Insulated Wall Thimble. The SUSI protects building materials against radiant heat from the chimney and helps maintain temperatures within the chimney system. The SUSI also stops air infiltration into the dwelling. The **only** insulation approved for use with the Selkirk Chimney System.



### Universal Shielding Insulation

Product No.	Part No.
200001	SUSI

# ADAPTERS

## Dripless Stove Pipe Adapters

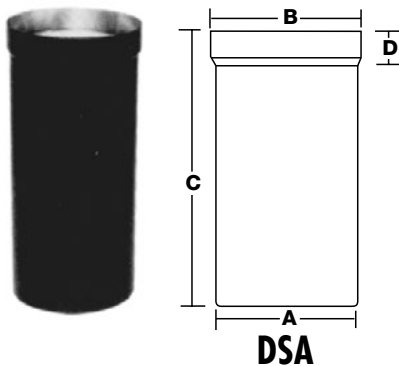
Dripless Stove Pipe Adapters are used to connect single wall stove pipe to Sure-Temp® Systems. Dripless Stove Pipe Adapters are designed to slip inside single wall stove pipe to contain any creosote dripping down the chimney to inside the stove pipe. There are two Dripless Stove Pipe Adapters:

**Dripless Smoke Pipe Adapter (DSA)**—For use in retrofit installations, this part can be installed from below with a Finish Support Package and secured with screws.

### DRIPLESS SMOKE PIPE ADAPTER

Product No.	Part No.	A	B	C	D
206242	6T-DSA	5 <sup>15</sup> / <sub>16</sub> "	6 <sup>7</sup> / <sub>32</sub> "	15 <sup>3</sup> / <sub>4</sub> "	1 <sup>5</sup> / <sub>8</sub> "
207242	7T-DSA	6 <sup>15</sup> / <sub>16</sub> "	7 <sup>7</sup> / <sub>32</sub> "	15 <sup>3</sup> / <sub>4</sub> "	1 <sup>5</sup> / <sub>8</sub> "
208242	8T-DSA	7 <sup>15</sup> / <sub>16</sub> "	8 <sup>7</sup> / <sub>32</sub> "	15 <sup>3</sup> / <sub>4</sub> "	1 <sup>5</sup> / <sub>8</sub> "

**NOTE:** DSA is 316 Stainless Steel

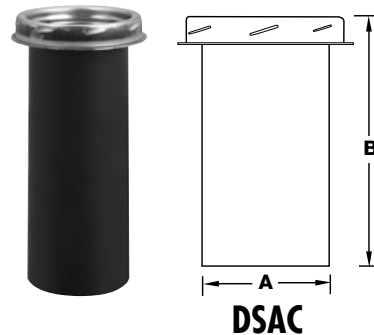


**Dripless Smoke Pipe Adapter w/Coupler (DSAC)**—For use in new installations, this part can be installed by twist-locking the coupler on the DSAC into the first section of Sure-Temp®-Type HT chimney pipe.

### DRIPLESS SMOKE PIPE ADAPTER w/COUPLER

Product No.	Part No.	A	B
206240	6T-DSAC	5 <sup>15</sup> / <sub>16</sub> "	15 <sup>3</sup> / <sub>4</sub> "
207240	7T-DSAC	6 <sup>15</sup> / <sub>16</sub> "	15 <sup>3</sup> / <sub>4</sub> "
208240	8T-DSAC	7 <sup>15</sup> / <sub>16</sub> "	15 <sup>3</sup> / <sub>4</sub> "

**NOTE:** DSAC is 430 Stainless Steel



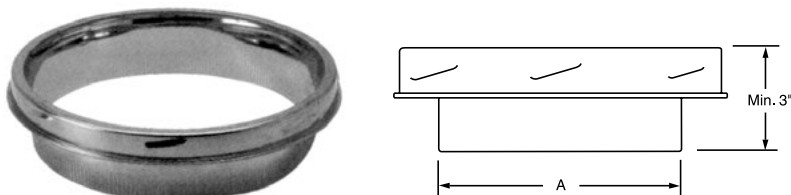
## Chimney Pipe Adapter

The Chimney Pipe Adapter is used to connect Sure-Temp® to either Double Wall or Single Wall Stove Pipe. The 6" and 8" CPAs provide proper connection to Model DS – Selkirk's Double Wall, Close Clearance Connector Pipe.

### CHIMNEY PIPE ADAPTER

Product No.	Part No.	A
205240	5T-CPA	4 <sup>15</sup> / <sub>16</sub> "
256240*	6T/DSP-CPA	5 <sup>15</sup> / <sub>16</sub> "
258240*	8T/DSP-CPA	7 <sup>15</sup> / <sub>16</sub> "
210240	10S-CPA	9 <sup>15</sup> / <sub>16</sub> "
212240	12S-CPA	11 <sup>15</sup> / <sub>16</sub> "
214240	14S-CPA	13 <sup>15</sup> / <sub>16</sub> "

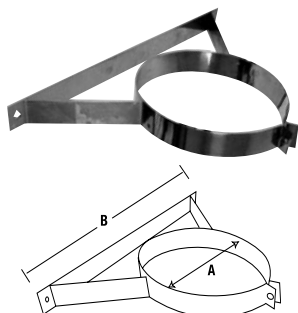
\***NOTE:** Refers to DSP Double Wall Stove Pipe. Finishing Band sold separately (DSP-FB).



# ACCESSORIES

## Wall Band

The Wall Band is used along the wall to provide for two inch clearance and assure stability. Also useful for suspending offsets. Required at 8 foot or closer intervals to stabilize the chimney, wherever it is supported along a vertical wall.



### STAINLESS STEEL

Product No.	Part No.	A	B
205520	5T-WB	7"	17"
206520	6T-WB	8"	17"
207520	7T-WB	9"	17"
208520	8T-WB	10"	17"

Product No.	Part No.	A	B
210520	10S-WB	12"	17"
212520	12S-WB	14"	18"
214520	14S-WB	16"	20"

## Universal Wall Band

Our new Universal Adjustable Wall Band (UWB) has more than 4" of horizontal adjustability (on 6" diameter chimney pipe) to clear many overhangs and obstructions. Fits 5", 6", 7" and 8" diameter chimney pipe.



### UNIVERSAL

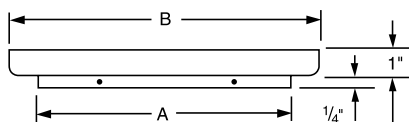
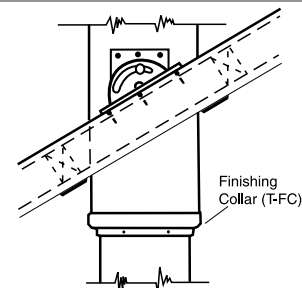
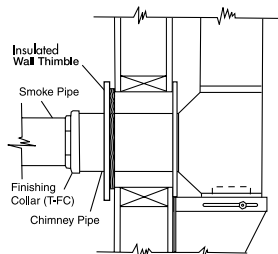
Product No.	Part No.
200270	UWB

## Finishing Collar

The Finishing Collar fits over lower end of suspended insulated chimney pipe to provide finished appearance. Used to attach T-DSA Smoke Pipe Adapter to lower end of chimney or to insulated Tee.



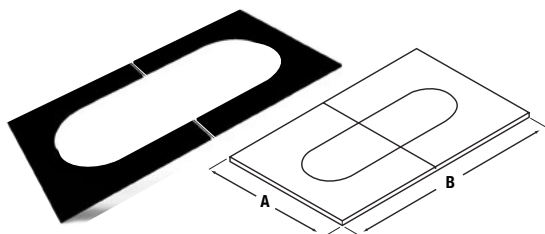
Black Matte Finish



Product No.	Part No.	A	B
206480	6T-FC	6 1/4"	8"
207480	7T-FC	7 1/4"	9"
208480	8T-FC	8 1/4"	10"

## Adjustable Pitched Ceiling Plate

The Pitched Ceiling Plate provides a finished appearance where the chimney passes through a sloped ceiling. Only two parts required to fit the full range of pitches.



Black Matte Finish

### 0/12 - 6/12 PITCH

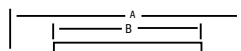
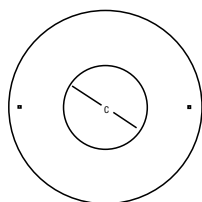
Size	Product No.	Part No.	A	B
5"	205512	5T-PCPAJ	15 1/2"	18 - 29"
6"	206512	6T-PCPAJ	16 1/2"	19 - 30"
7"	207512	7T-PCPAJ	17 1/2"	20 - 31"
8"	208512	8T-PCPAJ	18 1/2"	21 - 33"
10"	210512	10S-PCPAJ	20 1/2"	23 - 37"
12"	212512	12S-PCPAJ	22 1/2"	25 - 41"
14"	214512	14S-PCPAJ	24 1/2"	27 - 45"

### 6/12 - 12/12 PITCH

Size	Product No.	Part No.	A	B
6"	206514	6T-PCPAJ2	16 1/2"	19 - 30"
7"	207514	7T-PCPAJ2	17 1/2"	20 - 31"
8"	208514	8T-PCPAJ2	18 1/2"	21 - 33"
10"	210514	10S-PCPAJ2	20 1/2"	23 - 37"
12"	212514	12S-PCPAJ2	22 1/2"	25 - 41"
14"	214514	14S-PCPAJ2	24 1/2"	27 - 45"

## Trim Plate Spacer

Used to trim ceiling and close off airspace around the pipe, which is supported from above, extending down into the room. Use in conjunction with the Firestop/Joist Shield.



Black Matte Finish

Product No.	Part No.	Dia.	A	B	C
206488	5T-TPS	5"	17"	11"	7 7/8"
206488	6T-TPS	6"	19"	12"	8 7/8"
207488	7T-TPS	7"	21"	13"	9 7/8"
208488	8T-TPS	8"	22"	14"	10 7/8"

# TYPICAL CHIMNEY INSTALLATIONS

Short or tall, large or small, there is a Sure-Temp Chimney System to suit every need or appliance. The following diagrams are intended as guides to proper part selection for several common chimney installations. Keep in mind these diagrams do not show the exact details for installation of the various chimney parts. They supplement the instructions by illustrating a wider variety of complete chimney systems. While the primary emphasis in the diagrams is on solid-fuel appliances, the type of appliance originally selected must never affect the installation of the chimney.

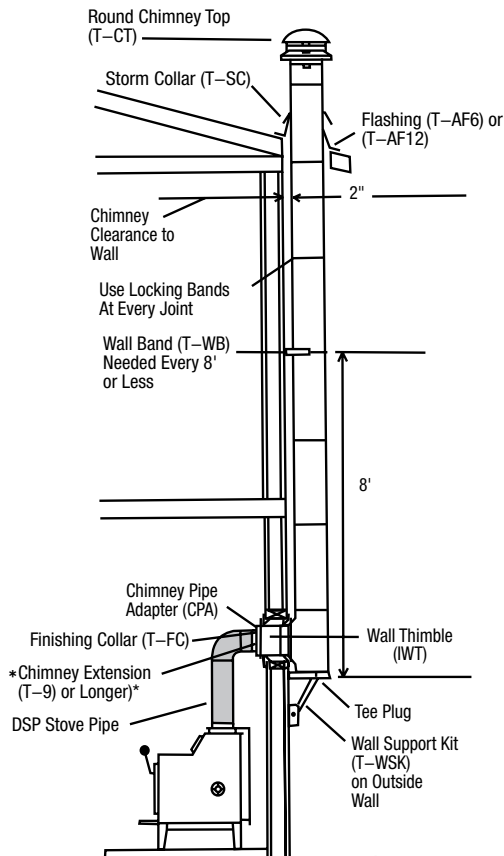
Whether the chimney is initially connected to a gas, oil or wood-burning appliance, the parts used and clearances to combustibles are always the same. Remember that at some future time, the same chimney may serve a wood furnace, even if it started out with gas or oil.

1. Maintain the minimum 2" AIRSPACE clearance to combustibles and to any insulation except SUSI.

2. For joint security—use Locking Bands or screws for the chimney and its connector.

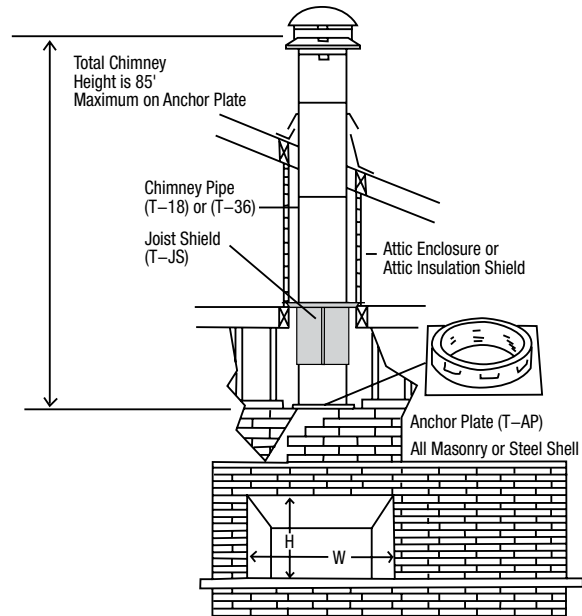
**NOTE:** The drawings shown of these installations are solely for assistance in product selection. Reference should be made to the Sure-Temp Chimney System installation instructions for full and exact details of a correct installation.

## 6. Basement Heater with Tee-supported outside chimney

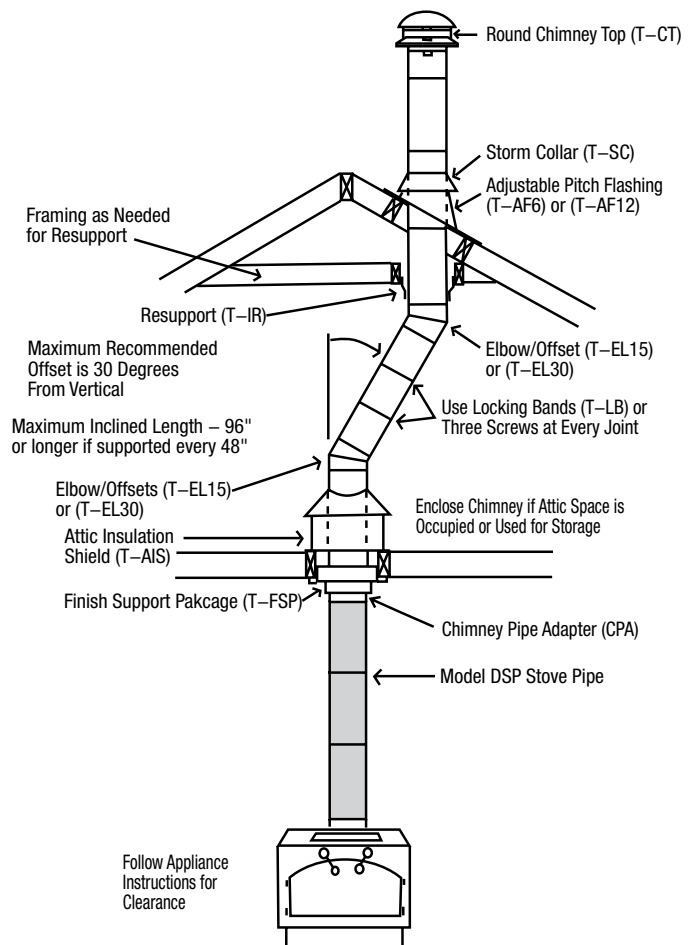


\*The end of the chimney section must extend into the room a minimum of 4-1/2" beyond the face of the wall.

## 8. Masonry Fireplace using Sure-Temp® Chimney



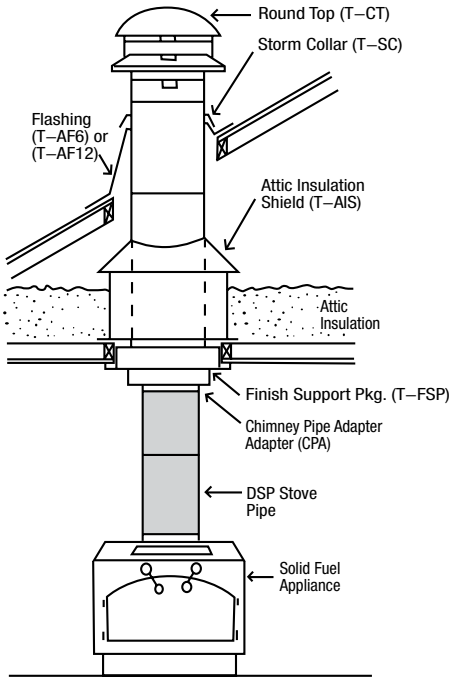
## 7. Wood Stove with chimney offset to avoid ridge



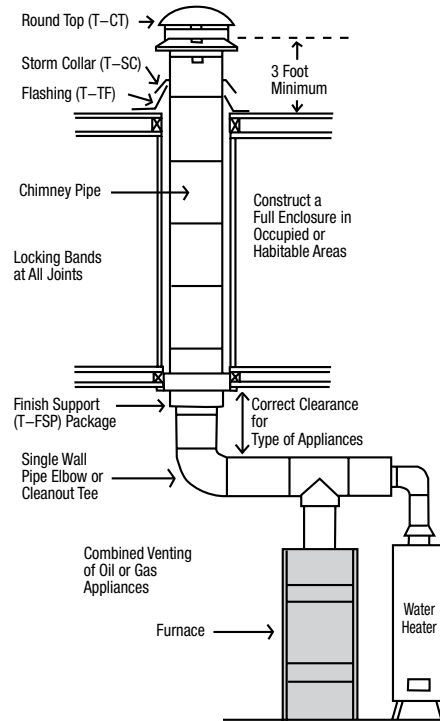
Follow Appliance Instructions for Clearance

# TYPICAL CHIMNEY INSTALLATIONS

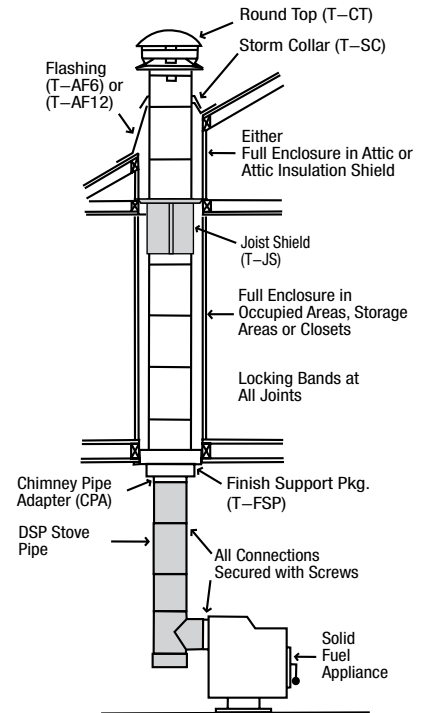
## 1. Solid Fuel Appliance with a short vertical chimney



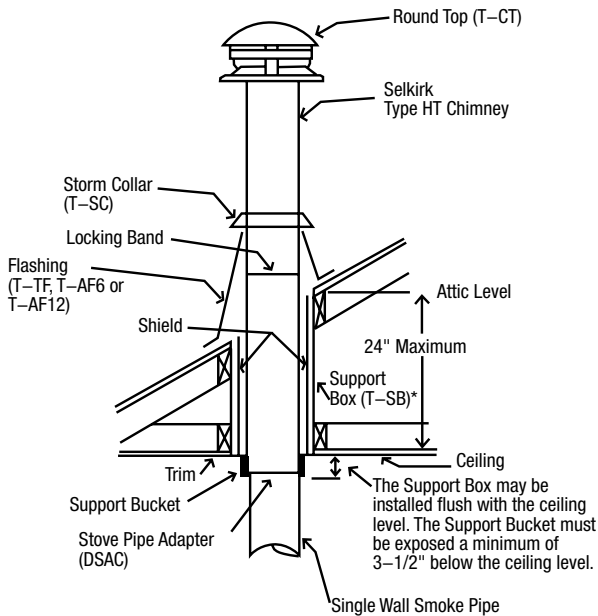
## 2. Combination of Furnace and Water Heater on one chimney



## 3. Wood Heater with its chimney through an upstairs enclosure

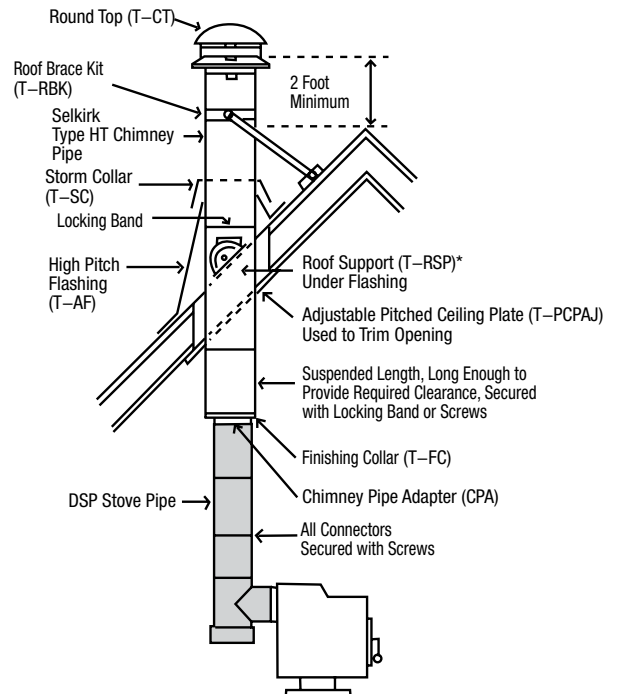


## 4. Pitched Roof with Attic



\* Support box also intended for use in mobile home and A-frame installations.

## 5. A-Frame with chimney on a steep pitch roof



\* Support Box may also be used. Please consult installation instructions for more information.

### NOTE ON CHIMNEY/STOVE PIPE CONNECTIONS:

Diagrams on pages 14 and 15 show Sure-Temp Temp Chimney Systems connected to Selkirk DSP Double-Wall Stove Pipe using the Chimney Pipe Adapter. Sure-Temp Chimneys may be connected to Single-Wall Stove Pipe using either DSA, DSAC or CPA.

# From Appliance to Rooftop

## THE COOLEST UNDER THE HOTTEST CONDITIONS



When independently tested at 2100° F in accordance with the UL 103HT chimney test

protocol, "The Selkirk Sure-Temp Chimney exhibited the coolest (outer skin) temperatures..." Not surprising! Our unique insulation is designed and is thoroughly tested to meet our own strict internal standards before being pressure packed into each chimney section, ensuring a 100% fill. This special blend of insulation allows Sure-Temp Chimneys to outperform the major brands tested at containing heat and controlling heat surge. These characteristics ensure that Sure-Temp Chimneys maintain higher internal flue temperatures, creating a stronger draft and reducing the potential for creosote formation...the leading cause of chimney fires.

## IMPROVED FEATURE FOR TYPE "B" RV GAS VENTS



- Snap together non-positional lock system
- Die formed ends
- For venting gas fired appliances, water heaters, furnaces, stoves, etc.



Selkirk Type "B" Gas Vent assembles with a snap and our non-positional lock system rotates 360° to easily handle offsets. Die formed ends ensure consistency of the double wall construction which provides a built-in airspace that keeps the heat in. This creates a quick, strong vent action, enhancing appliance performance. The use of our new LockTab® feature gives installers the option of engaging this tab instead of using sheet metal screws.

## USE DSP STOVE PIPE FOR OPTIMUM CHIMNEY SYSTEM PERFORMANCE



Model DSP is a connector pipe that links your wood stove or oil fired appliance to an insulated chimney. The connector is an important component to these systems because its correct size, arrangement and

installation improve the performance and safety of the heating system. The inner liner of Model DSP is made from corrosion resistant 400 series stainless steel. Together with the stainless steel insulated chimney this combination forms an all-stainless steel system to help your appliance perform safely and efficiently. The Double Wall Stove Pipe is listed to ULC S-641 and UL 103 Standards-your guarantee of safety.

COMPLETE CHIMNEY AND VENTING SYSTEMS FOR YOUR HOME.



# SELKIRK®

5030 Corporate Exchange Blvd.  
Grand Rapids, MI 49512  
Toll Free: 1.800.992.VENT (8368)  
www.selkirkcorp.com