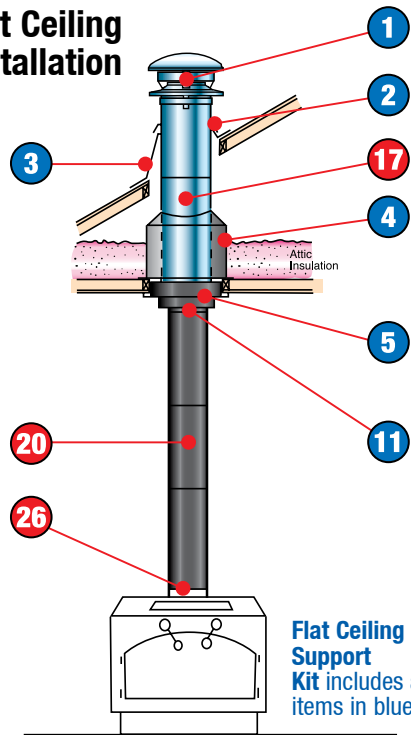




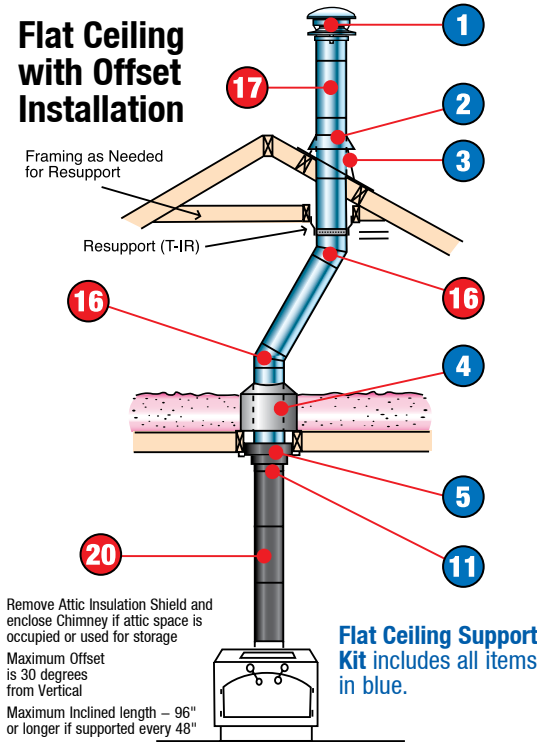
(Installations may vary. Please refer to the installation instructions @ www.selkirkcorp.com)

## Step 1 Select type of installation by determining where your chimney will run.

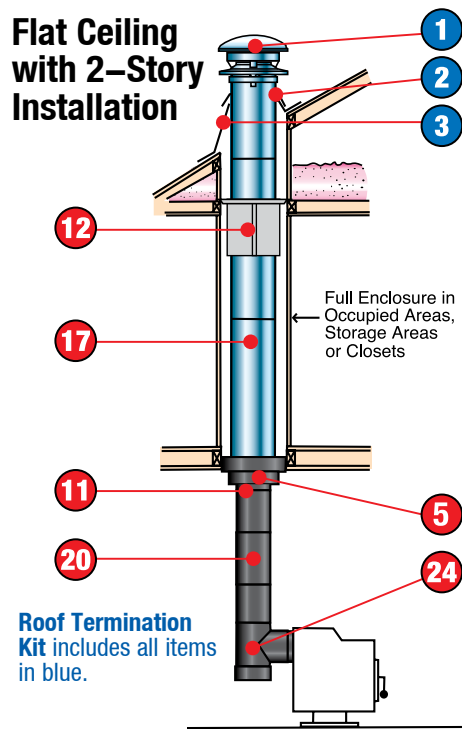
### Flat Ceiling Installation



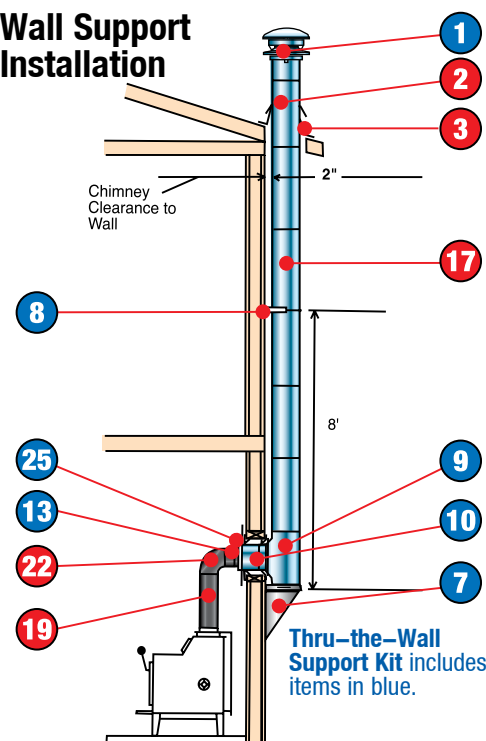
### Flat Ceiling with Offset Installation



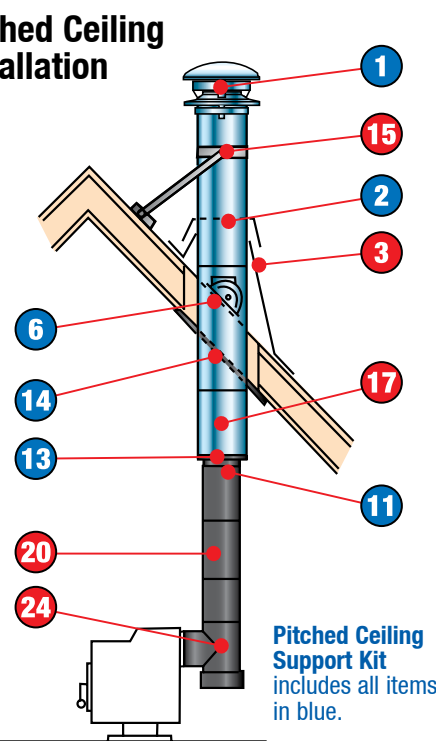
### Flat Ceiling with 2-Story Installation



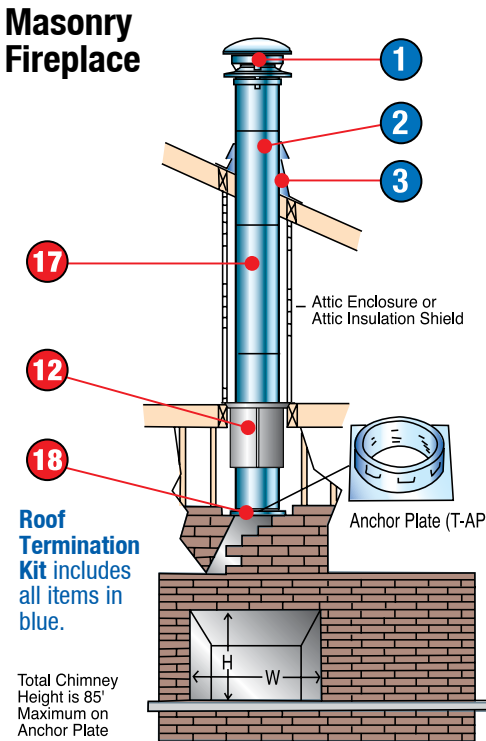
### Wall Support Installation



### Pitched Ceiling Installation



### Masonry Fireplace



## Installation Planning Worksheet

SCS CHIMNEY	PRICE	QTY	TOTAL
<b>Chimney Kits</b>			
Roof Termination Kit (T-RTK) includes; 1, 2, 3 (T-AF6)	\$	X	=
Flat Ceiling Kit (T-FCK) includes; 1, 2, 3 (T-AF6), 4, 5, 11	\$	X	=
Pitched Ceiling Kit (T-PCK) includes; 1, 2, 6, 11, 13, 14	\$	X	=
Thru-the-Wall Kit (T-TWK) includes; 1, 7, 8, 9, 10, 13, 17 (T-12), 25	\$	X	=
<b>1 Round Top (T-CT)</b>	\$	X	=
<b>2 Storm Collar (T-SC)</b>	\$	X	=
<b>3 Roof Flashing (See Step 4)</b>			
Adjustable 2/12 to 6/12 (T-AF6)	\$	X	=
Adjustable 6/12 to 12/12 (T-AF12)	\$	X	=
<b>4 Attic Insulation Shield (T-AIS)</b>	\$	X	=
<b>5 Finish Ceiling Support (T-FSP)</b>	\$	X	=
<b>6 Roof Support Package (T-RSP)</b> includes an 18" length of pipe	\$	X	=
<b>7 Wall Support Kit (T-WSK)</b>	\$	X	=
<b>8 Wall Band (T-WB)</b>	\$	X	=
<b>9 Insulated Tee and Plug (T-IT)</b>	\$	X	=
<b>10 Insulated Wall Thimble (T-IWT)</b>	\$	X	=
<b>11 Stove Pipe Adapter (T-DSAC)</b> for use with single-wall stove pipe, for DSP use <b>25</b> (DSP-CPA)	\$	X	=
<b>12 Joist Shield (T-JS)</b>	\$	X	=
<b>13 Finishing Collar (T-FC)</b>	\$	X	=
<b>14 Adjustable Pitched Ceiling Plate (T-PCPAJ)</b>	\$	X	=
<b>15 If Chimney extends more than 5' above roof line</b>			
Roof Brace Kit (T-RBK)	\$	X	=
<b>16 If an Offset is required use an Elbow Kit. (See Step 5)</b>			
15° Elbow Kit - kits contain 2 elbows, 2 lockbands, and 1 Interior Resupport (T-15EL Kit)	\$	X	=
30° Elbow Kit - kits contain 2 elbows, 2 lockbands, and 1 Interior Resupport (T-30EL Kit)	\$	X	=
<b>17 Chimney Lengths (See Step 3)</b>			
12" Length (T12)	\$	X	=
18" Length (T18)	\$	X	=
24" Length (T24)	\$	X	=
36" Length (T36)	\$	X	=
48" Length (T48)	\$	X	=
<b>18 Anchor Plate (T-AP)</b>	\$	X	=
<b>Not Illustrated</b> Universal Shielding Insulation (SUSI) for use with <b>4, 6</b> or <b>10</b>			
<b>MODEL DSP DOUBLE WALL STOVE PIPE</b>			
<b>19 Vertical Installation Kit (DSP-VK)</b>			
Includes CPA, Telescoping Length (Adjustable from 38" - 68"), Finishing Band	\$	X	=
<b>20 Smoke Pipe Lengths</b>			
36" Length (DSP-P36)	\$	X	=
24" Length (DSP-P24)	\$	X	=
12" Length (DSP-P12)	\$	X	=
6" Length (DSP-P6)	\$	X	=
<b>21 12" Adjustable Length (DSP-AL)</b> adjusts from 12" - 18"	\$	X	=
<b>22 90 Elbow (DSP-E9)</b>	\$	X	=
<b>23 45 Elbow (DSP-E4)</b>	\$	X	=
<b>24 Tee with Cap (DSP-TE)</b>	\$	X	=
<b>25 Chimney Pipe Adapter (DSP-CPA)</b>	\$	X	=
<b>26 Stove Adapter (DSP-SA)</b>	\$	X	=
<b>Not Illustrated</b> 7" to 8" Outlet Adapter (DSP178)	\$	X	=

TOTAL \$

# SELKIRK® All-Fuel Chimney Installation Guide

## Getting Started Determine chimney diameter

Determine the (inner) diameter of your chimney. This is usually the same size (6" or 8") as the flue collar on your wood stove.



## Helpful Installation Tips

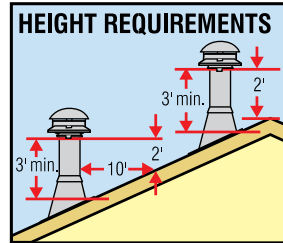
### Step 1 Select type of installation (See opposite page for installation types)

### Step 2 Determine overall height

Determine the number of Chimney Lengths required. Chimney Lengths are available in 48", 36", 24", 18" and 12" lengths.

The chimney must extend at least 3' above the highest point where it passes through the roof surface and at least 2' higher than any part of the building within a horizontal distance of 10'.

NOTE: When calculating the installed length of your chimney, subtract 1-1/4" for each joint and include the Height Requirements as shown in this illustration.



### Step 3 Determine roof pitch

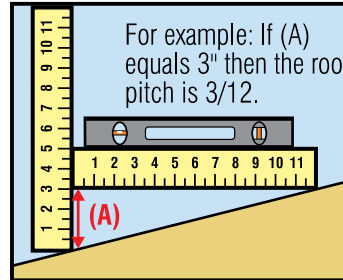
Choose the proper Roof Flashing required for your installation.

To determine which Roof Flashing you require, work out the pitch of your roof.

2/12 – 6/12 Roof Pitch = (Low Slope)\*  
6/12 – 12/12 Roof Pitch = (Steep Slope)

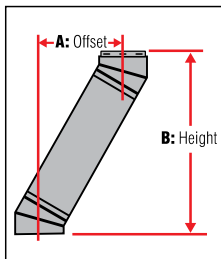
\*Note: Low Slope Flashing included in Flat Ceiling Kit.  
Note: For Metal Roofs use Universal Rubber Boot Flashing Kit

To calculate your roof pitch, use one of the 12-inch rulers to measure the number of inches (A) from the end of the other ruler down to the roof.



### Step 4 Offset calculation for ceiling support installations only

If an offset is required to avoid rafters or other obstructions, measure the horizontal distance required and the vertical height available. Refer to the Chimney Offset Chart to determine the Elbows and Chimney Length required.

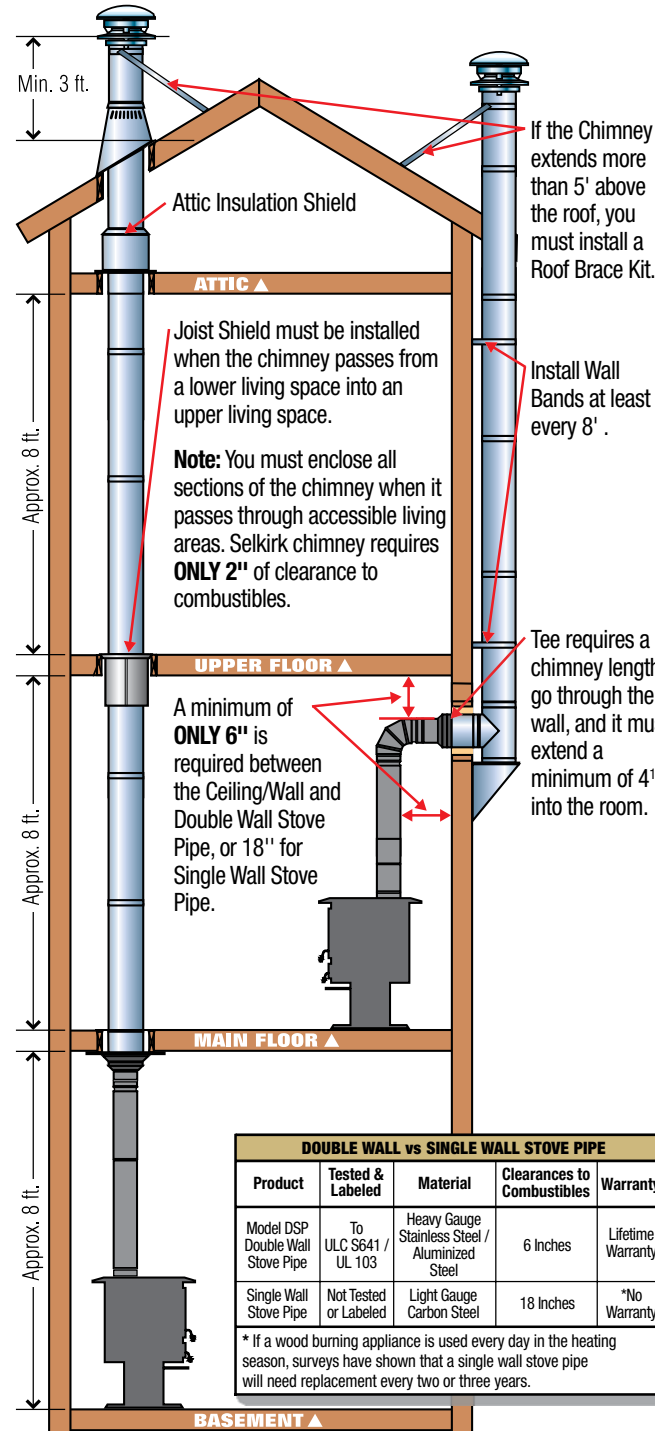


Product No.	Part No.	2 Elbows w/o Pipe		2 Elbows +6" Section		2 Elbows +9" Section		2 Elbows +18" Section		2 Elbows +36" Section	
		A	B	A	B	A	B	A	B	A	B
<b>15 Degree</b>											
205206	5T-EL15KIT	0.78	5.8	2.3	11.7	3.0	14.6	5.0	22.0	9.9	40.0
206206	6T-EL15KIT	0.80	6.0	2.4	11.9	3.1	14.8	5.1	22.2	9.9	40.2
207206	7T-EL15KIT	0.83	6.3	2.4	12.1	3.2	15	5.2	22.5	10.0	40.4
208206	8T-EL15KIT	0.86	6.6	2.5	12.4	3.2	15.3	5.2	22.8	10.0	40.7
<b>30 Degree</b>											
205211	5T-EL30KIT	3.7	13.8	6.7	19.0	8.2	21.6	12.1	28.3	21.4	44.4
206211	6T-EL30KIT	3.8	14.3	6.8	19.5	8.3	22.1	12.2	28.8	21.5	44.9
207211	7T-EL30KIT	4.0	14.8	7.0	20.0	8.5	22.6	12.3	29.3	21.6	45.4
208211	8T-EL30KIT	4.1	15.3	7.1	20.5	8.6	23.1	12.5	29.8	21.8	45.9

Note: An Interior Resupport comes with each Elbow Kit

### Step 5 Select stove pipe

The final step required to complete your Wood Stove Venting solution is to determine the Model DSP Double Wall Stove Pipe parts that will be needed to complete your installation. (Refer to Installation Diagrams (Step 1) and complete your Installation Planning Work Sheet.)



DOUBLE WALL vs SINGLE WALL STOVE PIPE				
Product	Tested & Labeled	Material	Clearances to Combustibles	Warranty
Model DSP Double Wall Stove Pipe	To ULC S641 / UL 103	Heavy Gauge Stainless Steel / Aluminized Steel	6 Inches	Lifetime Warranty
Single Wall Stove Pipe	Not Tested or Labeled	Light Gauge Carbon Steel	18 Inches	*No Warranty

\* If a wood burning appliance is used every day in the heating season, surveys have shown that a single wall stove pipe will need replacement every two or three years.

## All-Fuel Chimney Installation Guide



Need answers? Call 1.800.433.6341 or visit us online at [www.selkirkcorp.com](http://www.selkirkcorp.com)



Use Double Wall Stove Pipe for Optimum System Performance

