

LINEAR FIREPLACES

CONTEMPORARY DESIGN COLLECTION



*FRONT COVER: Rhapsody 54 shown with Copper Crushed Glass Media,
Black Satin Surround and Brushed Nickel Bezel*

astria
FIREPLACES®

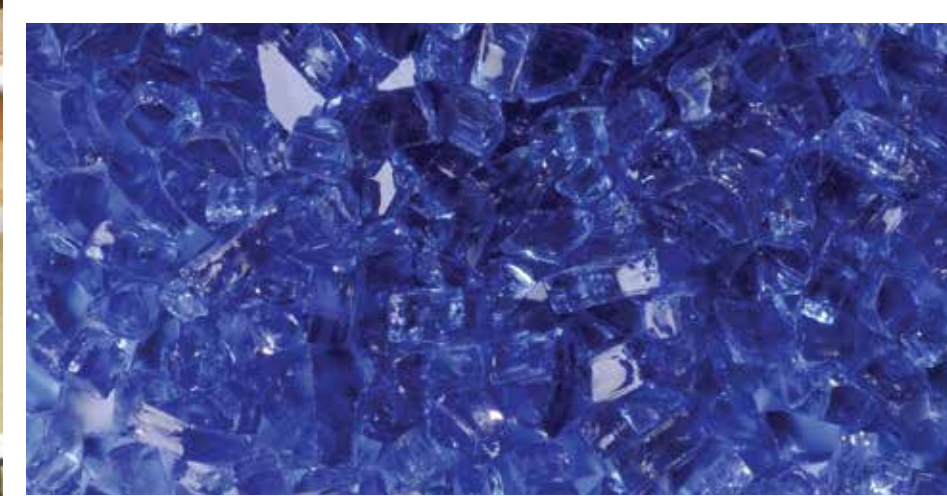
To see more of our product offerings and specifications, visit Astria.us.com.

astria
FIREPLACES®

Let your style shine.



FEATURED: Rhapsody 54 shown with Reflection Floor and Black Porcelain Nake Panel Kit



Now is the time you have been waiting for — the time to showcase your unique design sensibilities and personal style of modern living, without compromise. Astria®'s Linear Fireplace Collection offers a line of options and styles to meet those high standards. A panoply of media, bezels, surrounds and interiors is at your fingertips. Now is the time to *let your style shine.*

astria
FIREPLACES®
Let your style shine.



FEATURED: Rhapsody 54 shown with Reflection Floor and Black Porcelain Nake Panel Kit



FEATURED: Venice Lights 43 shown with Clear Glass Media



FEATURED: Sirius 42 with Brushed Stainless Steel Surround and Reflective Black Glass Media

RHAPSODY

The Rhapsody direct vent gas fireplace (available in 42" & 54") is a premium contemporary linear design for a sleek and dramatic appearance. The expansive ceramic glass opening provides an exceptional view of the mesmerizing, rhythmic flames in a variety of interior options. The Rhapsody provides an elegant and sophisticated approach to any modern living area.

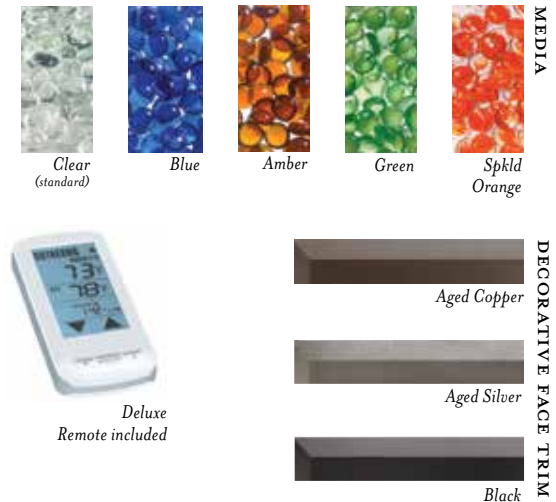
- SEAMLESS BATTERY BACKUP
- INTERIOR LIGHTING OPTIONAL
- 2015 ANSI BARRIER COMPLIANT
- CERAMIC GLASS
- FACTORY INSTALLED BLOWER



VENICE LIGHTS

The Venice Lights direct vent gas fireplace is a versatile linear design for dramatic appearance. Standard features include ceramic glass and in-floor halogen lighting to illuminate a variety of colorful glass pebbles. Shown as front open, Venice Lights is available in indoor see through or indoor/outdoor see through configurations. Controls are cleverly concealed to maintain clean visual lines.

- SEAMLESS BATTERY BACKUP
- INTERIOR LIGHTING
- 2015 ANSI BARRIER COMPLIANT
- CERAMIC GLASS



SIRIUS

The Sirius fireplace (available in 42" & 54") brings together the latest in technology and design to provide the ultimate in versatility. Its glossy, smooth porcelain interior showcases a mesmerizing band of flames, produced with advanced Infini-Flame™ technology for energy-efficient warmth. An array of contemporary media and surround options provides a sleek and stylish appearance that can be customized.

- SEAMLESS BATTERY BACKUP
- 2015 ANSI BARRIER COMPLIANT
- CERAMIC GLASS
- OPTIONAL BLOWER



ELECTRIC

ARCTURUS

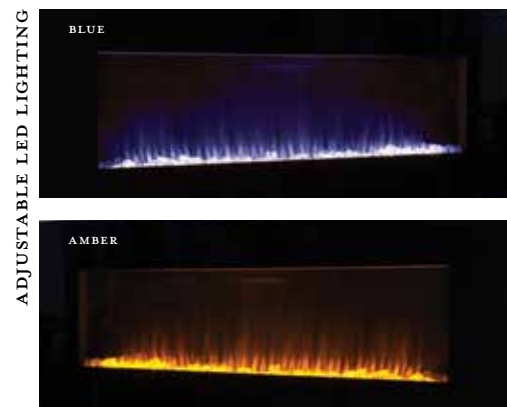
Expansive 54" or 60" models offer a breathtaking linear view to complete any décor. Full-Featured remote control operates power, flame, and ember presentation. Energy efficient LED technology, adjustable flame height and ember intensity, combined with a standard 5,000-BTU heater delivers relaxing heat on demand. Mounts directly on the wall or recessed (with heater disabled) into the wall for a more elegant appearance.



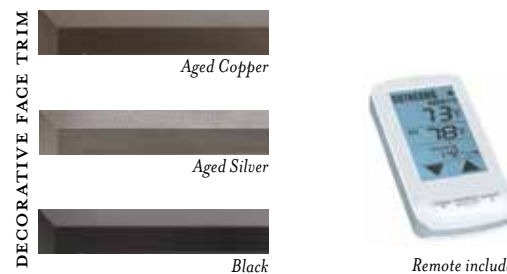
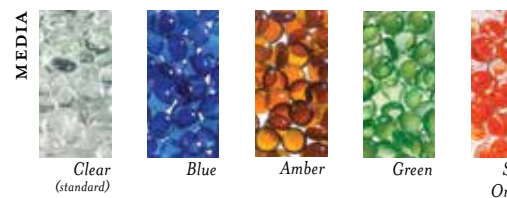
LIGHTING
COLOR
OPTIONS



FEATURED: Arcturus 54 shown with Amber color setting



Remote included



Remote included

PARIS LIGHTS

With stunning views of dancing flames and high-efficiency heating, Paris Lights 43" Vent-Free Gas Fireplace offers the style and performance. Standard features keep living areas warm and inviting, while other standard accessories like Reflective Porcelain Liners, in-floor Halogen Lighting and Clear Glass Pebble Media add style to any room. Paris Lights is as versatile as it is efficient.



SEAMLESS
BATTERY
BACKUP

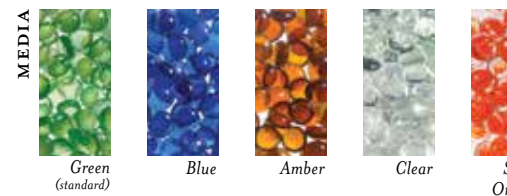


INTERIOR
LIGHTING



FEATURED: Paris Lights 43 shown with Clear Glass Media and optional Black Decorative Face Trim

INDOOR



Remote included

BERLIN LIGHTS

Stylish, adaptable, versatile and an impressive 43" span sets Berlin Lights apart. It features a linear flame array with ambient in-floor Halogen Lighting and Green Glass Pebble Media. The controls are cleverly concealed to maintain a clean, striking visual impact. Also available in an outdoor see through kit (not shown).



SEAMLESS
BATTERY
BACKUP



TEMPERED
GLASS
WEATHER
SHIELD



INTERIOR
LIGHTING

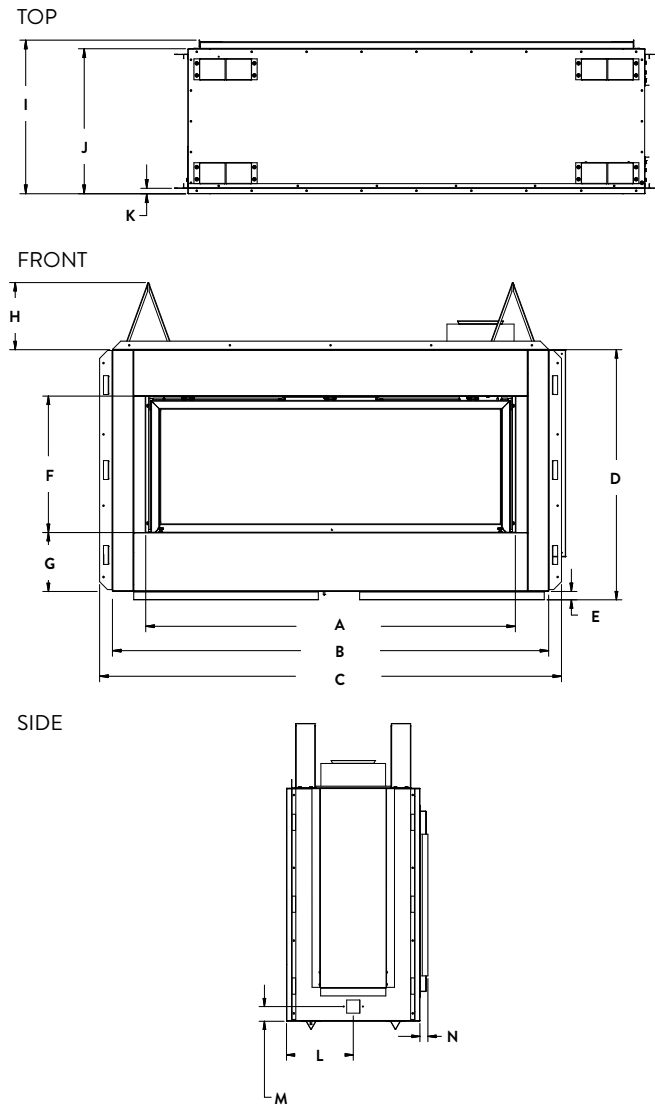


FEATURED: Berlin Lights 43 fireplace shown with Green Glass Media and standard tempered glass Weather Shield.

OUTDOOR

VENT-FREE

PARIS LIGHTS / BERLIN LIGHTS



PARIS LIGHTS / BERLIN LIGHTS

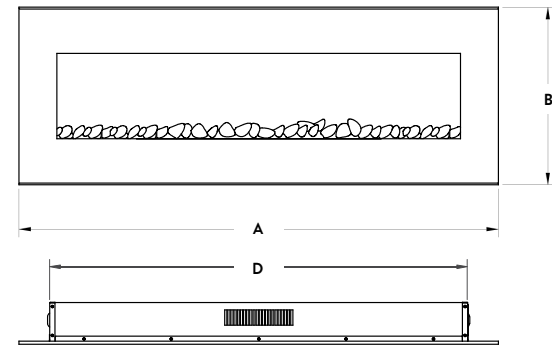
A	44-1/16"	H	8-1/4"
B	52"	I	17-1/2"
C	55-1/16"	J	16-1/2"
D	29-13/16"	K	5/8"
E	1"	L	8-1/4"
F	16-9/32"	M	1-13/16"
G	7-1/32"	N	1"

FIREPLACE EFFICIENCIES

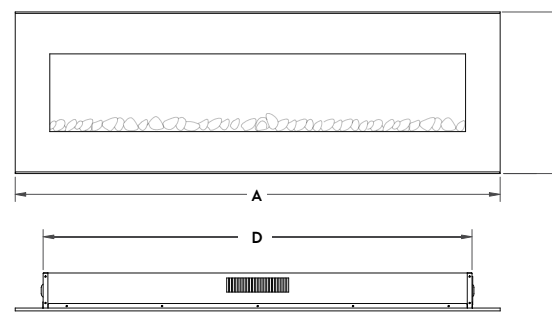
MODEL	FUEL	BTU/HR	*AFUE
PARIS LTS 43 / BERLIN LTS 43	NG	25,000-39,000	99.9%
PARIS LTS 43 / BERLIN LTS 43	LP	29,000-37,000	99.9%

ARCTURUS

54" MODEL



60" MODEL



❖ Can be recess mounted (with heater disabled).

❖ Can be recess mounted (with heater disabled).

ARCTURUS 54 ARCTURUS 60

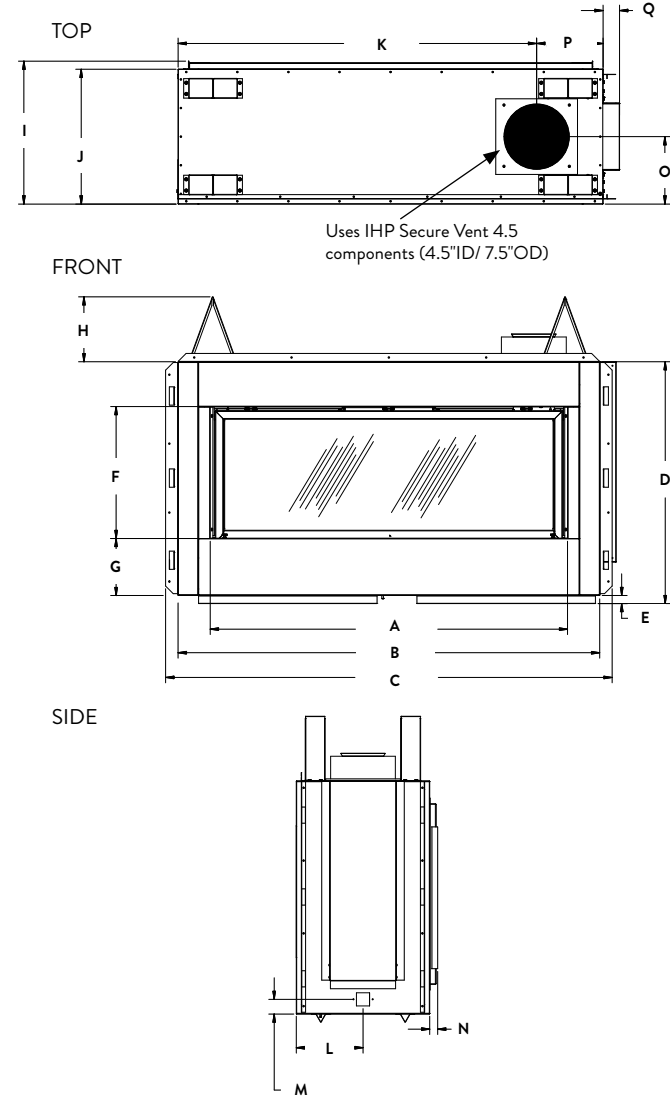
A	54"	60"
B	20"	20"
C	4-3/4"	4-3/4"
D	47-1/8"	53"

APPLIANCE BTU OPERATING INPUT

MODEL	TYPE	VOLTAGE	BTU/HR
ARCTURUS 54/60	Electric	110	5,000

*Annual Fuel Utilization Efficiency (AFUE) is the recognized U.S. rating system for the total efficiency of heating products.

VENICE LIGHTS



VENICE LIGHTS

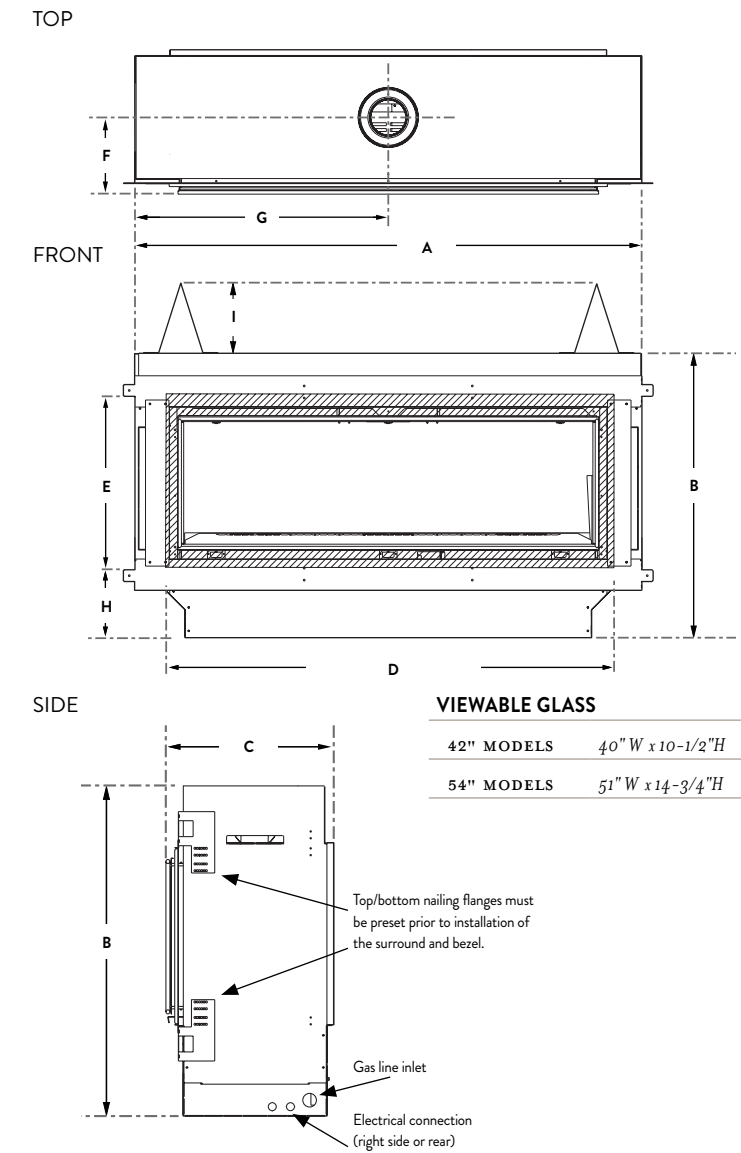
A	44-1/16"	G	7-1/32"	M	1-13/16"
B	52"	H	8-1/4"	N	1"
C	55-1/16"	I	17-1/2"	O	8-1/4"
D	29-13/16"	J	16-1/2"	P	8-1/8"
E	1"	K	5/8"	Q	12-1/32"
F	16-9/32"	L	8-1/4"		

FIREPLACE EFFICIENCIES – Listed to ANSI Z21.50 as a decorative gas appliance.

MODEL	FUEL	BTU/HR	AFUE*
VENICE LIGHTS 43	NG	22,000-35,000	45.91%
VENICE LIGHTS 43	LP	24,000-33,000	42.15%

*Annual Fuel Utilization Efficiency (AFUE) is the recognized U.S. rating system for the total efficiency of heating products.

RHAPSODY / SIRIUS



VIEWABLE GLASS

42" MODELS	40" W x 10-1/2" H
54" MODELS	51" W x 14-3/4" H

RHAPSODY 42 / SIRIUS 42 RHAPSODY 54 / SIRIUS 54

A	53-3/4"	65-3/4"
B	32-1/2"	36-3/8"
C	18-1/2"	18-1/2"
D	44-1/8"	56-1/8"
E	15-3/4"	19-3/4"
F	9-7/8"	9-7/8"
G	26-7/8"	32-7/8"
H	9-7/8"	9-7/8"
I	9-7/8"	9-7/8"

FIREPLACE EFFICIENCIES – Listed to ANSI Z21.88 as a gas fireplace heater.

MODEL	FUEL	BTU/HR	AFUE**	P4/ENERGUIDE*
RHAPSODY 42 / SIRIUS 42	NG	19,500/27,000	67%	61%
RHAPSODY 54 / SIRIUS 54	NG	26,000/37,000	70.2%	66.9%

*Intermittent ignition systems
 **Annual Fuel Utilization Efficiency (AFUE) is the recognized U.S. rating system for the total efficiency of heating products.