

MULTI-VIEW SERIES

VENTED GAS FIREPLACES



astria
FIREPLACES®

Traditional
Fireplace
Design Collection

FEATURED BELOW

*Libra See Through model
with black painted interior*

ON THE COVER

*Libra See Through
model with Buff Stacked
Ceramic Fiber Liner*





The Astria® Multi-View Vented Gas Fireplace Series offers several unique designs that create statements of style and substance in any home. Paradigms of beauty and value, these fireplaces are available in two-sided See Through, Corner* and three-sided Peninsula configurations.

We understand. The remarkable craftsmanship found within the Astria® fireplace collection is of the utmost importance to us. We understand that form and function should only exist in harmony, and the little things are just as important as the big things.


Let your style shine.

LIBRA DIRECT VENT & MARIN B-VENT GAS MULTI-VIEW MODELS

Libra CR/L (Corner), Libra PF (Peninsula), Libra ST (See Through) & Marin ST (See Through) models



FEATURED Libra CL (Corner Left) model with Black Painted Interior



*FEATURED Libra PF (Peninsula) model
with Buff Stacked Ceramic Fiber Liner*



FEATURED Ceramic fiber "aged oak" log set with 1/2" heavy-duty grate

Libra & Marin Interior

Choose from Black Painted Interior or Buff Stacked Ceramic Fiber Liners.



*Black Painted Interior
(Standard)*



Buff Stacked



Optional Touch Remote

LIBRA/MARIN MULTI-VIEW FEATURES

| | LIBRA | MARIN |
|--|--------------|--------------|
| Listed to ANSI Z21.88 Gas Fireplace Heater | ♦ | |
| Listed to ANSI Z21.50 Decorative Gas Fireplace | | ♦ |
| Available in 40" clean-faced corner, peninsula & see through models | ♦ | |
| Available in 40" clean-faced see through models only | | ♦ |
| Combo top/rear flue configuration | ♦ | |
| Top flue configuration | | ♦ |
| Millivolt ignition | ♦ | ♦ |
| Energy saving electronic ignition | ♦ | |
| Pre-wired for wall switch | ♦ | ♦ |
| Outstanding heating efficiency for increased comfort and lower operating costs | ♦ | |
| Standard tempered glass and 2015 ANSI barrier compliant | ♦ | ♦ |
| Detailed ceramic fiber "aged oak" log set with 1/2" heavy-duty grate | ♦ | ♦ |
| Black painted interior (optional ceramic fiber liner available) | ♦ | ♦ |
| Durable textured powder coat finish | ♦ | ♦ |
| Optional remote control available for all models | ♦ | ♦ |
| Uses IHP SV 4-1/2" x 7-1/2" Direct Vent Pipe | ♦ | |
| Uses 6" B-Vent Pipe | | ♦ |
| Limited lifetime warranty | ♦ | ♦ |

EROS DIRECT VENT GAS MULTI-VIEW MODELS

Eros PF (Peninsula) & Eros ST (See Through) models



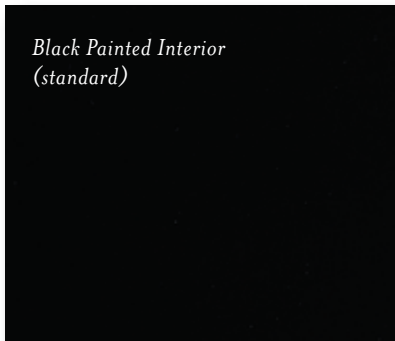
FEATURED Eros PF (Peninsula) shown with Buff Stacked Ceramic Fiber Liner



FEATURED Eros ST (See Through) with Black Painted Interior

Eros Interior

Choose from Black Painted Interior or optional Buff Stacked Ceramic Fiber Liners.



Black Painted Interior
(standard)



Buff Stacked

ADDITIONAL OPTIONS

Choice of blower with multiple control options

Remotes & wall mounted controls

EXCLUSIVE FEATURES

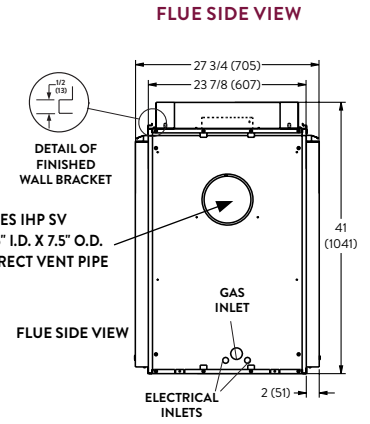
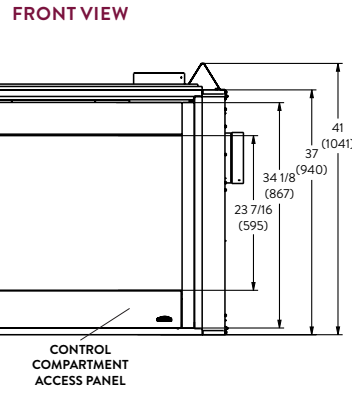
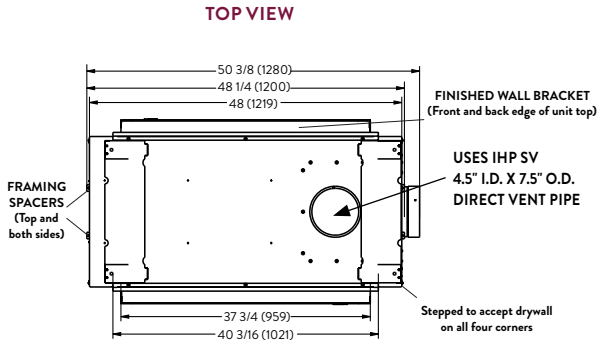
- ◆ Available in a 35" clean-faced peninsula and see through models
- ◆ Combo top/rear flue configuration
- ◆ Millivolt or energy saving electronic ignition
- ◆ Pre-wired for wall switch
- ◆ Outstanding heating efficiency for increased comfort and lower operating costs
- ◆ Standard tempered glass and 2015 ANSI barrier compliant
- ◆ Beautifully crafted ceramic fiber "oak" log set with 1/2" diamond-shaped heavy-duty grate
- ◆ Black painted interior (optional ceramic fiber liner available)
- ◆ Durable textured powder coat finish
- ◆ Optional remote control available for all models
- ◆ Limited Lifetime Warranty



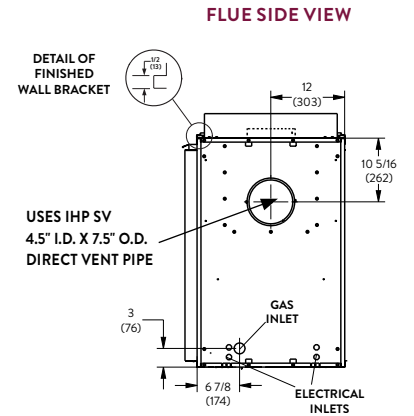
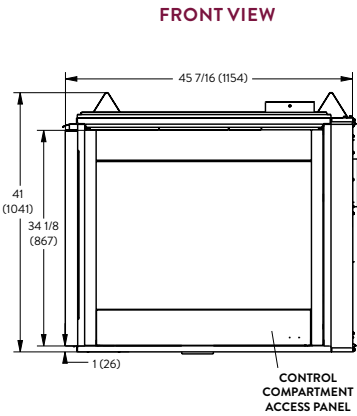
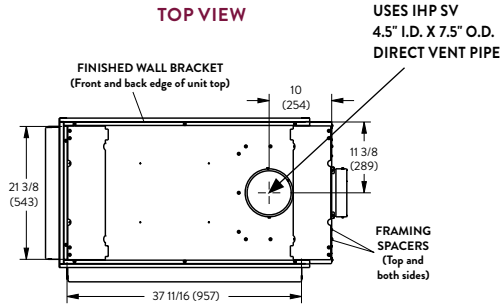
Optional Touch Remote

LIBRA SPECIFICATIONS — INCHES (MM) (SEE INSTALLATION MANUAL FOR DETAILED FRAMING SPECIFICATIONS)

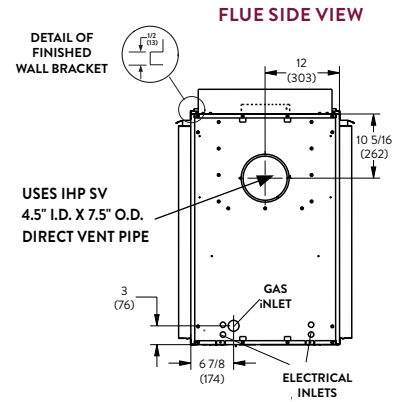
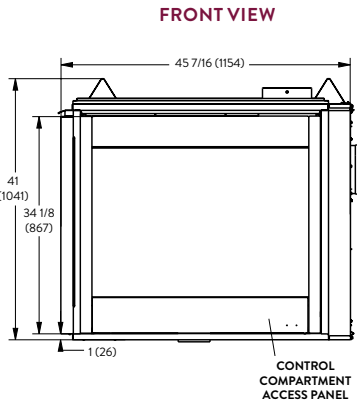
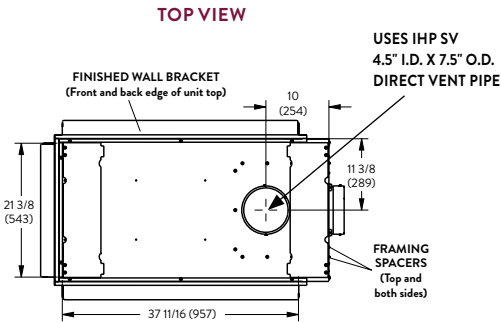
Libra ST (See Through)



Libra CL (Corner)

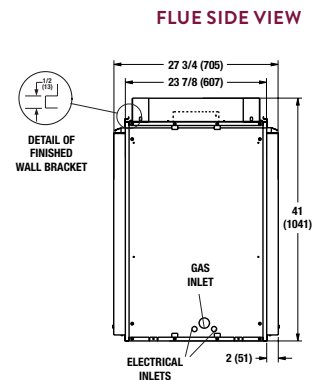
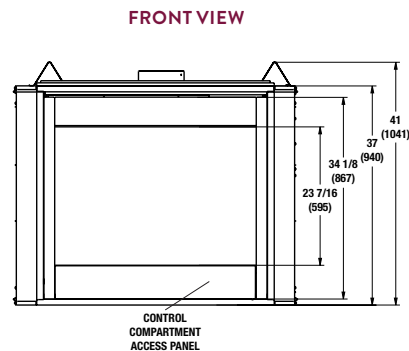
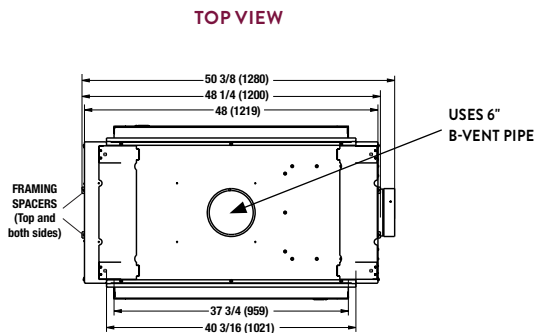


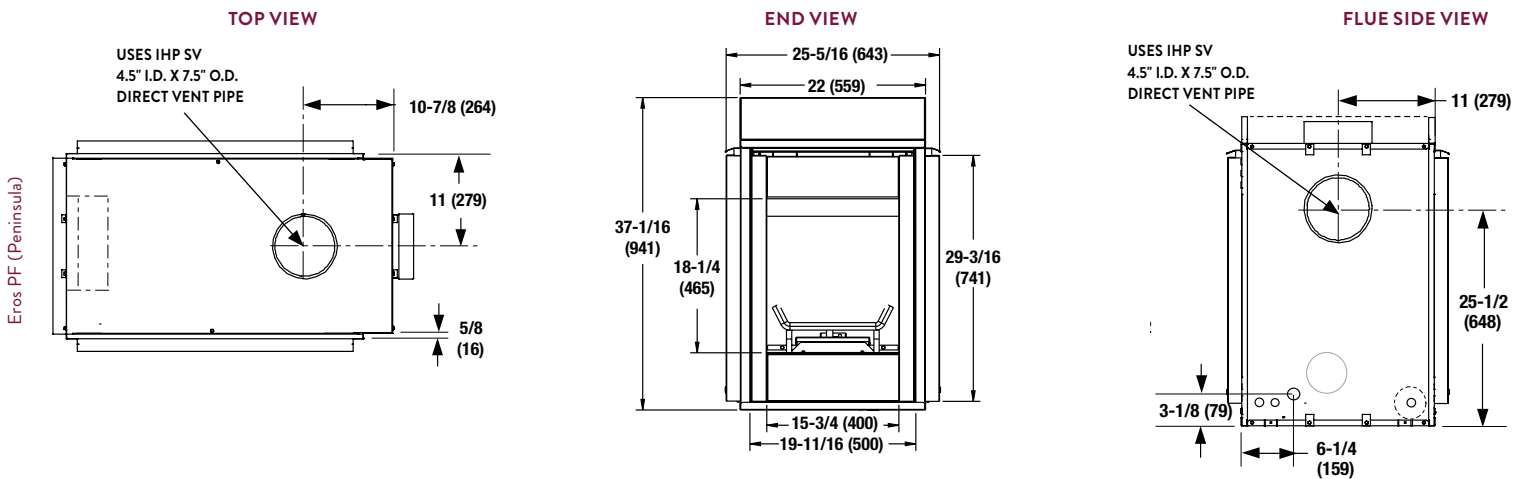
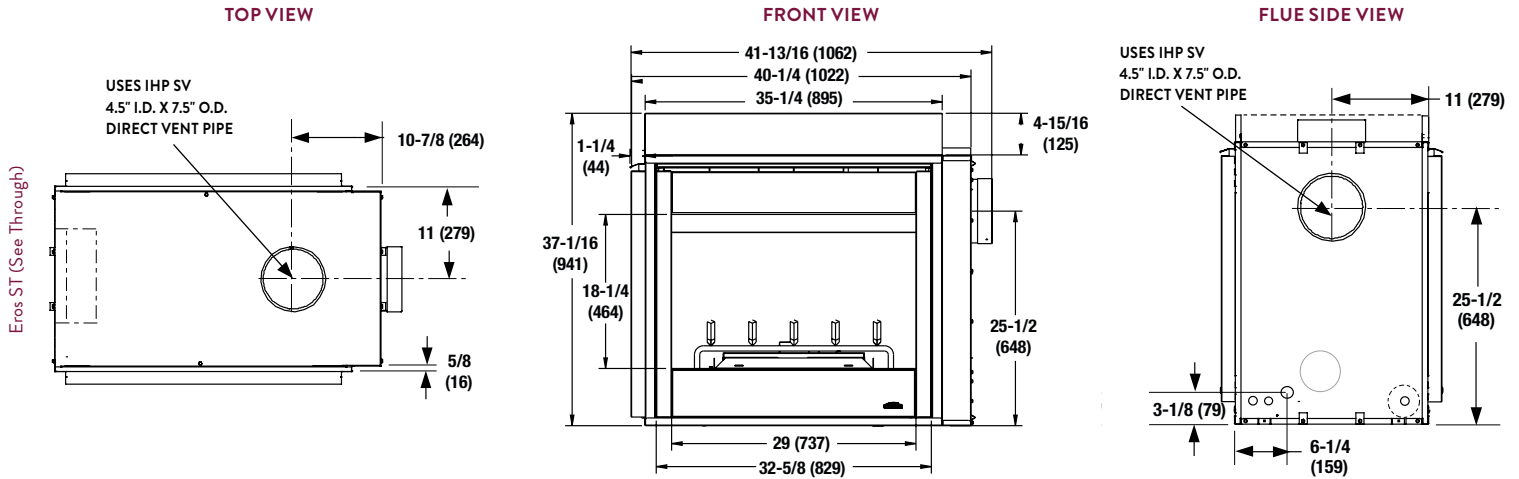
Libra PF (Peninsula)



MARIN SPECIFICATIONS — INCHES (MM) (SEE INSTALLATION MANUAL FOR DETAILED FRAMING SPECIFICATIONS)

Marin ST (See Through)





LIBRA MULTI-VIEW FIREPLACE EFFICIENCIES — Listed to ANSI Z21.88 as a gas fireplace heater

| MODEL | FUEL | BTU/HR | AFUE** | P4 / ENERGUIDE |
|---------------|------|---------------|--------|----------------|
| LIBRA ST40DMN | NG | 29,000-37,000 | 70.3 | 57.9% |
| LIBRA ST40DMP | LP | 27,000-34,000 | 69.8% | 64.9% |
| LIBRA ST40DEN | NG | 37,000 | 68.2% | 57.7% |
| LIBRA PF40DMN | NG | 29,000-37,000 | 69.1% | 58.1% |
| LIBRA PF40DMP | LP | 27,000-34,000 | 69.8% | 64.9% |
| LIBRA PF40DEN | NG | 37,000 | 68.2% | 57.7% |
| LIBRA CL40DMN | NG | 24,000-31,000 | 67.5% | 53.4% |
| LIBRA CL40DMP | LP | 22,000-28,000 | 69.0% | 61.1% |
| LIBRA CL40DEN | NG | 31,000 | 68.2% | 57.7% |
| LIBRA CR40DMN | NG | 24,000-31,000 | 67.5% | 53.4% |
| LIBRA CR40DMP | LP | 22,000-28,000 | 69.0% | 61.1% |
| LIBRA CR40DEN | NG | 31,000 | 68.2% | 57.7% |

**Annual Fuel Utilization Efficiency (AFUE) is the recognized U.S. rating system for the total efficiency of heating products.

MARIN MULTI-VIEW FIREPLACE EFFICIENCIES — Listed to ANSI Z21.50 as a decorative gas appliance

| MODEL | FUEL | BTU/HR |
|---------------|------|---------------|
| MARIN 40STTMN | NG | 30,000-37,500 |
| MARIN 40STMP | LP | 27,000-34,000 |

EROS MULTI-VIEW FIREPLACE EFFICIENCIES — Listed to ANSI Z21.88 as a gas fireplace heater

| MODEL | FUEL | BTU/HR | AFUE** | P4 / ENERGUIDE |
|----------------|------|---------------|--------|----------------|
| EROS 35STD MN | NG | 23,000-30,000 | 68.8% | 59.0% |
| EROS 35STD MP | LP | 22,000-28,000 | 70.3% | 58.6% |
| EROS 35STD DEN | NG | 30,000 | 74.8% | 54.7% |
| EROS 35PFD MN | LP | 23,000-30,000 | 69.2% | 60.1% |
| EROS 35PFD MP | NG | 22,000-28,000 | 69.7% | 58.7% |
| EROS 35PFD DEN | LP | 30,000 | 74.8% | 54.7% |

**Annual Fuel Utilization Efficiency (AFUE) is the recognized U.S. rating system for the total efficiency of heating products.

IMPORTANT NOTES:

As with any fireplace, this appliance is extremely hot during operation. Read and understand all operating instructions before using this appliance. For further information, consult your dealer.

Local conditions, such as elevation, wind, vent configuration and choice of fuel will affect overall appearance of the fire and heating performance. Performance can also vary with home design and insulation, climate, condition and type of fuel used, appliance location, burn rate, accessories chosen, chimney installation and how the appliance is operated.

Diagrams, illustrations and photographs are not to scale—consult installation instructions. Product designs, materials, dimensions, specifications, colors and prices are subject to change or discontinuance without notice.



Approved for use with European Copper and Chimney Classics chimney tops, which improve performance and add an elegant touch.

astria
FIREPLACES®

Visit us online



Astria.us.com

© 2015 Innovative Hearth Products
785614M 06/15



Canada

ENERGUIDE

Look for the **EnerGuide**
Gas Fireplace Energy
Efficiency Rating in this brochure

Based on CSA P.4.1-02