



BLACK STOVE PIPE

Edition 4



MODEL DCC DOUBLE-WALL STOVEPIPE

The AmeriVent Model DCC double-wall stovepipe is designed for use with AmeriVent chimney systems. Model DCC is UL-listed for minimum airspace clearance to combustibles of 6" to the rear and side walls, 8" to ceilings.

Construction Features

- UL-listed for 1000° continuous operation with 6" clearance to walls and 8" clearance to ceilings
- Stainless steel inner liner
- Air-insulated, double-wall design
- Black
- Easy to install and inspect screw joint assembly
- Drip-free design to prevent creosote leakage
- Components individually wrapped in plastic sleeves

Note: A single-wall adapter is required to attach Double-Wall Chimney (DCC) to Model HS/HSS/TD Chimney.

 AMERIVENT | (800) 423-4270 | ameri-vent.com



Pipe Section



- Stainless Steel inner liners
- Easy to install and disassemble; screw-joint assembly

6" Diameter

Part #	Model #	Length	I.D.	O.D.
887000	6DCC-12-BK	12"	6"	7"
887032	6DCC-18-BK	18"	6"	7"
887003	6DCC-24-BK	24"	6"	7"
887034	6DCC-36-BK	36"	6"	7"
887036	6DCC-48-BK	48"	6"	7"

8" Diameter

Part #	Model #	Length	I.D.	O.D.
887016	8DCC-12-BK	12"	8"	9"
887046	8DCC-18-BK	18"	8"	9"
887019	8DCC-24-BK	24"	8"	9"
887048	8DCC-36-BK	36"	8"	9"
887050	8DCC-48-BK	48"	8"	9"

Adjustable Length



- 6" length section slips over pipe section for adjustments from 2 1/2" to 5"



- 18" length section slips over pipe section for adjustments from 3" to 15"

6" Diameter

Part #	Model #	Length	I.D.	O.D.
887006	6DCC-6A-BK	6"	6"	7"
887001	6DCC-18A-BK	18"	6"	7"

8" Diameter

Part #	Model #	Length	I.D.	O.D.
887021	8DCC-6A-BK	6"	8"	9"
887017	8DCC-18A-BK	18"	8"	9"

Two-Piece Telescoping Section



- Telescopes between stove and supports for adjustments from 3 1/2' to 5 1/2'

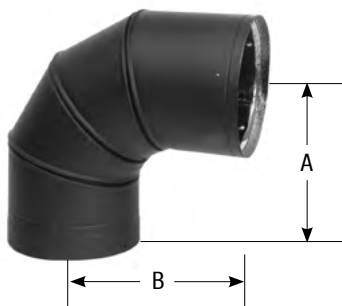
6" Diameter

Part #	Model #	Length	I.D.	O.D.
887013	6DCC-TS5-BK	3.5"-5.5"	6"	7"

8" Diameter

Part #	Model #	Length	I.D.	O.D.
887029	8DCC-TS5-BK	3.5"-5.5"	8"	9"

90° Elbow



- Fixed 90° elbow is used to offset connector pipe toward the insulated chimney system.

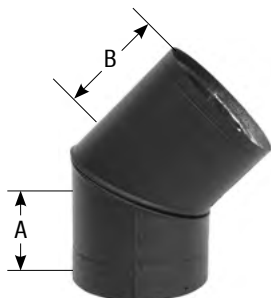
6" Diameter

Part #	Model #	A	B
887008	6DCC-90-BK	9 1/4"	10"

8" Diameter

Part #	Model #	A	B
887023	8DCC-90-BK	11 1/4"	12"

45° Elbow



- Fixed 45° elbow is used to offset connector pipe toward the insulated chimney system.

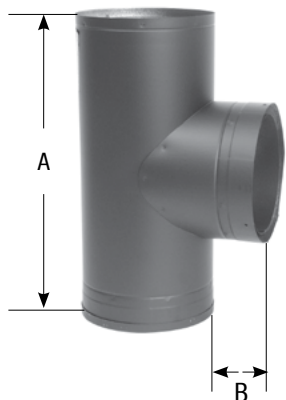
6" Diameter

Part #	Model #	A	B
887008	6DCC-90-BK	9 1/4"	10"

8" Diameter

Part #	Model #	A	B
887023	8DCC-90-BK	11 1/4"	12"

Tee



- A Tee is used where stove pipe connection is made at the rear of the appliance.

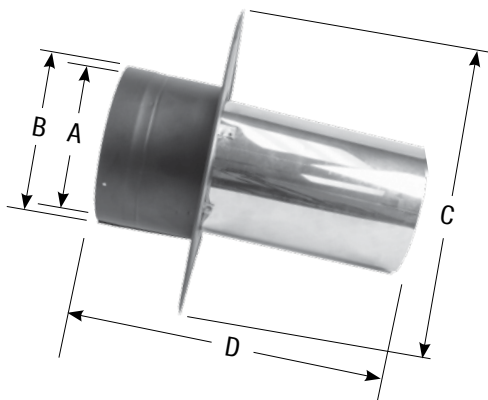
6" Diameter

Part #	Model #	A	B
887012	6DCC-T-BK	16"	3"

8" Diameter

Part #	Model #	A	B
887028	8DCC-T-BK	17"	3"

Masonry Adapter

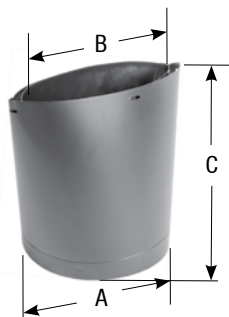


- For installations through a masonry wall
- Used to connect Double Wall Stove Pipe to an existing masonry chimney or a relined masonry chimney with stainless steel liner

6" Diameter

Part #	Model #	A	B	C	D	Pack
887051	6DCC-MS	6"	7"	14"	13 5/8"	1

Oval-to-Round Adapter

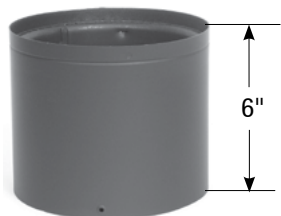


- Used to convert 8" Oval Flue outlets to 8" Round DCC Stove Pipe
- Secure with screws

8" Diameter

Part #	Model #	A	B	C	Pack
887026	8DCC-ORA-BK	9 1/4"	12 1/2"	10"	1

Stove Adapter



- 6" high adapter even fits over tall stove collars.

Part #	Model #	Length
887011	6DCC-SA-BK	6"

Part #	Model #	Length
887027	8DCC-SA-BK	6"

Universal Finishing Band



- Used to conceal the connecting joint at the chimney adapter

Part #	Model #	Size	Pack
887052	DCC-FB-BK	All	1

Increaser



- Increasers may be used at either the top or bottom of DCC stove pipe to increase a 6" DCC to an 8" DCC. The 6XDCC-7 to be used at the top of DCC stove pipe to increase the 6" DCC to a 7" chimney system.

Part #	Model #	Size
887014	6XDCC-8-BK	6" to 8"
	6XDCC-7	6" to 8"

Double Wall Connector Kit



- The kit includes two 24" pipe sections, one 18" adjustable length and one stove adapter. Kits are available in 6" and 8" sizes to accommodate vertical installations up to 66".

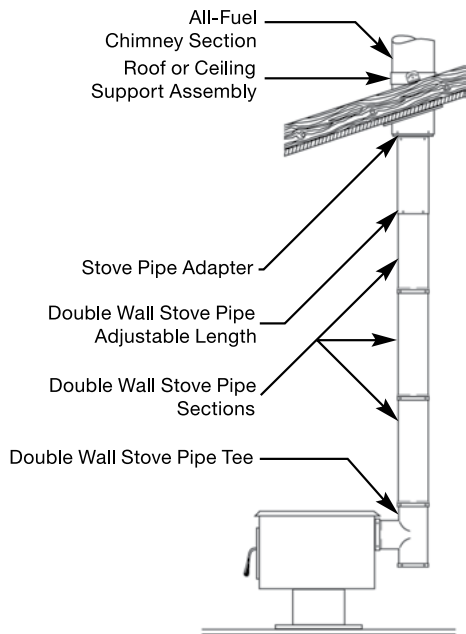
6" Diameter

Part #	Model #
887009	6DCC-K-BK

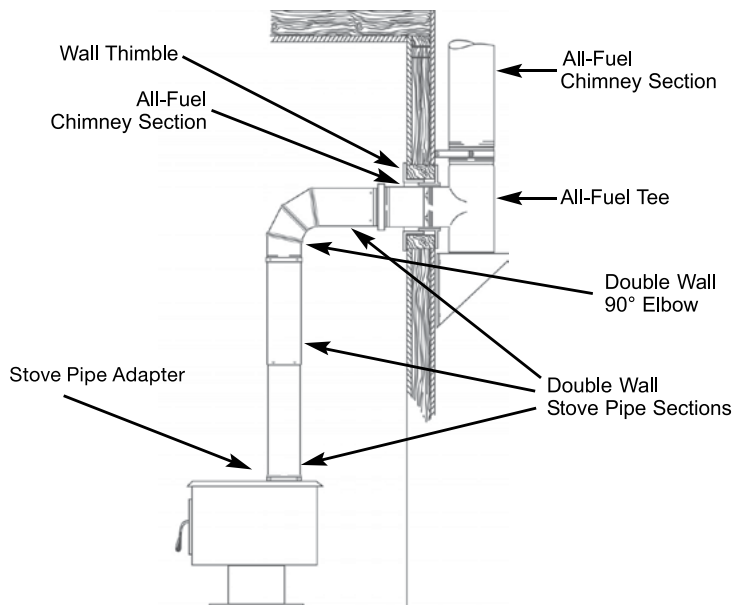
8" Diameter

Part #	Model #
887025	8DCC-K-BK

Vertical Support Installation for Model DCC

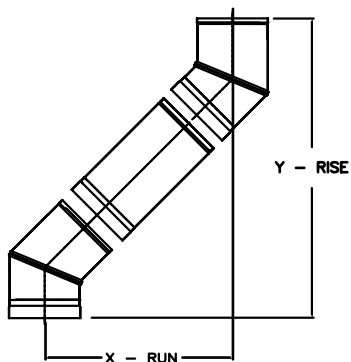


Wall Support Installation for Model DCC



DCC Offset Chart

6" Diameter DCC with (2) 45° Elbows			7" Diameter DCC with (2) 45° Elbows			8" Diameter DCC with (2) 45° Elbows		
Pipe Length	X – Run	Y – Rise	Pipe Length	X – Run	Y – Rise	Pipe Length	X – Run	Y – Rise
0"	5 1/2"	13 1/4"	0"	6 3/16"	14 15/16"	0"	6 7/8"	16 5/8"
12"	13 1/16"	20 13/16"	12"	13 3/4"	22 9/16"	12"	14 1/2"	24 1/4"
18"	17 5/16"	25 1/16"	18"	18"	26 3/4"	18"	18 3/4"	28 1/2"
24"	21 1/2"	29 5/16"	24"	22 1/4"	31"	24"	23"	32 3/4"
36"	30"	37 3/4"	36"	30 3/4"	39 1/2"	36"	31 1/2"	41 3/16"
48"	38 1/2"	46 1/4"	48"	39 1/4"	48"	48"	39 15/16"	49 11/16"





5030 Corporate Exchange Blvd.
Grand Rapids, MI 49512

P (800) 423-4270
F (800) 626-3825

Technical Support
(800) 669-3190

ameri-vent.com