

**DuraPlus HTC®**

All-fuel, double-wall  
chimney system.

ULC S629.



## Specifications

### Applications

DuraPlus HTC is a double-wall, all-fuel chimney system for Canada for use with wood stoves; fireplaces; and appliances using wood, oil, gas, or coal.

### Materials and Construction

Blanket insulation encased between inner and outer walls of .020" 430 stainless steel.

### Clearances

2" clearance to combustibles.

### Diameters

6"-8"

### Listings

Listed to UL 103HT and ULC S629 (143-P-03-2).



## UL 103 HT and ULC S629 System

### DuraPlus HTC

DuraVent's blanket insulation in DuraPlus HTC is made of light-weight ceramic refractory material. This insulation will not shrink or cause gaps like competitors' products made of mineral wool and other loose-fill insulations. No gaps mean no hot spots to trigger fires to exterior combustibles. Encased between two stainless steel walls, the insulation maintains a barrier that will not shift or settle. The 2" wall keeps the exterior cool, while ensuring high temperatures for optimum draft performance on the inside.

Twist-lock feature allows you to assemble DuraPlus HTC quickly and precisely. No screws or rivets required and no locking bands needed either.

The Adjustable Tee Support Bracket is reversible for installation above or below the tee, while ensuring a 2" clearance to combustibles (adjusts from 2" to 6"). DuraPlus HTC offers 15, 30, and 45 degree elbows and allows double offsets. Chimney pipe comes in lengths from 6 inches up to 4 feet.

Designed for normal, continuous operation at 1200° F (650° C) flue gas temperatures. DuraPlus HTC is subjected to rigorous and stringent requirements of the ULC S629 standard, including one hour at 1700° F (925° C), plus three thirty minute chimney fire tests at 2100° F (1150° C).



## Typical Installations

### Installation Key

1	DuraPlus HTC Chimney Pipe	11	Reduced Clearance Firestop Radiation Shield
2	Elbow	12	Square Ceiling Support Box
3	Universal Elbow Strap	13	Universal Roof Support
4	Tee w/ Cap	14	Trim Collar for Roof Support (not shown)
5	Wall Thimble	15	Roof Flashing
6	Adjustable Tee Support Bracket	16	Roof Radiation Shield
7	DVL/DuraBlack Chimney Adapter	17	DVL or DuraBlack Stovepipe
8	Chimney Cap	18	Stovetop Adapter
9	Storm Collar	19	DVL or DuraBlack Elbow
10	Finishing Collar		

• Refer to our Typical Venting Installation drawings to select the appropriate component parts for your installation.

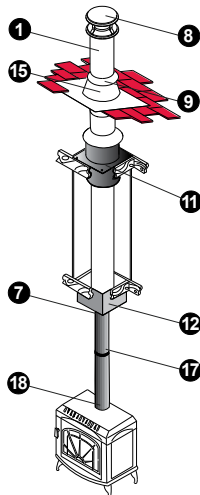
• A DVL/DuraBlack Chimney Adapter must be used when connecting DVL or DuraBlack stovepipe to a Ceiling Support, Wall Thimble or Finishing Collar.

• A Wall Thimble must be installed with an appropriate section of chimney pipe for all horizontal through-the-wall installations. To accommodate thicker walls use a Wall Thimble Extension.

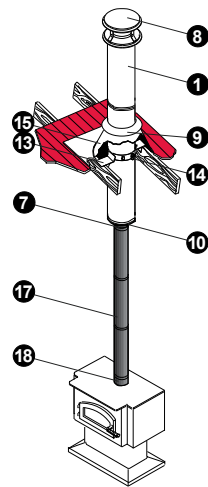
• All HTC Ceiling Supports now feature an integrated Attic Insulation Shield. These must be used in all installations that pass through an attic, regardless of whether the attic is insulated or not. If a chimney is fully enclosed within a chase, an attic insulation shield is not required. Note: For Multi-Story applications, an Attic Insulation Shield must be purchased separately.

• A Firestop Radiation Shield must be used when a chimney passes through a floor or ceiling without a ceiling support.

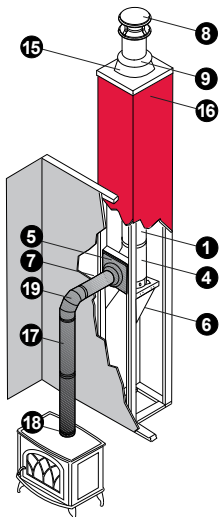
• The Roof Radiation Shield is only required when the chimney is enclosed in a chase within the attic space. It is not required when the chimney is unenclosed in the attic space.



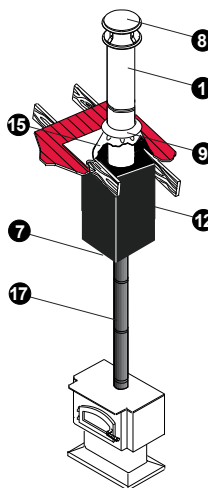
Multi-Story



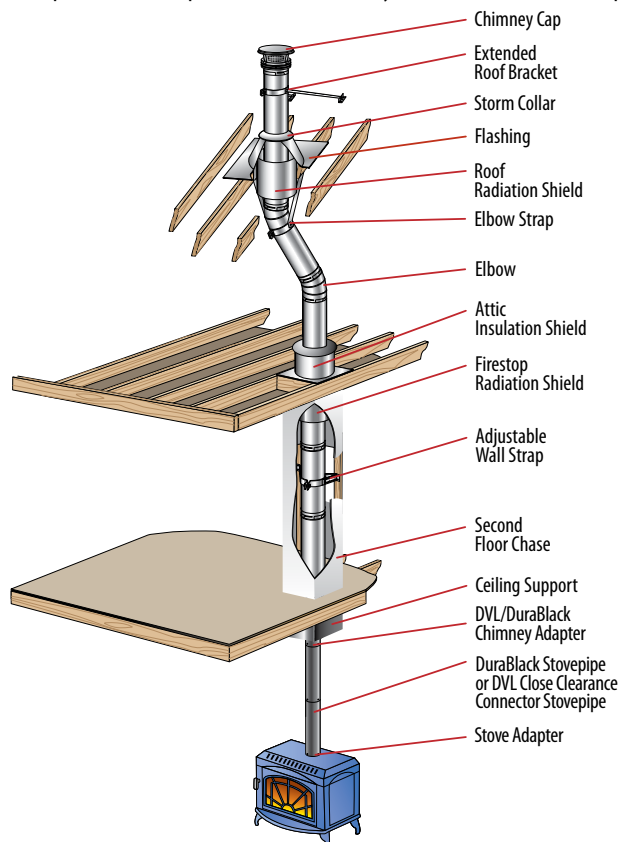
Cathedral Ceiling Roof Support



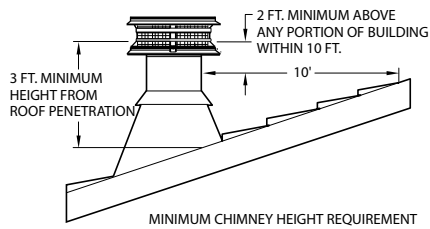
Through-The-Wall



Cathedral Ceiling w/Support Box



## Planning Your Installation



**Figure 1**

The following recommendations are a general guideline to assist in the layout and selection of the chimney components needed for your installation. Always follow DuraVent Installation instructions before installing your chimney system (enclosed with the cap or support box). Installation instructions can be viewed online at [www.duravent.com](http://www.duravent.com) under catalogs and instructions.

- The diameter of the chimney should match the outlet size of the appliance. An improperly sized chimney results in poor draft and excessive creosote formation.
- Measure the diameter of the appliance flue outlet. Select the chimney and either DVL or DuraBlack connector stovepipe with the same size diameter as the appliance flue outlet. For fireplace installations, refer to the sizing chart in the back of this catalog.
- Determine if the installation is a through-the-roof installation or a through-the-wall installation. A through-the-wall installation will require additional components (Wall Thimble, Tee/Cap, Tee Support, and Wall Straps).
- Install the chimney in the interior of the structure whenever possible. A cold exterior chimney will produce less draft and will generate more creosote.
- If possible avoid offsets that serve to restrict the natural draft. A straight vertical installation is more efficient and less likely to develop creosote. If an offset is required to avoid rafters or other obstructions, measure the horizontal distance required and the vertical height available. 15°, 30° and 45° elbows are available. (Note: 45° elbows are only allowed in Canada. The maximum angle allowed in the U.S. is 30°.) A maximum of two offsets in a single installation are permitted. Refer to the offset table in the back of the section of this catalog. At least one Elbow Strap is required for each offset. Elbow Straps ensure adequate support.
- Determine the minimum chimney height above the roof line. Building codes require a minimum of 3' above the roof penetration and at least 2' higher than any portion of a building within 10'. See *figure 1*. The termination cap is installed above that point. If chimney is more than 4' above the roof penetration an Extended Roof Bracket is required.
- Measure the roof pitch. For example, a 6/12 pitch has a vertical rise of 6" over a horizontal distance of 12". Select the appropriate flashing.
- Determine the total length of chimney and stovepipe required for the installation. To calculate the installed per length of 6"-8" DuraPlus HTC chimney pipe, subtract 1 1/2" per joint. Subtract 1 1/4" per joint of DuraBlack stovepipe. Subtract 1 1/2" per joint of DVL stovepipe. Minimum chimney height, at sea level of straight vertical chimney, is 10' to 15' above the appliance outlet. Higher elevations, or the use of elbows or a tee, will require approximately 30% to 60% more height to provide for an adequate draft.
- Be fire safe. Maintain at least 2" clearance to combustibles. Follow local building codes and have your chimney inspected by a certified professional.

### DuraPlus HTC Basic Kit



Kit includes: 24" Reduced Square Ceiling Support Box with trim, insulation collar, Chimney Cap, and DVL Chimney Adapter. 12" x 12" framing dimension permits installation within narrow joist spaces. Box doubles as an Attic Insulation Shield. Available for use with 6 inch chimney. Use for typical through-the-roof installations.

SIZE	6"
ORDER #	HTC-KBSC
STOCK #	810000646

### DuraPlus HTC Through-The-Wall Kit



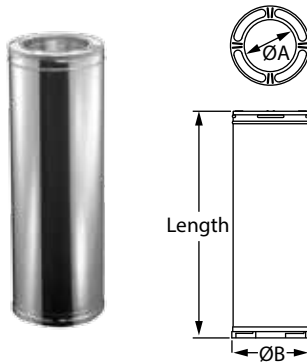
Kit includes: Wall-Thimble, Adjustable Tee-Support bracket, Tee with Insulated Cap, (2) Universal Adjustable Wall Straps, DVL Chimney Adapter w/ Trim, and Chimney Cap. Use for through-the-wall installations.

SIZE	6"
ORDER #	HTC-KTTW
STOCK #	810000647

### Pipe Selection Chart

Installed Chimney Height	Chimney Sections Used					Installed Chimney Height	Chimney Sections Used				
	6"	12"	24"	36"	48"		6"	12"	24"	36"	48"
6"	1					19'-10 1/2"	1				5
1'		1				20'-4 1/2"		1			5
2'			1			21'-4 1/2"			1		5
3'				1		22'-4 1/2"				1	5
4'					1	23'-4 1/2"					6
4'-4 1/2"	1				1	23'-9"	1				6
5'-10 1/2"		1			1	24'-6"		1			6
5'-10 1/2"			1		1	25'-6"			1		6
6'-10 1/2"				1	1	26'-6"				1	6
7'-10 1/2"					2	27'-6"					7
8'-3"	1				2	27'-7 1/2"	1				7
8'-9"		1			2	28'-1 1/2"		1			7
9'-9"			1		2	29'-1 1/2"			1		7
10'-9"				1	2	30'-1 1/2"				1	7
11'-9"					3	31'-1 1/2"					8
12'-1 1/2"	1				3	31'-6"	1				8
12'-7 1/2"		1			3	32'		1			8
13'-7 1/2"			1		3	33'			1		8
14'-7 1/2"				1	3	34'				1	8
15'-7 1/2"					4	35'					9
16'-1 1/2"	1				4	35'-3"	1				9
16'-7 1/2"		1			4	35'-10 1/2"		1			9
17'-7 1/2"			1		4	36'-10 1/2"			1		9
18'-7 1/2"				1	4	37'-10 1/2"				1	9
19'-6"					5	38'-10 1/2"					10

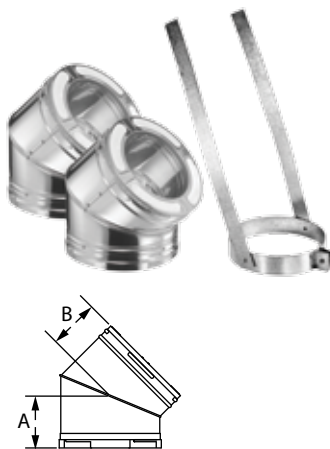
## Chimney Pipe



Designed for appliances tested and listed for use in Canada with wood stoves, fireplaces, furnaces, boilers, stoves, ranges, water heaters, or other appliances fueled by wood, oil, coal, or gas. To calculate the installed section of DuraPlus HTC chimney pipe, subtract 1 1/2" from each section of chimney pipe. DuraPlus HTC pipe lengths are available with additional protective carton foam for shipping. Available items have stock #'s ending with (CF).

SIZE	6"		7"		8"	
	ORDER #	STOCK #	ORDER #	STOCK #	ORDER #	STOCK #
A	6"		7"		8"	
B	10"		11"		12"	
6"	6HTC-06	810000648	7HTC-06	810000704	8HTC-06	810000739
12"	6HTC-12	810000649	7HTC-12	810000705	8HTC-12	810000740
18"	6HTC-18	810000650	7HTC-18	810000706	8HTC-18	810000741
24"	6HTC-24	810000651	7HTC-24	810000707	8HTC-24	810000742
36"	6HTC-36	810000652	7HTC-36	810000708	8HTC-36	810000743
36"	6HTC-36CF	810000653	-	-	-	-
48"	6HTC-48	810000654	7HTC-48	810000709	8HTC-48	810000744
48"	6HTC-48CF	810000655	-	-	-	-

## Elbow Kit

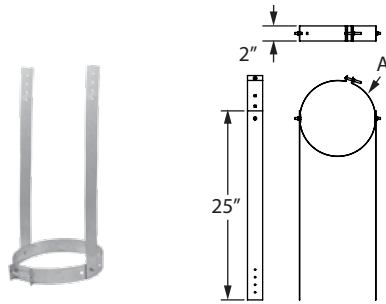


Kit includes: Two Elbows and one Elbow Strap.

Use for offsets around obstructions such as rafters, ridgepoles, or joists. May have two pairs of elbows, if needed. Elbows swivel 360° at base (angles are not adjustable). A pair of elbows is required to return an offset chimney back to vertical. Made of stainless steel. (Note: 45° elbows are only allowed in Canada. The maximum angle allowed in the U.S. is 30°. Refer to installation instructions)

15°	6"	7"	8"
A	4"	4 1/4"	4 1/4"
B	3 3/4"	4 1/8"	4 1/4"
ORDER #	6HTC-E15K	7HTC-E15K	8HTC-E15K
STOCK #	810000656	810000710	810000745
30°	6"	7"	8"
A	4 1/2"	4 5/8"	5"
B	4 3/4"	4 3/4"	4 3/4"
ORDER #	6HTC-E30K	7HTC-E30K	8HTC-E30K
STOCK #	810000657	810000711	810000746
45°	6"	7"	8"
A	6"	6"	6"
B	7 3/4"	7 3/4"	7 3/4"
ORDER #	6HTC-E45K	7HTC-E45K	8HTC-E45K
STOCK #	810000658	810000712	810000747

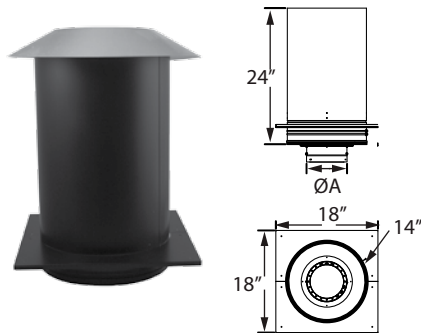
### Universal Adjustable Elbow Strap



Use to prevent excessive weight on the elbows by supporting the weight of the chimney. Required to be installed between two elbows in offset installations. Multiple elbow straps may be required for offset installations. Fits 6", 7", 8" chimney. Refer to installation instructions.

SIZE	6"	7"	8"
A	10"	11"	12"
ORDER #	6HTC-ESU		
STOCK #	810000699		

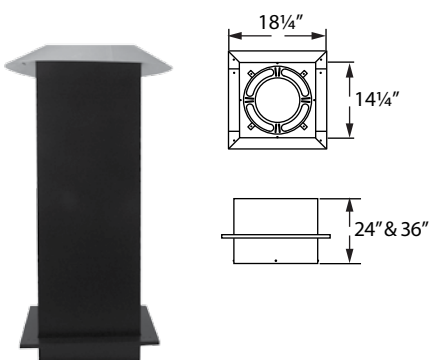
### Extended Round Ceiling Support



Use to support chimney pipe and provide a positive connection between support box and chimney with a built-in twist-lock. Supports can carry up to 40' of DuraPlus HTC Chimney. 24" height of support also doubles as an Attic Insulation Shield. Comes with trim, insulation collar, and DVL Chimney Adapter. Use adapter to attach DVL to the support box. Painted black. Adapts to DVL only.

SIZE	6"	7"	8"
A	7 3/16"	8 3/16"	9 3/16"
ORDER #	6HTC-RCS24	7HTC-RCS24	8HTC-RCS24
STOCK #	810000666	810000718	810000753

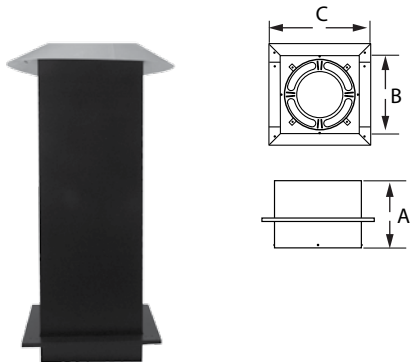
### Square Ceiling Support Box



Use with flat, vaulted or cathedral ceilings. Square Ceiling Support Box is painted black. Supports can carry up to 40' of DuraPlus HTC Chimney. Support box also doubles as an Attic Insulation Shield. Comes with trim, insulation collar, and DVL Chimney Adapter. Available in 24" or 36" box height. Starter Section built-in. Refer to Ceiling Pitch table to determine size of support box needed. (For adapters see DVL and DuraBlack section.)

SIZE		6"	7"	8"
24" SUPPORT BOX	ORDER #	6HTC-CS24	7HTC-CS24	8HTC-CS24
	STOCK #	810000662	810000716	810000751
36" SUPPORT BOX	ORDER #	6HTC-CS36	7HTC-CS36	8HTC-CS36
	STOCK #	810000663	810000717	810000752
CEILING PITCH				
DURABLACK	DVL	USE		
0/12 - 4/12	0/12 - 6/12	24" Support box		
5/12 - 9/12	7/12 - 13/12	24" Support box		
10/12 - 14/12	14/12 - 20/12	36" Support box		

### Reduced Clearance Square Ceiling Support Box

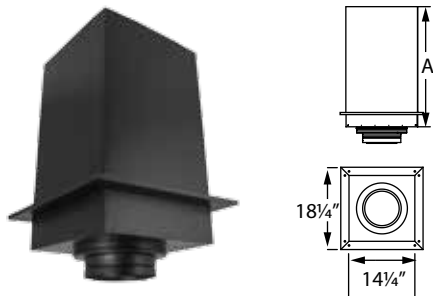


Use with flat, vaulted, or cathedral ceilings. Square Ceiling Support Box is painted black. 12" x 12" framing dimension permits installation within narrow joist spaces. Box will carry to 40' of DuraPlus HTC Chimney, and doubles as an Attic Insulation Shield. Starter Section built in. Reduces the usual 2" clearance (per side) down to a 1" clearance (per side) for the 6" diameter only.

Available in 24" or 36" box height. Comes with trim, insulation collar, and DVL Chimney Adapter. Refer to Ceiling Pitch table as listed with Square Ceiling Support Box to determine size of support box needed. Available for use with 6" chimney only.

SIZE	6"	6"
A	24"	36"
B	12"	12"
C	16"	16"
ORDER #	6HTC-CS24R	6HTC-CS36R
STOCK #	810000664	810000665

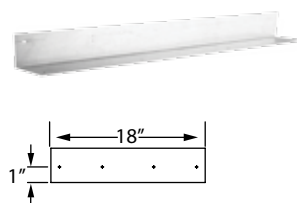
### Combustion Air Square Ceiling Support Box



Use with Combustion Air System (CAS) components. Delivers outdoor combustion air to the appliance without the need for an additional penetration of the building envelope. Supports up to 40' of DuraPlus HTC Chimney. Support box also doubles as an Attic Insulation Shield. Comes with trim, and insulation collar. Stovepipe adapter is already built-in. Available in 24 inch or 36 inch length. Use with flat, vaulted, or cathedral ceilings. Patent-pending.

SIZE	6"	8"
A	24"	24"
ORDER #	6CAS-CS24HTC	8CAS-CS24HTC
STOCK #	810000868	810000882
A	36"	36"
ORDER #	6CAS-CS36HTC	8CAS-CS36HTC
STOCK #	810000870	810000884

### Universal Support Box Rails

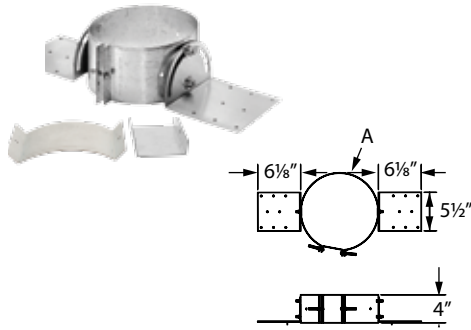


Attach to outside of Square Ceiling Support Box to provide level, temporary support. This enables an installer to easily fasten the box in place without the need for another pair of hands. Simplifies installation. One size fits 6", 7", 8" DuraPlus HTC support boxes.

SIZE	6"-8"
ORDER #	6HTC-SBRU
STOCK #	810000701



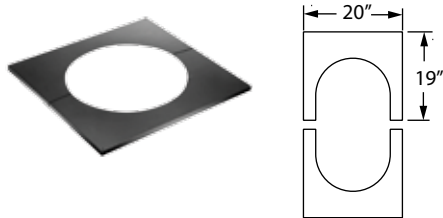
### Universal Roof Support



Provides a means to support the chimney from above rather than below. Ideal for cathedral ceilings and free-standing fireplace installations. Supports up to a maximum total chimney length of 30' (up to 20' of chimney below) Roof Support. Fully adjustable to accommodate different roof pitches. Use with optional Finishing Collar, Trim Collar and choice of stove-pipe adapter. Works with 6", 7", or 8" pipe. Refer to installation instructions. Trim Collar not included.

SIZE	6"	7"	8"
A	10"	11"	12"
ORDER #	6HTC-ARSU		
STOCK #	810000697		

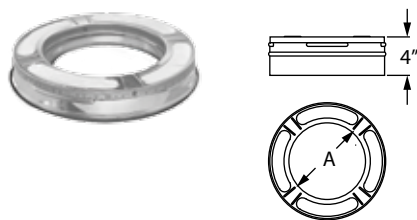
### Trim Collar for Roof Support



Conceals gap between chimney pipe and ceiling cut out when used with Roof Support. Works with flat, vaulted, or cathedral ceilings. Galvalume. Painted black.

SIZE		6"	7"	8"
0/12-12/12 PITCH	ORDER #	6HTC-TCRS	7HTC-TCRS	8HTC-TCRS
	STOCK #	810000668	810000720	810000755

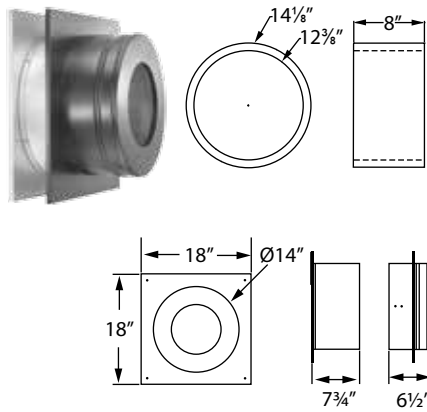
### Finishing Collar



Use to enclose the female end of the chimney. Provides a transition to stove-pipe when used in conjunction with a DVL or DuraBlack Chimney adapter. (For adapters see DVL and DuraBlack section).

SIZE	6"	7"	8"
A	6"	7"	8"
ORDER #	6HTC-FC	7HTC-FC	8HTC-FC
STOCK #	810000669	810000722	810000757

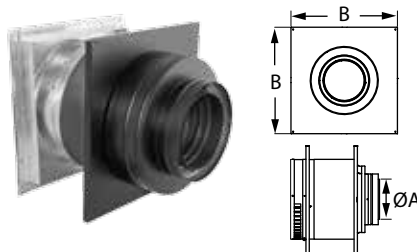
### Wall Thimble



Adjusts from a minimum of 7 3/4" to a maximum of 12 7/8" wall thickness, and fits between standard wall studs. Designed to fit between standard 16" framing. For walls that are over 11" thick, a Wall Thimble Extension is required. This will add up to 16" of extra width. Wall Thimble requires only a 2" projection beyond a finished interior wall. Black trim included.

SIZE	6"	7"	8"
ORDER #	6HTC-WT	7HTC-WT	8HTC-WT
STOCK #	810000670	810000723	810000758
EXTENSION ORDER #	6HTC-WTX		
EXTENSION STOCK #	810000671		
WALL THICKNESS	INSTALL PIPE SECTION		
Up to 3"	One 6" section		
3 1/4" - 7 1/2"	Two 6" section		
7 3/4" - 9"	One 12" sections		
9 1/4" - 13 1/2"	One 12" section and one 6" section		

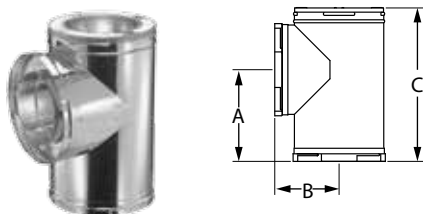
### Combustion Air Wall Thimble



Use with Combustion Air System components. Delivers outdoor air as combustion air to the appliance. Operates as a direct vent system without requiring a second penetration to the building envelope. Painted black. Patent-pending.

SIZE	6"	8"
A	6"	8"
B	16"	18"
ORDER #	6CAS-WHTC	8CAS-WHTC
STOCK #	810000866	810000880

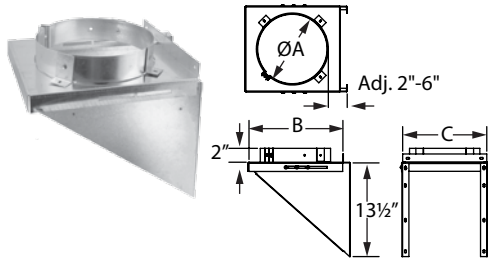
### Tee w/ Cap



Use for through-the-wall chimney installations. Comes with Insulated Tee Cap as standard equipment. The Tee Cap is removable for easy chimney cleaning or inspection. Tees are also available in kits.

SIZE	6"	7"	8"
A	11 1/4"	11 3/4"	12 1/4"
B	7 1/2"	8"	8 1/2"
C	18 1/2"	20"	20 1/2"
ORDER #	6HTC-T	7HTC-T	8HTC-T
STOCK #	810000672	810000724	810000759

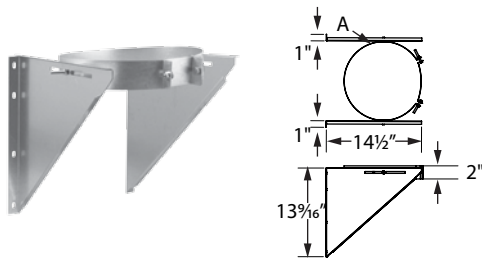
### Adjustable Tee Support Bracket



Used to support the Tee; suspended from a wall. Supports up to 35' of DuraPlus HTC Chimney. Can be installed above or below the tee. Adjustable base slides easily to provide between 2" - 6" clearance to wall.

SIZE	6"	7"	8"
A	10 3/8"	11 3/8"	12 3/8"
B	13 1/2"	14 1/2"	15 1/2"
C	12 1/8"	13 3/16"	14 1/8"
ORDER #	6HTC-ATS	7HTC-ATS	8HTC-ATS
STOCK #	810000675	810000727	810000762

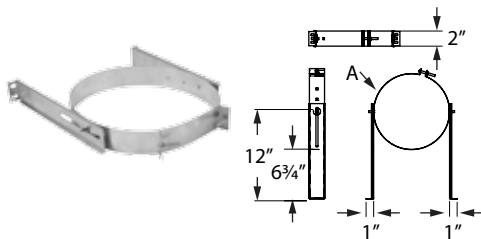
### Universal Re-Support Bracket



Supports up to 35' of DuraPlus HTC Chimney. Can be installed above or below the tee. Adjustable base slides easily to provide between 2" - 6" clearance to wall. Works with 6", 7", or 8" pipe. Refer to installation instructions.

SIZE	6"	7"	8"
A	10"	11"	12"
ORDER #	6HTC-RESU		
STOCK #	810000695		

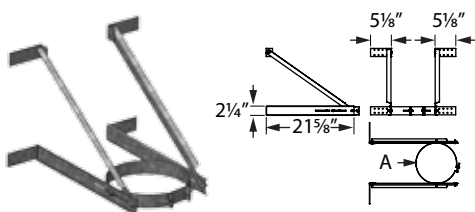
### Universal Adjustable Wall Strap



For use in interior or exterior installation to stabilize chimney while ensuring a 2" clearance. Wall straps are required every 8' on a vertical wall of the building. Works with 6", 7", or 8" pipe. Refer to installation instructions.

SIZE	6"	7"	8"
A	10"	11"	12"
ORDER #	6HTC-AWSU		
STOCK #	810000698		

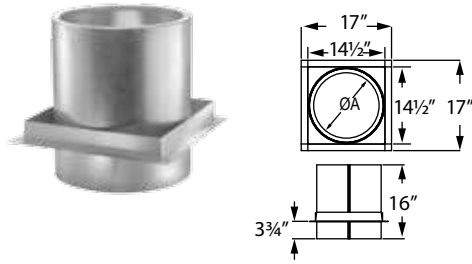
### Universal Extended Wall Support



Use above the Tee to provide support when bypassing obstructions or overhangs. An industry-first for 2" insulated chimney. Will support up to 35' of chimney. Maximum adjustment of 12 inches from horizontal. Works with 6", 7", or 8" pipe. Refer to installation instructions.

SIZE	6"	7"	8"
A	10"	11"	12"
ORDER #	6HTC-XWSU		
STOCK #	810000696		

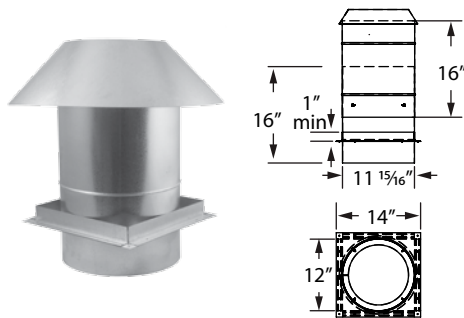
### Firestop Radiation Shield



Use in ceiling/floor penetrations when a ceiling support is not used. Not required when passing through the roof. Fits on underside of ceiling and adjusts to cover framing. Refer to installation instructions.

SIZE	7"	8"
A	11 1/4"	12 1/4"
ORDER #	7HTC-FRS	8HTC-FRS
STOCK #	810000730	810000768

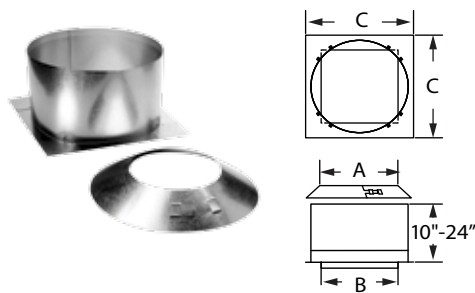
### Reduced Clearance Firestop Radiation Shield



Use in ceiling/floor penetrations when a ceiling support is not used. Can also be used as an attic insulation shield for 6" diameter installations. Required for use at ceiling levels in multi-story applications. Fits on underside of ceiling and adjusts to cover framing. This Radiation Shield also doubles as an Attic Insulation Shield. Required for use in multi-story applications where a round or square ceiling support has already been utilized on a lower floor. Comes with insulation collar. Available for use with 6" chimney only.

SIZE	6"
ORDER #	6HTC-FRSR
STOCK #	810000703

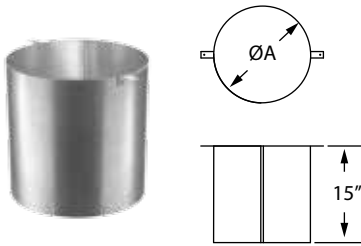
### Attic Insulation Shield



Required in all installations that pass through an attic to prevent insulation and debris from accumulating near the chimney, unless chimney is enclosed in a chase. Consists of three parts: a collar, a base, and an adjustable sleeve. Adjusts from 10"- 24" in height. Design fits 7", and 8" chimney.

SIZE	7"-8"
A	10", 11", 12"
B	14 1/4"
C	20"
ORDER #	7HTC-IS
STOCK #	810000780

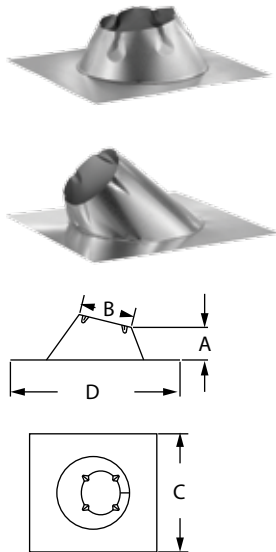
### Roof Radiation Shield



Only required when the chimney is enclosed within a chase in an attic. Pre-punched holes for adjustment to roof pitch.

SIZE	6"	7"	8"
A	13"	14"	15"
ORDER #	6HTC-RRS	7HTC-RRS	8HTC-RRS
STOCK #	810000683	810000731	810000769

### Roof Flashing



Use to weatherproof the penetration of chimney pipe through the roof. Storm Collar required. Select roof flashing based on pitch of roof. For example, a 6/12 pitch has a vertical rise of 6" over a horizontal distance of 12". Made of galvalume.

SIZE		6"	7"	8"
FLAT ROOF	A	10 3/4"	10 3/4"	11"
	B	10 1/2"	11 3/4"	12 3/4"
	C	26"	29 1/2"	29 1/2"
	D	26"	29 1/2"	29 1/2"
	ORDER #	6HTC-FF	7HTC-FF	8HTC-FF
	STOCK #	810000684	810000732	810000770
0/12-6/12 PITCH	A	6"	6"	6"
	B	10 3/4"	11 3/4"	12 3/4"
	C	26"	26"	26"
	D	26"	26"	26"
	ORDER #	6HTC-F6	7HTC-F6	8HTC-F6
	STOCK #	810000686	810000733	810000772
7/12-12/12	ORDER #	6HTC-F12	7HTC-F12	8HTC-F12
	STOCK #	810000687	810000734	810000773
13/12-18/12	ORDER #	6HTC-F18	7HTC-F18	8HTC-F18
	STOCK #	810000688	810000735	810000774
19/12-24/12	ORDER #	6HTC-F24	7HTC-F24	8HTC-F24
	STOCK #	810000689	810000736	810000775

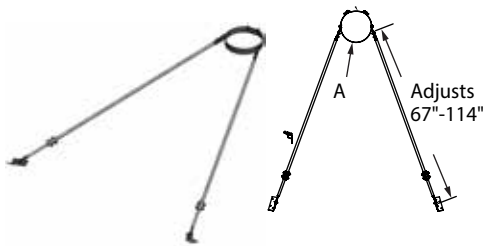
### DSA Roof Flashings



Use with metal or tile roofs. Available in sizes 6" and 8" in 0/12-6/12 (shown) and 7/12-12/12 styles. Dead-Soft-Aluminum (DSA) flashings are ideally suited for use with metal or tile roofing. Use to weatherproof the penetration of chimney pipe through the roof. Storm Collar is required. Select roof flashing based on roof pitch. Refer to Roof Flashing table for dimensions.

SIZE		6"	8"
0/12-6/12	ORDER #	6HTC-F6DSA	8HTC-F6DSA
	STOCK #	810000690	810000776
7/12-12/12	ORDER #	6HTC-F12DSA	8HTC-F12DSA
	STOCK #	810000691	810000777

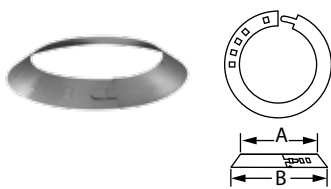
### Universal Extended Roof Bracket



Use to support the chimney when it extends more than 4' above the roof. Provides stability to chimney against wind and snow. Mounting brackets and adjustable tubing included. Works with 6", 7", and 8" chimney

SIZE	6"	7"	8"
A	10"	11"	12"
ORDER #	6HTC-XRSU		
STOCK #	810000700		

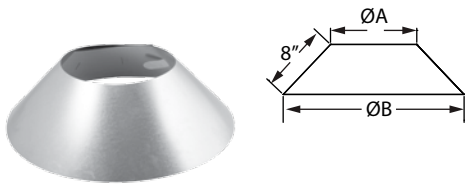
### Universal Storm Collar



Required with DuraPlus HTC flashing to create a weather proof penetration through the roof line. Seal inner edge of the collar to the chimney pipe with non-hardening 500°F high-temperature sealant. Made of aluminum. Works with 6", 7", or 8" pipe.

SIZE	6"	7"	8"
A	10"	11"	12"
B	13"	14"	15"
ORDER #	6HTC-SCU		
STOCK #	810000692		

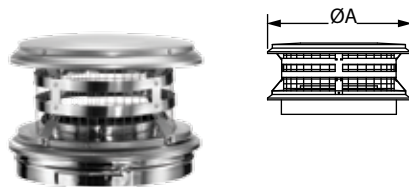
### Universal Oversized Storm Collar



Use to provide cover for extreme weather conditions. Use with DuraPlus HTC flashing to create a weather proof penetration through the roof line. Seal inner edge of the collar to the chimney pipe with non-hardening 500° F high-temperature sealant. Made of aluminum. Works with 6", 7", or 8" chimney.

SIZE	6"	7"	8"
A	10"	11"	12"
B	21"	23 1/8"	25 1/4"
ORDER #	6HTC-OSCU		
STOCK #	810000693		

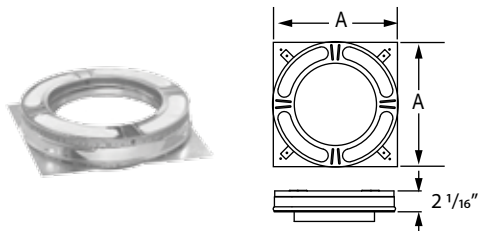
### Chimney Cap



Required on all chimney terminations. Top portion is easily removed to permit easy inspection or cleaning of the chimney and spark arrestor screen. Made of durable stainless steel.

SIZE	6"	7"	8"
A	11"	15"	15"
ORDER #	6HTC-VC	7HTC-VC	8HTC-VC
STOCK #	810000702	810000738	810000779

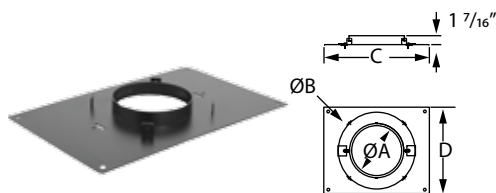
### Base Plate



Use Base Plate to connect DuraPlus HTC directly to a zero-clearance fireplace. Mount directly to the outlet on factory-built fireplaces to permit installation with DuraPlus HTC chimney.

SIZE	6"	7"	8"
A	10"	11"	12"
ORDER #	6HTC-BP	7HTC-BP	8HTC-BP
STOCK #	810000676	810000728	810000763

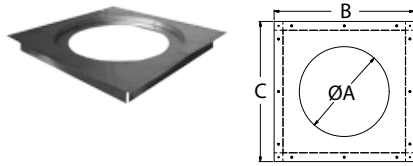
### Transition Anchor Plate



Use Transition Anchor Plate with DuraPlus HTC when extending or converting from DuraLiner to DuraPlus HTC in chimney restoration. Use with DuraLiner Slip Connector and Hanger. See DuraLiner section. Refer to DuraLiner installation instructions.

SIZE	ORDER #	STOCK #	A	B	C	D
6"	6HTC-AP14x17	810000678	6 1/8"	10 3/8"	17"	14"
6"	6HTC-AP17x17	810000679	6 1/8"	10 3/8"	17"	17"
6"	6HTC-AP17x21	810000680	6 1/8"	10 3/8"	21"	17"
8"	8HTC-AP14x17	810000764	8 1/8"	12 3/8"	17"	14"
8"	8HTC-AP17x17	810000765	8 1/8"	12 3/8"	17"	17"
8"	8HTC-AP17x21	810000766	8 1/8"	12 3/8"	21"	17"

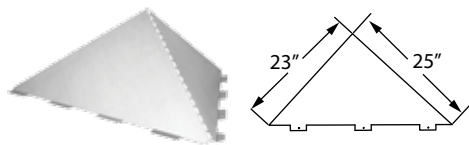
### Soffit/Overhang Trim Plate



Use when the chimney penetrates through an exterior eave or soffit. Trim collar is ideal for concealing the gap between the chimney pipe and the underside cut-out on an eave or soffit. Neat, clean, professional fit eliminates the need to improvise with field-fabricated solutions. Not for use as a firestop.

SIZE	6"	7"	8"
A	10¼"	11¼"	12¼"
B	16¼"	17¼"	18¼"
C	14¼"	15¼"	16¼"
ORDER #	6HTC-STP	7HTC-STP	8HTC-STP
STOCK #	810000677	810000721	810000756

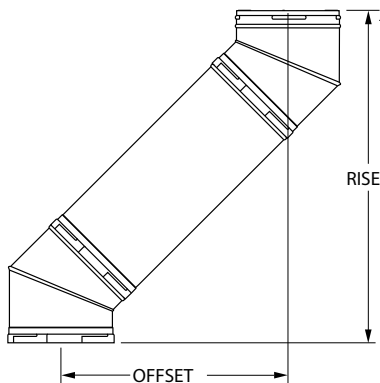
### Snow Splitter



Use to divert snow around chimney, vent, and roof flashing. Constructed of paintable galvanized material. Ships flat for easy assembly.

SIZE	6"	7"	8"
ORDER #	6DT-SP		
STOCK #	810000139		

### Offset Chart



SIZE		6" DIAMETER		7" DIAMETER		8" DIAMETER	
Elbow Degrees	Chimney Section	Offset Inches	Rise Inches	Offset Inches	Rise Inches	Offset Inches	Rise Inches
15°	0"	1 ½"	12"	1 ¾"	13 ½"	1 ¾"	13 ½"
15°	12"	4 ¼"	23 ½"	4 ¼"	20 ½"	4 ¼"	23 ½"
15°	24"	7 ½"	34"	7 ¾"	35 ½"	6 ¾"	35 ½"
15°	36"	10 ½"	45 ½"	10 ¾"	46 ¾"	9 ½"	47"
15°	48"	13 ¼"	55 ½"	13 ½"	57"	12"	57 ¼"
30°	0"	3 ¾"	14 ¼"	3 ¾"	14 ¼"	3 ¾"	14 ¾"
30°	12"	9"	24"	9"	24"	9"	24"
30°	24"	15"	33 ¾"	15"	33 ¾"	14 ¾"	34 ¼"
30°	36"	21"	44"	21"	43 ½"	20 ½"	44 ¾"
30°	48"	26 ¼"	53"	26"	52 ½"	25 ½"	53 ¾"
45°	0"	7 ⅝"	19 ⅞"	7 ⅝"	19 ⅞"	7 ⅝"	19 ⅞"
45°	12"	16"	28 ¼"	16"	28 ¼"	16"	28 ¼"
45°	24"	24 ½"	36 ⅞"	24 ½"	36 ⅞"	24 ½"	36 ⅞"
45°	36"	33"	45 ¼"	33"	45 ¼"	33"	45 ¼"
45°	48"	41 ½"	53 ¾"	41 ½"	53 ¾"	41 ½"	53 ¾"