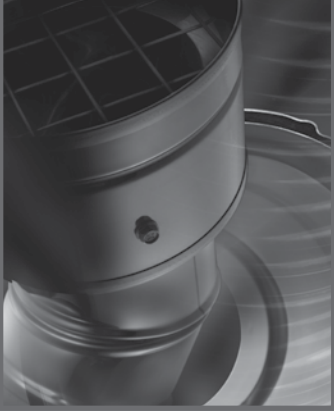


Installation Instructions



Venting System for Pellet, Corn, Oil,
and Biofuel appliances.

SECURE PELLETT



A MAJOR CAUSE OF VENT RELATED FIRES IS FAILURE TO MAINTAIN REQUIRED CLEARANCES (AIR SPACES) TO COMBUSTIBLE MATERIALS. IT IS OF THE UTMOST IMPORTANCE THAT DOUBLE WALL SECURE PELLET BE INSTALLED ONLY IN ACCORDANCE WITH THESE INSTRUCTIONS.

NOTE:

Read through all of these instructions before beginning your installation. Failure to install as described in this instruction will void the manufacturer's warranty, and may have an effect on your homeowner's insurance and UL listing status. Keep these instructions for future reference. This booklet also contains instructions for installing a venting system within an existing masonry chimney, and for installations passing through a cathedral ceiling.



LISTED
MH25317

CONTENTS

Clearances, Vent Listing, Installation Notes, Lubricants & Gaskets 4
Sealants, Fuel Selection, Best Practices 5
Tools Needed, Permits, General Installation Instructions6
Installation into Masonry Fireplaces 14
Installation Through Side of Masonry Chimney17
Installation in a Cathedral Ceiling 18
Cleaning and Maintenance 20



CLEARANCES AND APPLICATIONS

Security Chimney's Secure Pellet is listed by Underwriters Laboratories as vent for listed appliances that burn oil, pellet, corn, and other biofuels. Secure Pellet is also listed as a masonry reliner with the minimum clearance 0" from vent to masonry, and 0" clearance from the masonry to nearby combustibles. Never fill any required clearance space with insulation or any other materials. Combustible materials include (but are not limited to) lumber, plywood, sheetrock, plaster and lath, furniture, curtains, electrical wiring, and building insulation of any kind.

In the United States and Canada the minimum clearance to combustibles from Secure Pellet is 1" for oil, pellet, corn or other biofuel applications.

VENT LISTING

Secure Pellet is listed by Underwriters Laboratories to the American standard UL 641 Type L Low Temperature Venting Systems, and also to the Canadian standards ULC S609 Standard for Low Temperature Vents Type L and ULC/ORD-C441 Standard for Pellet Vents.

INSTALLATION NOTES

Proper planning for your Secure Pellet installation will result in greater safety, efficiency, and convenience. Use only authorized Security Chimney and M&G Duravent listed parts. Do not install damaged parts.

- 1. WARNING:** When passing through ceilings and walls, make sure all combustible materials and building insulation products are a minimum of 1" from the vent pipe.
2. For horizontal terminations, make sure

NFPA 211 rules are followed for minimum distance from windows and openings.

3. Do not mix and match with other manufacturer's products or improvised solutions.
4. Practice good workmanship. Sloppy work could jeopardize your installation.
5. Never use a vent with an inside diameter that is smaller than the appliance flue outlet.
6. Multistory: Where Secure Pellet passes through the ceiling, use Security Chimney's Firestop/Support assembly.
7. Vent placement: When deciding the location of your stove and vent, try to minimize the alteration and reframing of structural components of the building.
8. Sections of pipe are connected to each other by pushing them firmly together and twisting. Screws are not required. However, if screws are desired, use 1/4"-long sheet metal screws. Important! Do not penetrate the inner liner with screws.
9. Never install single-wall pipe to freestanding pellet stoves. Single-wall pipe may be connected to a fireplace insert, provided it is inside the fireplace, and the fireplace has completely sealed surroundings.
10. Do not connect Type B Gas Vent pipe with aluminum liners to pellet appliances.

LUBRICANTS & GASKETS

Secure Pellet utilizes an internal O-ring gasket on the outside of the inner liner in the female end of the Pipe Section. These gaskets are lubricated and help seal Pipe Sections as they are connected together. If your O-ring gasket is missing or it becomes unseated during connection, you must replace and lubricate the new O-ring gasket. Replacement gaskets and silicone lubricants are available to order from the catalog or our website.

SEALANTS

Secure Pellet does not require additional sealant to be used at pipe joints, but in certain circumstances sealant may be used if desired. Seal the inner liner overlap at the male end of pipe for best results (**Figure 6**)

Note: 500°F RTV silicone sealant is required on the following component connections: Connecting Appliance Adapter or any other part when connecting to the appliance outlet. When using the Adjustable Length section.

FUEL SELECTION, BEST PRACTICES

Secure Pellet is a multi-fuel venting system approved for burning wood pellets, corn, and other approved biofuels, plus, oil and kerosene. Be sure to follow the recommendations of the appliance manufacturer for the burning of corn or other types of biofuel. A major reason for accelerated vent corrosion from burning corn is due to acidic condensate forming in the system. The moisture content of corn contributes significantly to condensate in the vent. The lower the moisture content of the corn, the less condensate you are likely to have in the vent. While corn with a moisture content of 15% may be allowed in the appliance, using a fuel with lower moisture content will help reduce condensate formation.

Vent Runs: Condensate is more likely to form in longer vents because the exhaust temperature cools further away from the appliance. If the exhaust cools to a certain point, moisture in the exhaust condenses in the vent, which can lead to accelerated vent corrosion. Keep the vent for corn-burning appliances short wherever possible to maintain hot flue gas temperatures and keep moisture suspended in the exhaust. If a

longer horizontal vent or taller vertical vent is needed, it is recommended that the vent run inside the building envelope or inside a chase enclosure to minimize the vent's exposure to cold temperatures. When terminating a corn burning system horizontally a stainless steel outer Pipe Section and the Round Horizontal Termination Cap are required. Be sure to follow all other applicable building codes and maintain all minimum clearances in enclosures.

Appliance Operation: Regardless of the fuel you choose always operate your appliance in accordance with the appliance manufacturer's recommendations. If you burn corn, operating the appliance at its lowest setting has a greater chance for condensate to form in the vent due to the low exhaust temperature. In order to help reduce condensate from forming inside the vent system, operate the appliance at higher temperatures when colder weather is encountered. Higher operation settings provide for warmer flue temperatures, which help to keep moisture suspended in the flue gases.

Inspection and Maintenance: When burning corn, be sure to inspect the appliance and vent often to determine if there has been any corrosion or damage to the system. Be sure to keep the venting system clean, including the tee cap (if applicable). The ash that results from burning corn can trap condensate in the tee cap and inside the vent, hastening corrosion to the system if left unchecked. Using pelletized fuel does not eliminate the need for inspection and cleaning. Lesser quality pellets create more soot accumulation and can clog venting sooner than the cleaner burning pellets. While it is not necessary to clean out liquid fuel burning systems with a brush, all other systems should be visually

inspected monthly during the heating season, and cleaned at least once a year

TOOLS AND EQUIPMENT YOU MAY NEED

Eye Protection
Gloves
Screwdriver
Hammer
High-Temperature Waterproof (RTV) Sealant
Tape Measure
Saber or Keyhole Saw
Level and Plumb bob

PERMITS

Contact your local building department or fire officials regarding any needed permits, restrictions, and installation inspection requirements in your area.

GENERAL INSTALLATION INSTRUCTIONS

Secure Pellet is listed with a minimum 1" clearance to combustibles

1. Follow the stove/appliance manufacturer's instructions.

- A.** Choose an appliance that is listed by a recognized testing laboratory.
- B.** Connect only one flue per appliance.
- C.** Only burn fuels approved for use by your appliance manufacturer.
- D.** Follow the appliance manufacturer's instructions and safety manual for maximum efficiency and safety. Over firing can damage the appliance and vent.

2. If the vent exit is on top of the stove (**Figure 1**):

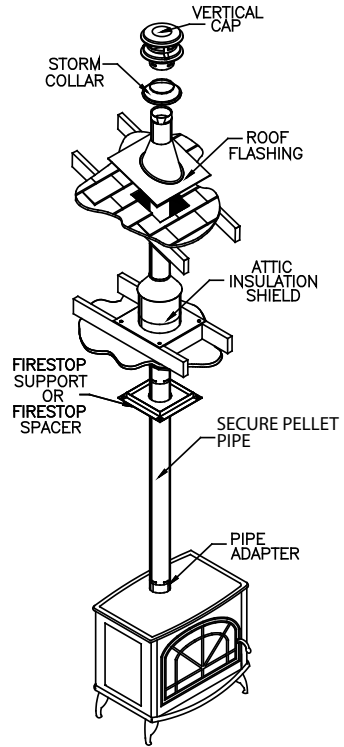


Figure 1

- A.** Place the appliance according to the manufacturer's instructions.
- B.** Drop a plumb bob to the center of the appliance flue outlet and mark center point on the ceiling (**Figure 2**). At your marked center point, cut and frame a square hole in the ceiling for installation of the Ceiling Support or Firestop Spacer (**Figure 3**). Refer to **Table 1** for the dimensions of the hole.
- C.** Connect Pipe Adapter or Increaser Adapter to stove: Due to the variety of different stove collars, the Pipe Adapter will need high-temperature non-hardening sealant in order to achieve a leak-free connection. .
- D.** Connect Pipe Sections. Attach Secure Pellet Pipe Sections by pushing male and

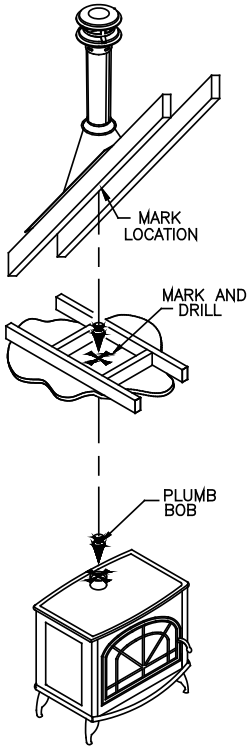


Figure 2

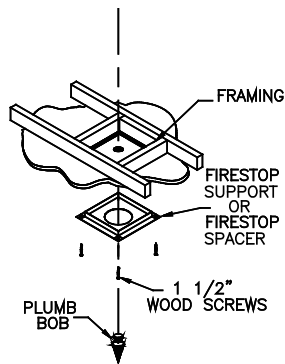
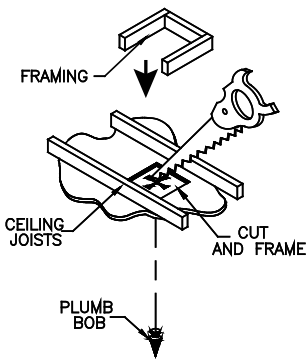


Figure 3

female ends of pipe together and twisting until pipe is in locked position (**Figure 4**). Pipe sections do not require any sealant; however in certain instances high temp silicone sealant may be used. Seal connection where the inner liners overlap for best results (**Figure 5**). Screws are not needed, but 1/4" screws can be used if desired, however, be sure you do not penetrate the inner liner.

E. When the pipe passes through the Ceiling Support Firestop Spacer at ceiling, tighten bolt and clamp around pipe. Where the vent passes through additional floors and ceilings, always install a Ceiling Support Firestop

SECURE PELLET COMPONENT	FRAMING DIMENSIONS
3" & 4" CEILING SUPPORT / FIRESTOP SPACER	7" X 7"
3" & 4" CATHEDRAL CEILING SUPPORT BOX	10 3/4" X 10 3/4"
3" & 4" WALL THIMBLE 3" & 4" CAS WALL THIMBLE	7 1/2" x 7 1/2"
3" & 4" WALL THIMBLE AIR INTAKE KIT	9" X 9"

Table 1

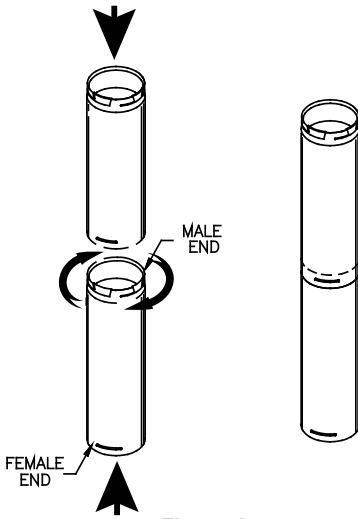


Figure 4

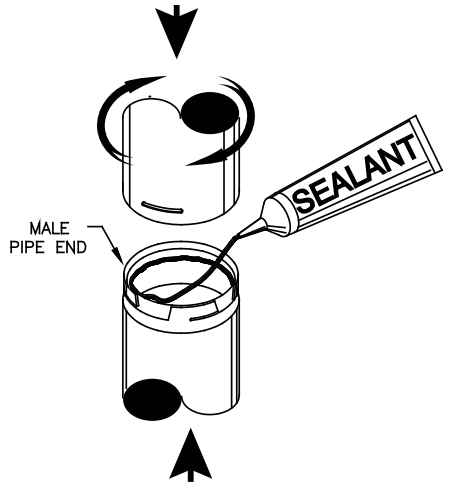


Figure 5

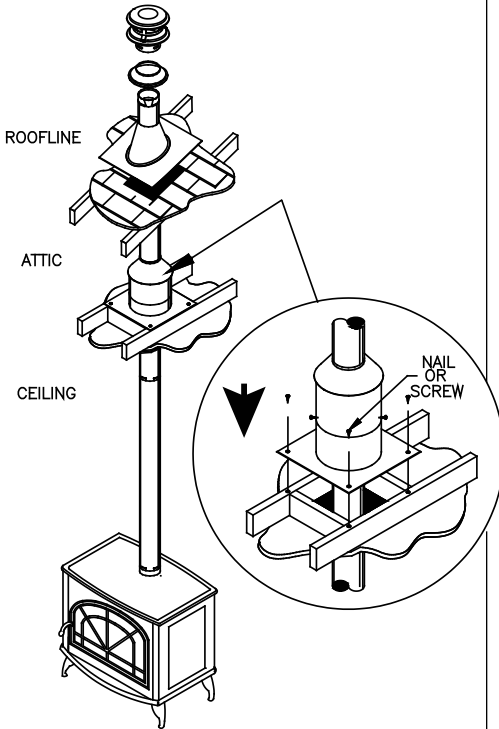


Figure 6

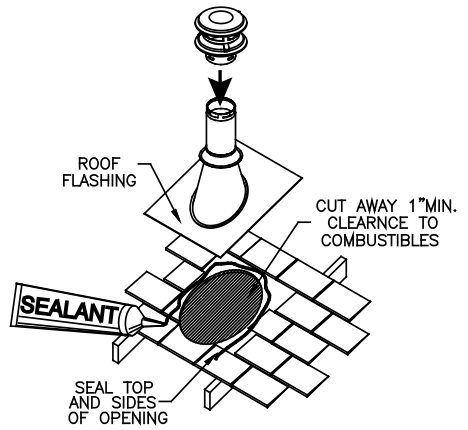


Figure 7

Spacer.

F. ALWAYS MAINTAIN AT LEAST 1" CLEARANCE FROM COMBUSTIBLE MATERIALS TO THE VENT PIPE.

G. When the Vent enters the attic, install an Attic Insulation Shield around the vent (**Figure 6**). This will prevent insulation and debris from collecting near the vent pipe. Use (4) nails or wood screws to secure the base of the Attic Insulation Shield to the framed opening. Adjust the height of the Attic Insulation Shield by sliding the top cylindrical shield over the one from the base. Ensure that the top of the Shield is above the level of building insulation. Secure the Shield in place with at least two (2) sheet metal screws through the side of the cylindrical shield. Attach collar around pipe, then lower to the top of the Attic Insulation shield.

H. After lining up for the hole in roof, using the same method as 2. (B), cut either a round or square hole in the roof (**Figure 7**). Always cut the hole with the proper clearance to the vent pipe. Install the upper edge and sides of Flashing under the roofing materials and nail to the roof along the upper edge and sides (**Figure 8**). Do not nail across the lower edge. Seal all nail heads with non-hardening waterproof sealant.

I. To finish, apply non-hardening waterproof sealant where the Storm Collar will meet the vent and Flashing; slide Storm Collar down until it rests upon the Roof Flashing (**Figure 9**). Holding the base of Cap, firmly twist lock your Vertical Termination Cap onto, supported Pipe Section protruding through the roof line.

3. If the flue exits on back of stove and an interior installation is desired (**Figure 10**):

A. Place the appliance according to the manufacturer's instructions.

B. Connect the Tee Adapter or combine Tee

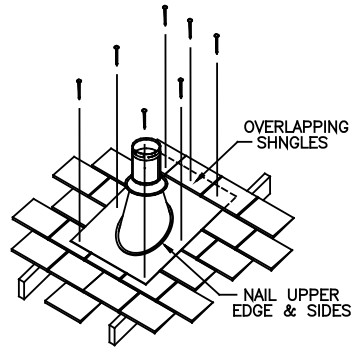


Figure 8

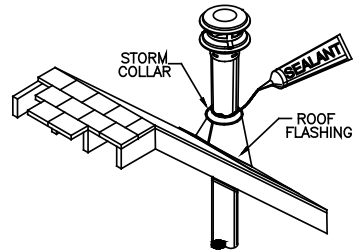


Figure 9

with Cleanout and Pipe Adapter then seal and secure the Pipe Adapter to the back of the stove.

C. Continue to assemble Pipe Sections as described in **Step 2**.

4. If the flue exit is on the back of stove, and an exterior vertical installation or partial vertical installation is desired (**Figure 11**):

A. Place the appliance according to manufacturer's instructions.

B. Cut and frame a square opening in the wall as specified in **Table 1**. Vent can be installed with the standard Wall Thimble, or Wall Thimble Air Intake Kit. The Wall Thimble Air Intake Kit allows combustion air to be drawn through the framed Thimble opening,

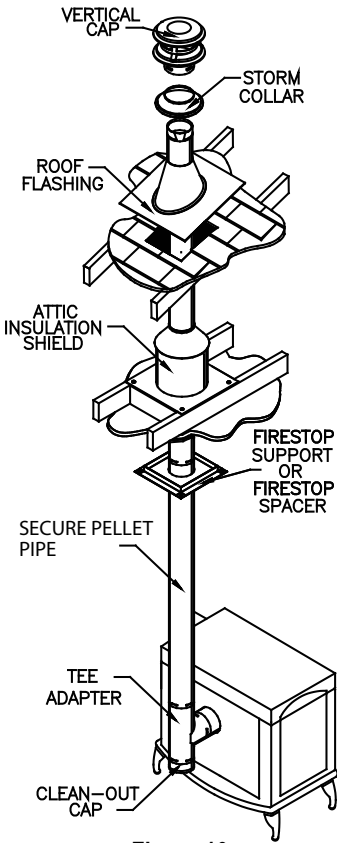


Figure 10

eliminating the need to cut another opening in wall. The small flex provided with this kit allows connection to the Pellet Stove combustion air inlet. Note that when installing the Wall Thimble Air Intake Kit, the pipe will not be centered within the framed opening. Loosely assemble both halves of the Wall Thimble onto Pipe Section. Connect the flexible hose with clamp to the exterior half of the Wall Thimble. Guide the flex through the opening in black interior half of Wall Thimble, gently pull the flex towards appliance (Figure 12), and if necessary trim excess flex to required length with snips. Secure flex to combustion air inlet

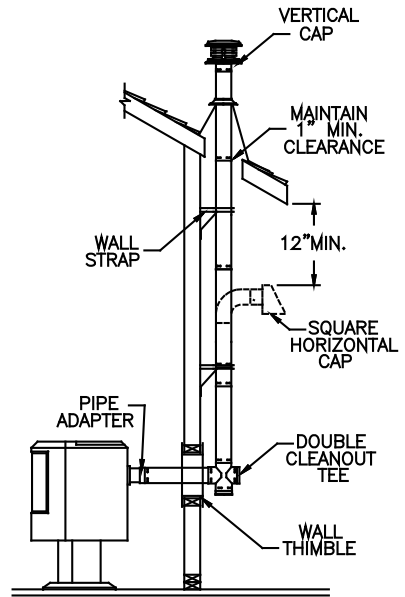


Figure 11

of the stove with clamp provided. Only connect metal flex to the appliance; do not substitute or install plastic flex. The cover plate comes installed on the lower left corner of the thimble with intake guard pointing downward to deflect rain. If it is desired to rotate thimble and air inlet to another corner, remove the (2) screws on the inlet guard and re-attach over air inlet at new location. Secure black interior half of the Wall Thimble to the interior wall, and the unpainted exterior half are to be secured to the exterior wall on both styles of thimbles (Figure 13). The Wall Thimbles adjust to fit walls from 4"-8" thick. For installation in thicker walls an extension tube may be field fabricated. **WARNING:** Do NOT install any insulation or other material within the Wall Thimble itself. Doing so can create a fire hazard. The Wall Thimble requires the created air clearance from the pipe in order to make a safe installation. However, building insulation

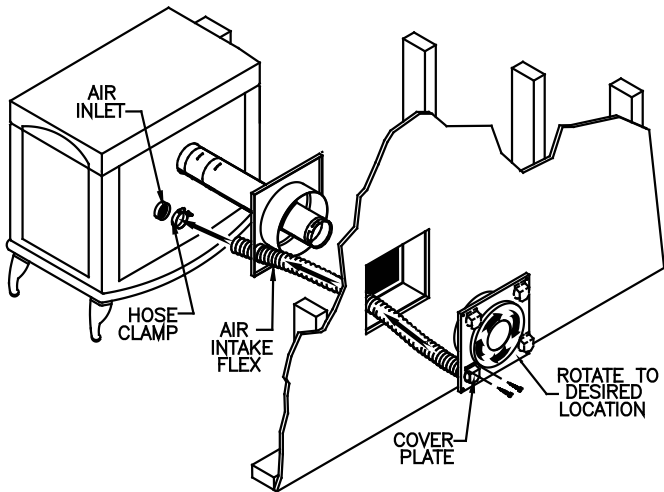


Figure 12

may be installed around the outside of the Wall Thimble.

C. Connect a Pipe Adapter and Pipe Section together then seal connection to rear exhaust outlet. Attach a Single Tee with Clean out adapter or a Double Tee with Clean-Out Adapter, and proceed attaching Pipe Sections up the wall. Installing a Double Tee with Cleanout Adapter on the exterior of wall, allows brushing of the Horizontal Vent run through to appliance (**Figure 14**).

D. Attach Wall Strap just above the tee. Wall Straps must be placed every 8-feet along an exterior vertical run (**Figure 15**). If your exterior vertical run terminates horizontally before penetrating the roofline, install at least one Wall Strap on the Pipe Section before 90 Degree Elbow and Horizontal Cap (**Figure 16**). Under no circumstances can a Vertical Cap be installed adjacent to vertical wall. Secure Pellet Vent offers fixed and Adjustable Wall Straps to maintain a 1"-3" clearance, as desired. If Assemble Pipe Sections in the same manner described in Step 2 of the general instructions.

E. Seal the exterior section of the Wall Thimble to the wall with non-hardening

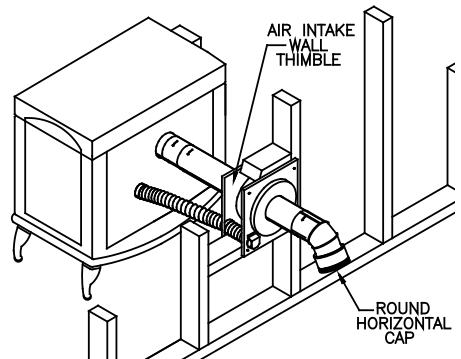


Figure 13

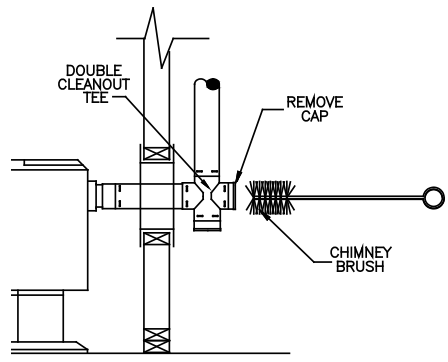


Figure 14

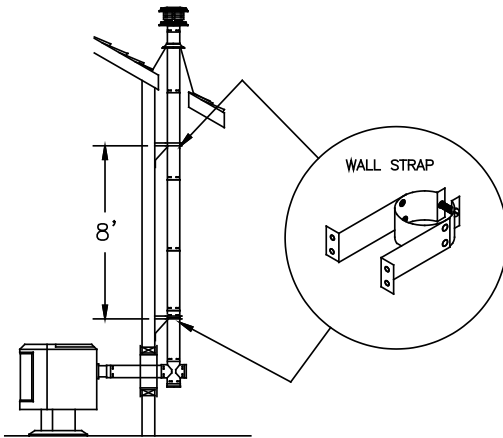


Figure 15

waterproof sealant. As an option, you may also seal the gap between the pipe and Wall Thimble with sealant.

5. If the flue exit is on back of the stove, and a horizontal through-the-wall installation is desired (**Figure 13**):

A. Place the appliance according to manufacturer's instructions.

B. Connect the Appliance Adapter and sufficient Pipe Sections the seal and secure to back of stove. Horizontal Pipe sections must penetrate Wall Thimble and extend at least 6" beyond the exterior wall after Horizontal Cap is attached. If you are burning Corn you must use a Round Horizontal Cap. Pipe Sections exposed to exhaust gases between wall and Cap must have a Stainless Steel outer liner. The Round Horizontal Cap can be swiveled to be directed away from nearby objects (fence, plants, etc.), but must still be pointing in a generally downward direction. Important: Horizontal Caps must be pointed in a downward direction to insure rain and snow do not enter the cap, and cause potential damage to the appliance.

C. Follow the below listed NFPA 211 rule for distance of exit terminal from windows and openings:
NFPA 211 (2006 ed.) Section 10.4 Termination:
10.4.5

(1) The exit terminal of a mechanical draft system other than a direct vent appliance (sealed combustion system appliance) shall be located in accordance with the following:

(a) Not less than 3 ft (.91m) above any forced air inlet located within 10 ft. (3m).

(b) Not less than 4 ft. (1.2m) below, 4 ft. (1.2m) horizontally from or 1 ft. (305mm) above any door, window or gravity air inlet into any building

(c) Not less than 2 ft. (0.61m) from an adjacent building and not less than 7 ft. (2.1m)

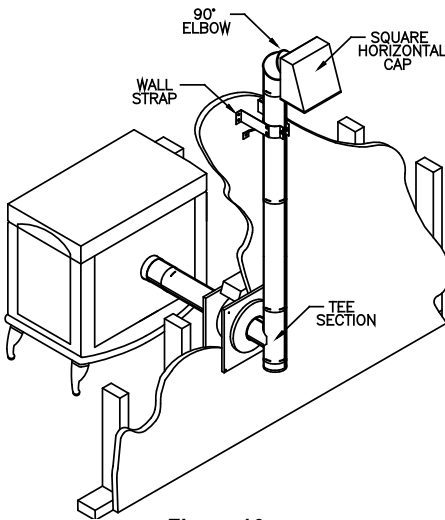


Figure 16

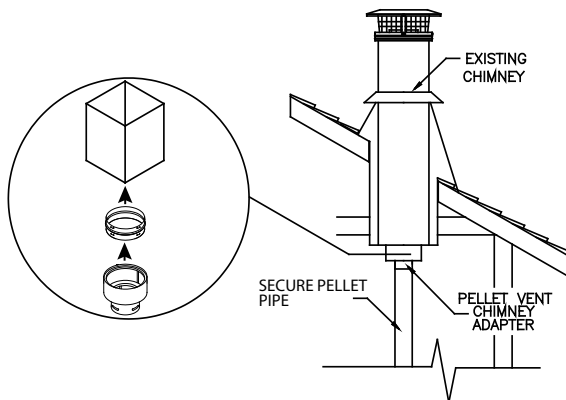


Figure 17

above grade when located adjacent to public walkways.

If using the Wall Thimble Air Intake Kit, the installation may be considered a direct vent system, as defined by NFPA 211. Check with local building officials for clarification. If so, the clearances for the exit terminal are as follows: For an appliance with an input of 10,000 Btu/h (2930 W) or less, the vent terminal shall be located at least 6" from any opening into a building. For an appliance with an input of greater than 10,000 Btu/h but less than 50,000 Btu/h (14650 W), the vent terminal shall be located not less than 9" from any opening into a building. For an appliance with an input over 50,000 Btu/h (14650 W), the vent terminal shall be located not less than 12" away from any building opening. The bottom of the vent terminal and air intake must be located a minimum of 12" above grade.

6. If it is desired to attach to an existing 6"-8" factory built chimney, either roof supported or ceiling supported (**Figure 17**):

A. Remove any existing connector pipe, adapter or connector going into the ceiling support box.

B. Visually inspect with a flashlight the condition of the interior of the chimney for cleanliness and structural integrity. All evidence of soot and creosote must be removed from the existing chimney system. If you doubt your ability to accomplish this, contact a certified chimney sweep. Do not use chemical cleaners, as these can possibly damage the inside of the chimney. Do any required maintenance on the existing chimney system at this time.

C. Install an approved Chimney Adapter in the existing Ceiling Support Box.

D. Connect the appropriate size Chimney Adapter to the corresponding Secure Pellet Vent / Chimney Adapter.

E. Connect the appliance to the Secure Pellet Chimney Adapter using an Appliance Adapter, lengths of pipe as required, and an Adjustable Length pipe. Slide the Adjustable Length down over the top pipe section, position the installation vertically plumb, then slip the Adjustable Length up and twist lock it to the Chimney Adapter. Once all the components are firmly seated and properly aligned, carefully drill three 1/8" diameter holes through the outer sleeve only in the center of the slots located at the bottom of the Adjustable Length

pipe. Do not penetrate the inner liner. Use (3) 1/4" length sheet metal screws to secure the Adjustable Length pipe.

INSTALLATION INTO A MASONRY FIREPLACE

1. Have the masonry chimney inspected by a certified chimney sweep or installer to determine its structural condition.
2. Carefully read the pellet stove or insert installation instructions.
3. Measure and record the dimensions as shown in **(Figure 18)**.
4. Use dimension "A" to determine total pipe requirements. Add 12 additional inches to ensure the termination is an adequate distance above the roofline.
5. The gross pipe required will be dimension "A" plus 12 inches. Five feet of this will be Flex Pipe.

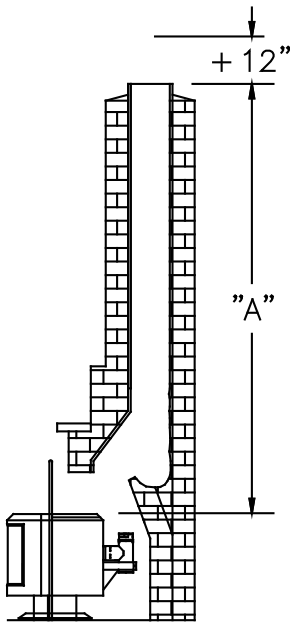


Figure 18

Pipe. The remainder will be rigid pipe. For each joint, subtract 1-1/2 inches to allow for the overlap. You may need extra pipe, or an adjustable length pipe section to achieve the correct height.

6. Assemble the first rigid Pipe Section to the Flex Pipe, ensuring that the "UP" arrows shown on the pipe labels are, in fact, pointing up. Push the sections together and twist to lock. Screws are not required for a firm lock, however, should it be desired to use them, use stainless steel sheet metal screws 1/4-inch long - do not penetrate the inner liner of the pipe.
7. Repeat this process for the remainder of the pipe sections, and lower the assembly down the chimney as shown in **(Figure 19)**. Lower it below its normal position in order to connect the Flex Pipe to the pipe on the

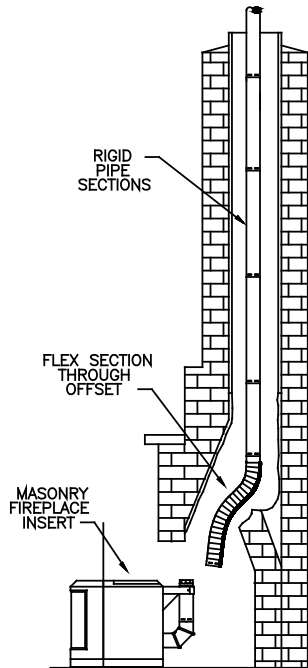


Figure 19

appliance. It may be necessary to tie a line to the top section, to pull it back up later.

8. In making the connection at the appliance, configurations other than the one shown in (Figure 20) may be made. It may be necessary to contact the manufacturer of the unit to determine exactly what may or may not be done to make the correct connection. Some typical arrangements are shown in (Figures 21 and 22). An Appliance Adapter or Increaser Adapter may be needed, depending on the exit size of the stove or insert collar.

9. If a Tee or Tee Adapter is necessary to make the connection, as shown in (Figure 22), the Tee has a removable Clean out Adapter on its base to enable cleaning. The Tee Support Bracket to hold the Tee to the rear of the appliance is mandatory. If it is desired to mount

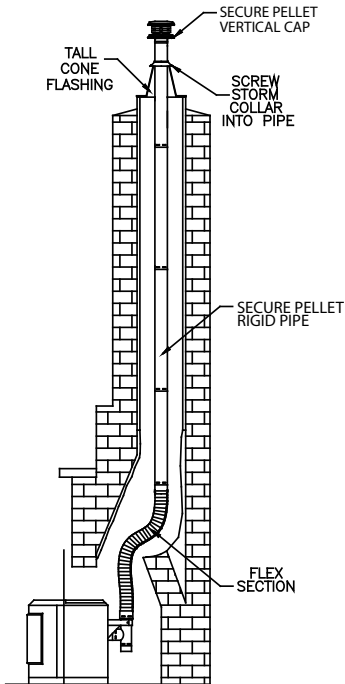


Figure 20

the Tee Support to the rear of the stove, obtain approval from the manufacturer of the stove before drilling, tapping, or performing any other alterations to the appliance.

10. Connect the appliance to the coupling on the bottom of the Flex Pipe, by twisting to the locked position. Push the appliance into the fireplace to its final resting place. Go to the top of the chimney and pull the vent system up to its desired height.

11. For support at the termination of the Vent, use a Tall Cone Flashing, and a Storm Collar. This will require 14 inches of pipe above the top of the masonry chimney. Pull the pipe up through the flashing to the desired height.

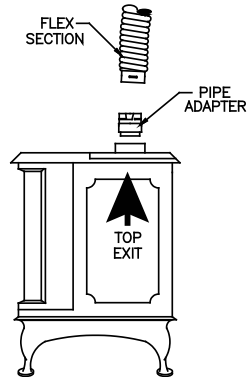


Figure 21

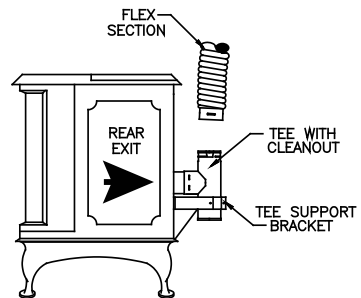


Figure 22

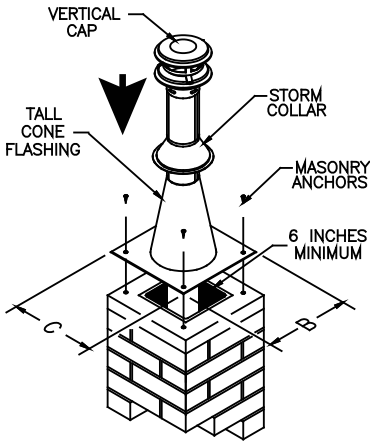


Figure 23

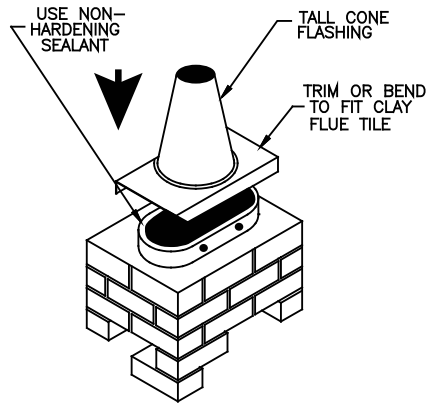


Figure 25

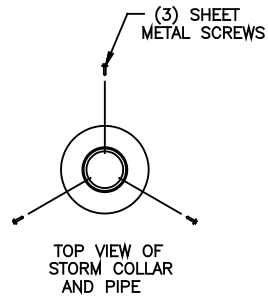
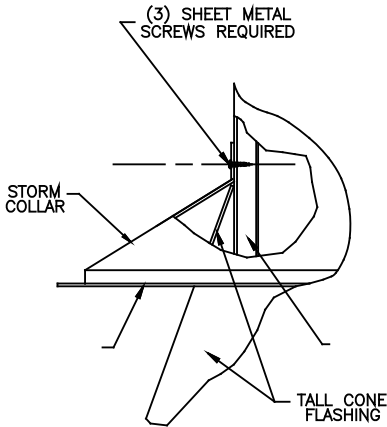


Figure 24

Mark location of the Storm Collar. Slip the Storm Collar down over the pipe and affix it to the pipe with a 1/4"-long stainless steel sheet metal screw (**Figures 23 & 24**). The Storm Collar will then support the entire vent system. Install the Cap. Seal the joint at the Storm Collar, and any other joints or seams which may appear suspect. (**Figure 25**) shows a Tall Cone Flashing modified to fit a chimney where the tile liner protrudes above the masonry, as another alternate termination technique. This completes the masonry installation.

INSTALLATION THROUGH SIDE OF MASONRY CHIMNEY

1. Set the appliance in its final location and mark the center of the hole where the pipe is to penetrate the masonry chimney. Ensure that you comply with the manufacturer's specifications in regards to clearance and distances from combustible surfaces.
2. The Secure Pellet system is assembled essentially the same as previously described for installation in an existing masonry chimney with the exceptions listed:
 - A. No Flex Pipe is required, unless the masonry chimney has an offset. If an offset exists, then a Flex Pipe will be needed from the offset down to opening in masonry.
 - B. A Tee Section is installed at the bottom end of the vertical pipe (**Figure 26**).
 - C. A Reduction Collar or a Trim Collar is required to go around the pipe section that passes through the masonry to give it a finished look.
3. It will be necessary to break out the masonry around the location of the pipe center line mark to a diameter of at least 4 inches for 3 inch pipe, and at least 5 inches in diameter for 4 inch pipe.
4. Install the Tee on the bottom of the vertical pipe system and lower it down the chimney

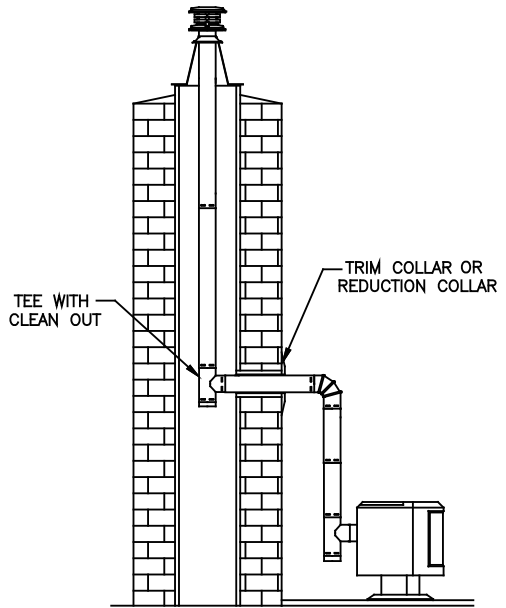


Figure 26

- until the center of the branch of the Tee is level with the center of the hole in the masonry. Connect horizontal pipe section to the Tee branch.
5. Holding the pipe at the proper elevation, install the Storm Collar and Cap, as described in **Step 11** for the fireplace installation.
6. Connect the horizontal Pipe Section through the masonry to the Tee by pushing it through the hole in the masonry, and lining it up with the branch of the Tee. Then insert Pipe Section into the Tee, while twisting to lock it.
7. Once the horizontal Pipe Section is in place, the space between the pipe and the masonry may be filled with high temperature grout, if desired (**Figure 27**).
8. Install the Reduction Collar or Trim Collar over rough opening, then 90° Elbow, and the required vertical Pipe Sections down to the appliance. An Adjustable Pipe length will probably be needed, as well as an Appliance

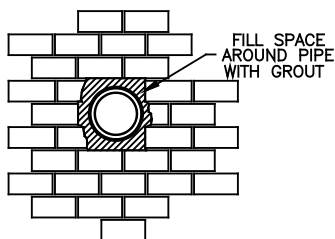


Figure 27

Adapter or Inceaser Adapter.

9. Conduct a final inspection of the entire job, and review the manufacturer's operating and installation instructions once more, before firing the appliance.

INSTALLATION IN A CATHEDRAL CEILING

1. Mark a line on the side of the Cathedral Ceiling Support Box to correspond to the line of the roof pitch, as shown in **(Figure 28)**.

Allow for the Support Box to protrude below the low side of the finished ceiling a minimum of 2 inches.

2. Position the appliance at its proper location on the floor. Pay close attention to the manufacturer's installation instructions regarding the clearance to combustibles, etc. Position appliance so Support Box will not interfere with roof rafters or other structural framing.

3. Run a plumb line from the center of the flue exit on the stove to the ceiling. Mark the point on the ceiling where the plumb line intersects. This represents the center of the support box. Drill a small hole through the ceiling at this point, so it can be located from the top of the roof.

4. From the roof, locate and mark the outline of the Support Box.

5. Remove shingles or other roof covering as

necessary to cut the rectangular hole for the Support Box. Cut the hole 1/8-inch larger than the dimensions of the Support Box **(Figure 29)**. The rectangular hole should be centered on the small hole which you drilled through the ceiling to mark the location. Again, verify that you are not cutting through rafters or framing members.

6. Run the Support Box through the roof as shown in **(Figure 30)**, and place it so that the bottom of the Support Box protrudes at least 2 inches below the low side of your opening in the finished ceiling **(Figure 31)**. Align the Support Box vertically and horizontally with a level. Temporarily tack the Support Box in place through the inside walls and into the roof sheathing.

7. If the Support Box protrudes above the roofline use tin snips to cut from the top corners down to the roof line, and fold the resulting flap over the roof sheathing **(Figure 32)**. Before nailing it to the roof, run a bead of non-hardening sealant around the outside top edges of the Support Box so as to make a seal between the box and the roof. Clean out any combustible material or debris from inside the Support Box.

8. Place the Support Clamp, included with Support Box, loosely around Pipe Sections running through hole in Support Box **(Figure 33)**.

9. Connect the necessary amount of Pipe Sections to reach the stove and extend at least 12-inches above the roof before attaching Termination Cap **(Figure 32)**.

10. After all Pipe Sections and components are assembled and connected down to the appliance seal and secure the Appliance Adapter to stove. Using a level, make slight adjustments in the position of the appliance until the pipe is truly vertical. Tighten the bolts in the Support Clamp **(Figure 33)**. Note that

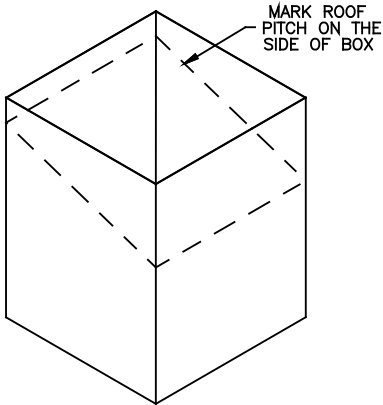


Figure 28

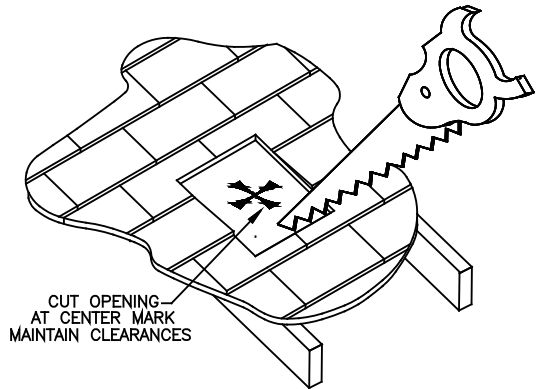


Figure 29

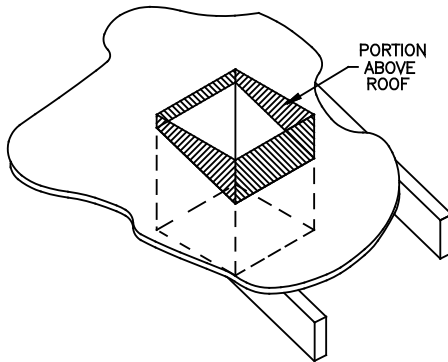


Figure 30

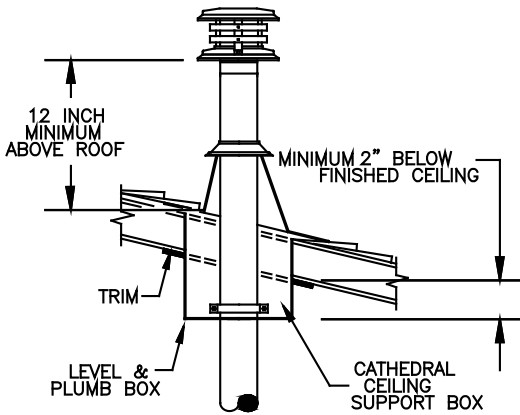


Figure 31

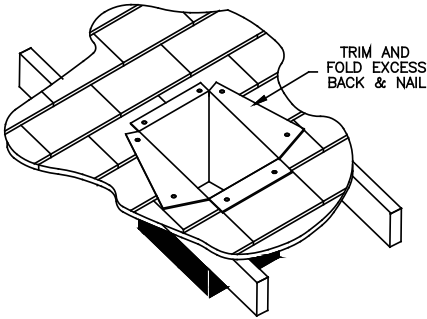


Figure 32

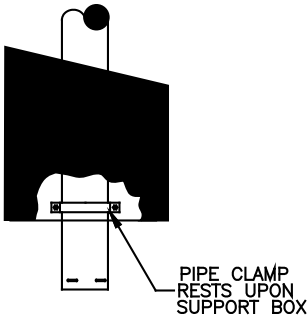


Figure 33

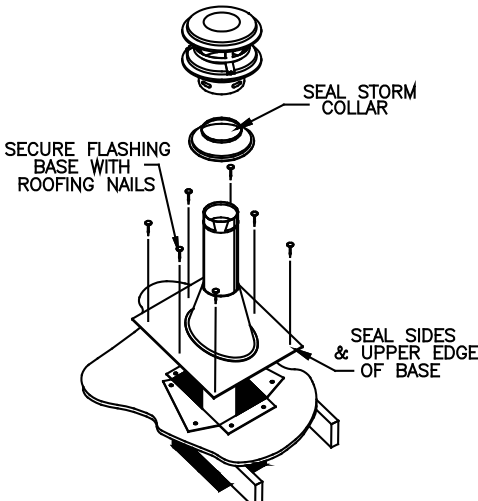


Figure 34

the overall length of the system can be no longer than 42 feet.

11. Slip Roof Flashing over the supported Pipe Section(s) protruding through the roof. Apply sealant to underside of Roof Flashing along upper edge and sides. Secure the base of Roof Flashing to the roof with roofing nails (**Figure 34**). Ensure that the roofing material overlaps the top edge of the Roof Flashing.

CLEANING AND MAINTENANCE

1. Have your system cleaned by a certified chimney sweep if you have doubts about your ability to clean it. Use a plastic or flexible steel brush. Do not use a stiff brush that will scratch the stainless steel liner of your system.
2. Vent systems must be installed so that access is provided for inspection and cleaning.
3. The system should be inspected at least once every month during the heating season.
4. Do not use chemical cleaners. They can damage the vent pipe.
5. To increase vent life, coat all exterior metal parts with high temperature, rustproof paint. This is recommended particularly in areas near the ocean.
6. In case of a chimney fire, close all appliance draft openings shut off appliance and call your Fire Department. Do not use the appliance or vent until it has been inspected for possible damage and silicone gaskets replaced.
7. Security Chimney is not responsible for flue by-products that might discolor roofs or walls.

SECURITY CHIMNEYS LIMITED LIFETIME WARRANTY

This Security Chimneys International, Ltd. (SCIL) Limited Lifetime Warranty warrants your residential vent and/or chimney system to be free from defects in material and workmanship at the time of manufacture. This Limited Lifetime Warranty includes all components and fittings, except termination caps and Secure Black SW single wall black stove pipe. After installation, if covered components manufactured by SCIL are found to be defective in materials or workmanship during the Limited Lifetime Warranty period and while the Product remains at the site of the original installation, SCIL will, at its option, replace the covered components. SCIL reserves the right to replace covered components with an equivalent product and the replacement must be carried out in accordance with SCIL's recommendations. If replacement is not commercially practical, SCIL will, at its option, refund the purchase price or wholesale price of the SCIL product, whichever is applicable. THERE ARE EXCLUSIONS AND LIMITATIONS to this Limited Lifetime Warranty as described herein.

COVERAGE COMMENCEMENT DATE

Warranty coverage begins on the date of installation. In the case of new home construction, warranty coverage begins on the date of first occupancy of the dwelling or six months after the sale of the Product by an independent SCIL dealer/distributor, whichever occurs earlier. The warranty shall commence no later than 24 months following the date of product shipment from SCIL, regardless of the installation or occupancy date.

EXCLUSIONS AND LIMITATIONS

This Limited Lifetime Warranty applies only if the Product is installed in the United States or Canada and only if used for the application for which it was designed and intended. The Product must be maintained in accordance with the printed instructions accompanying the Product and in compliance with all applicable installation and building codes and good trade practices.

This warranty is transferable. The Product must be purchased through a listed supplier of SCIL and proof of purchase must be provided. SCIL will be responsible for the replacement of the residential vent and/or chimney system considered to be defective for the following periods:

Termination Caps & Secure Black SW Stove Pipe – Replacement at no charge for 5 years from the date of installation, excluding labor

Components and fittings (excludes termination caps and Secure Black SW) –

Year 1-15 – Replacement of all components and fittings (a labor allowance may apply to a maximum of 300 \$ * certain conditions apply).

Year 16 + – Replacement at 50% off of the prevailing list price in effect at the time of replacement (No labor allowance applies).

*Labor Allowance Conditions: Any Warranty replacement work must be performed by a Professional Installer.

SCIL will not be responsible for: (a) damages caused by normal wear and tear, corrosion from salt air, accident, riot, fire, flood or acts of God; (b) damages caused by abuse, negligence, misuse, or unauthorized alteration or repair of the Product affecting its stability or performance. (The Product must be subject to normal use with approved fuels listed in the Operation Manual provided with the product. Where applicable, fuel products with abnormal burning characteristics, including but not limited to fuel such as driftwood, plywood and wood products using a binder may burn at excessive temperatures and may cause damage to the Product or may cause it to function improperly; (c) damages caused by failing to provide proper maintenance and service in accordance with the instructions provided with the Product; (d) damages, repairs or inefficiency resulting from faulty installation or application of the Product.

This Limited Lifetime Warranty covers only parts as provided herein. SCIL's entire liability is limited to the purchase price of this product. In no case shall SCIL be responsible for materials, components or construction which are not manufactured or supplied by SCIL or for the labor necessary to install, repair or remove such materials, components or construction. Additional utility bills incurred due to any malfunction or defect in equipment are not covered by this Limited Lifetime Warranty. All replacement or repair components will be shipped F.O.B. from the nearest stocking SCIL factory.

LIMITATION ON LIABILITY

It is expressly agreed and understood that SCIL's sole obligation and the purchaser's exclusive remedy under this warranty, under any other warranty, expressed or implied, or in contract, tort or otherwise, shall be limited to replacement, repair, or refund, as specified herein. In no event shall SCIL be liable for any incidental or consequential damages caused by defects in the Product, whether such damage occurs or is discovered before or after replacement or repair, and whether such damage is caused by SCIL's negligence. SCIL has not made and does not make any representation or warranty of fitness for a particular use or purpose, and there is no implied condition of fitness for a particular use or purpose. SCIL makes no expressed warranties except as stated in this Limited Lifetime Warranty. The duration of any implied warranty is limited to the duration of this expressed warranty.

No one is authorized to change this Limited Lifetime Warranty or to create for SCIL any other obligation or liability in connection with the Product. Some states and provinces do not allow the exclusion or limitation of incidental or consequential damages, so the above limitations or exclusions may not apply to you. The provisions of this Limited Lifetime Warranty are in addition to and not a modification of or subtraction from any statutory warranties and other rights and remedies provided by law.

INVESTIGATION OF CLAIMS AGAINST WARRANTY

SCIL reserves the right to investigate any and all claims against this Limited Lifetime Warranty and to decide, in its sole discretion, upon the method of settlement.

To receive the benefits and advantages described in this Limited Lifetime Warranty, the appliance must be installed and repaired by a licensed contractor approved by SCIL. Contact SCIL at the address provided herein to obtain a listing of approved dealers/distributors. SCIL shall in no event be responsible for any warranty work done by a contractor that is not approved without first obtaining SCIL's prior written consent.

HOW TO REGISTER A CLAIM AGAINST WARRANTY

In order for any claim under this warranty to be valid, you must contact the SCIL dealer/distributor from which you purchased the product. If you cannot locate the dealer/distributor, then you must notify SCIL in writing. SCIL must be notified of the claimed defect in writing within 90 days of the date of failure. Notices should be directed to the SCIL Warranty Department at 2125 Monterey Street, Laval, QC H7L 3T6.

Customer Service 800-667-3387 Canada 800-361-4909 US 707-450-2222 FAX www.securitychimneys.com

Secure Pellet is a registered trademark of Security Chimneys.
All rights reserved. Security Chimneys is a member of M&G Group. ©2013

L550-SEC 11/2013