

AIR-COOLED

TEMP/GUARD®

INC

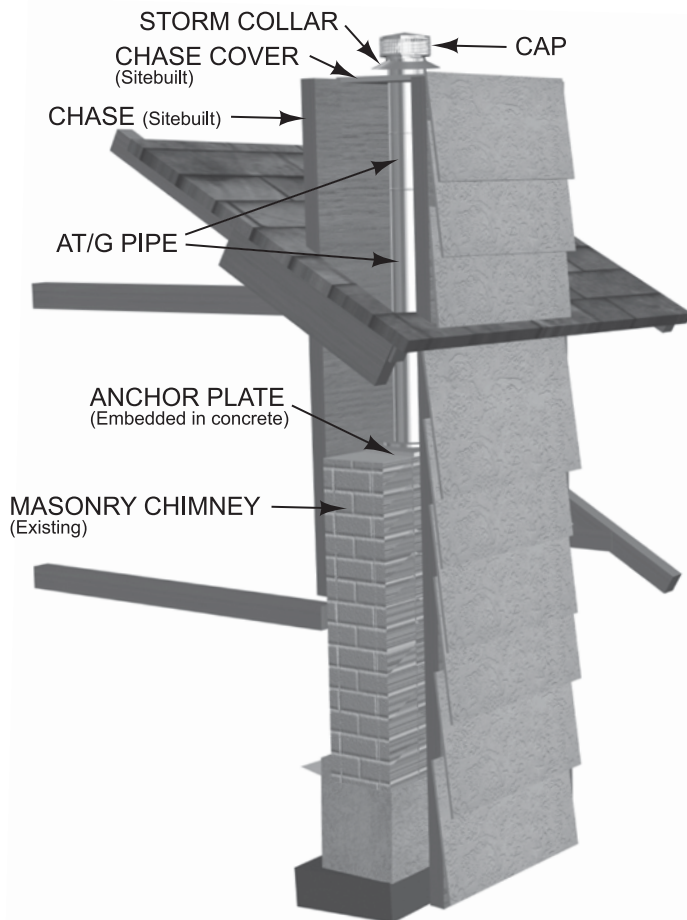


SOLID FUEL

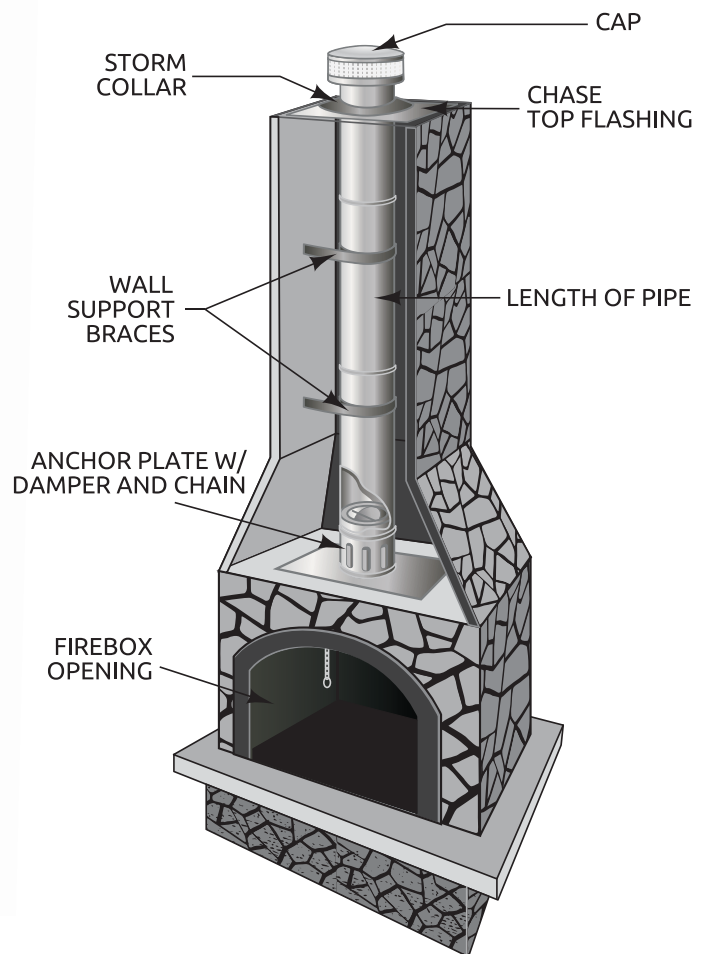
- Listed to UL103 (1000° continuous, 1700° intermittent temperatures).
- Available in 8", 10", 12", 14" and 16" diameters.
- 2" clearance to combustibles.
- Double Wall Factory-Built Chimney for use with masonry fireplaces which burn wood, oil, coal or gas.
- Cost-effective alternative for pre-fabricated masonry chimneys.

Note: Wall Band, Support Band and Radiation Shield are the same parts for TG & ATG

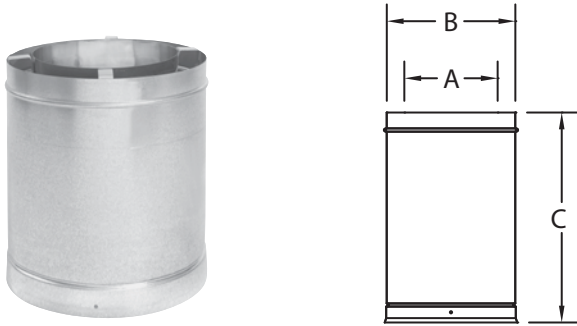
TEMP/GUARD AIR-COOLED CHIMNEY EXTENSION



TEMP/GUARD AIR-COOLED OUTDOOR FIREPLACE



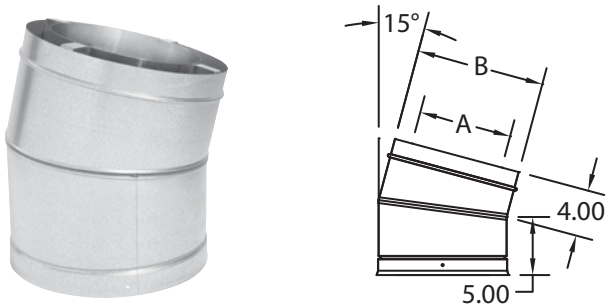
CHIMNEY PIPE – 8" - 16" ATG (Aluminized Outer Casing)



NOTE: 8" - 16" listed to 1700°F intermittent; 1000°F continuous

SIZE	8"	10"	12"	14"	16"
A	8.00	10.00	12.00	14.00	16.00
B	11.00	13.00	15.00	17.00	19.00
C	12, 18, 36, and 48 inch lengths				

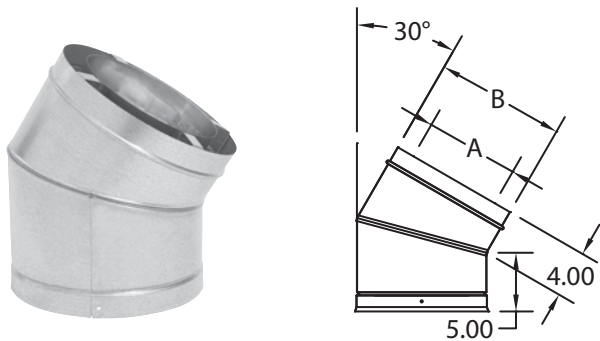
15° ANGLE – 8" - 16" ATGA15 (Aluminized outer casing)



SIZE	8"	10"	12"	14"	16"
A	8.00	10.00	12.00	14.00	16.00
B	11.00	13.00	15.00	17.00	19.00

*See installation instructions for offset chart.

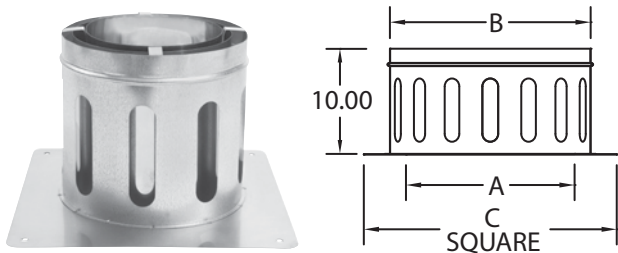
30° ANGLE – 8" - 16" ATGA30 (Aluminized outer casing)



SIZE	8"	10"	12"	14"	16"
A	8.00	10.00	12.00	14.00	16.00
B	11.00	13.00	15.00	17.00	19.00

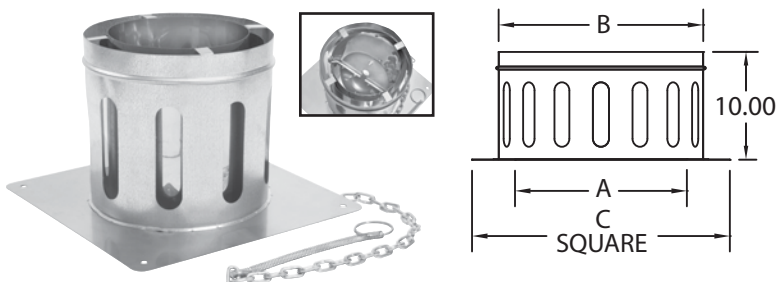
*See installation instructions for offset chart.

ANCHOR PLATE – 8" - 16" ATGAP



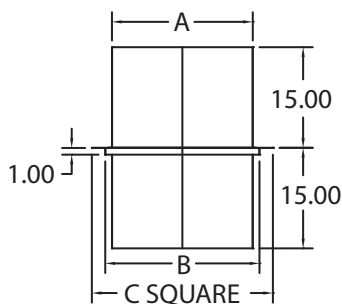
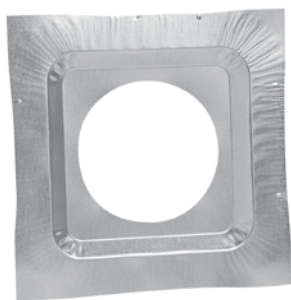
SIZE	8"	10"	12"	14"	16"
A	8.00	10.00	12.00	14.00	16.00
B	11.00	13.00	15.00	17.00	19.00
C	16.00	18.00	20.00	22.00	24.00

ANCHOR PLATE W/DAMPER – 8" - 16" ATGAPD



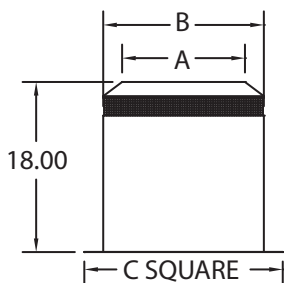
SIZE	8"	10"	12"	14"	16"
A	8.00	10.00	12.00	14.00	16.00
B	11.00	13.00	15.00	17.00	19.00
C	16.00	18.00	20.00	22.00	24.00

FIRESTOP ASSEMBLY – 8" - 16" ATGFSA



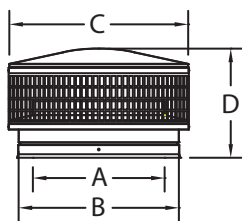
SIZE	8"	10"	12"	14"	16"
A	13.00	15.00	17.00	19.00	21.00
B	15.00	17.00	19.00	21.00	23.00
C	19.00	21.00	23.00	25.00	27.00

INSULATION SHIELD – 8" - 16" ATGIS



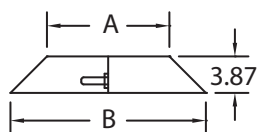
SIZE	8"	10"	12"	14"	16"
A	11.00	13.00	15.00	17.00	19.00
B	15.00	17.00	19.00	21.00	23.00
C	19.00	21.00	23.00	25.00	27.00

STAINLESS CAP/ SPARK ARRESTER – 8" - 16" ATGC



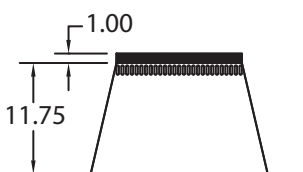
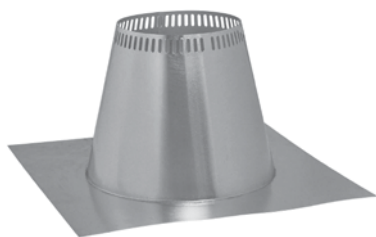
SIZE	8"	10"	12"	14"	16"
A	8.00	10.00	12.00	14.00	16.00
B	11.00	13.00	15.00	17.00	19.00
C	15.50	19.13	19.13	19.13	21.00
D	11.50	11.50	11.50	13.50	13.50

STORM COLLAR – 8" - 16" ATGSC



SIZE	8"	10"	12"	14"	16"
A	11.00	13.00	15.00	17.00	19.00
B	18.75	20.75	22.75	24.75	26.75

FLAT ROOF FLASHINGS – 8" - 16" ATGFT

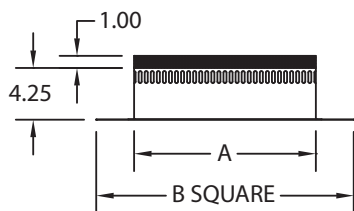
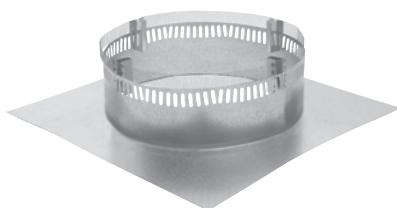


SIZE	8"	10"	12"	14"	16"
A	26.75	29.00	31.13	33.00	35.00

Fits roof pitch from 0/12 to 2/12

NOTE: In 6" - 8" aluminum option material is recommended for oil and coal applications.

CHASE FLASHINGS



SIZE	8"	10"	12"	14"	16"
A	15.00	17.00	19.00	21.00	23.00
B	21.25	23.25	25.25	27.25	29.25