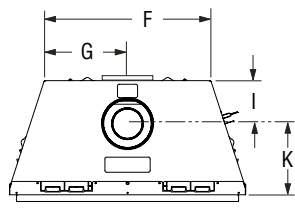
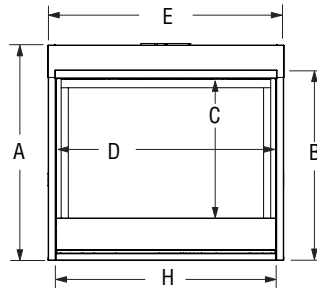


Appliance Dimensions

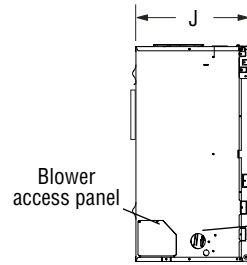
NOTE: When finishing the area around the hood, 5/8" clearance above hood is required for hood installation.



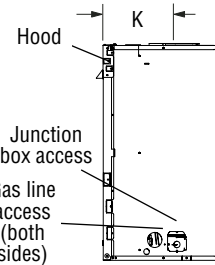
Top View



Front View



Left Side View



Right Side View

Model	A	B	C	D (door)	E	F	G	H	I	J	K
33" Model	30 1/8 (765)	26 1/4 (667)	18 5/16 (465)	30 1/2 (775)	33 5/8 (854)	21 7/8 (556)	10 15/16 (278)	31 (787)	5 3/4 (146)	14 (356)	8 1/2 (216)
35" Model	32 1/8 (816)	28 3/4 (730)	22 1/4 (565)	32 3/8 (822)	35 1/4 (895)	25 (635)	12 1/2 (317)	32 7/8 (835)	6 7/8 (175)	17 (432)	10 1/16 (256)
40" Model	37 1/8 (943)	33 1/4 (845)	27 1/4 (692)	37 3/8 (949)	40 1/4 (1022)	30 (762)	15 (381)	37 7/8 (962)	6 7/8 (175)	17 (432)	10 1/16 (256)
45" Model	37 1/8 (943)	33 1/4 (845)	27 1/4 (692)	42 3/8 (1076)	45 1/4 (1149)	35 (889)	17 1/2 (445)	42 7/8 (1089)	6 7/8 (175)	17 (432)	10 1/16 (256)

Clearance to Combustibles

Minimum clearances *

Back	1" (26mm) to wrapper for 45" models, all others 1/2" (13mm) to wrapper - 0" (0 mm) to Spacers
Sides	1/2" (13 mm) to wrapper 0" (0 mm) to Spacers
Top Standoffs	0" (0 mm) to top standoffs
Floor	0" (0 mm)
From Bottom of Unit to Ceiling	64" (1626 mm)
Vent	3" (76 mm)—Top * ** 1" (25.4 mm)—Sides and Bottom
Front Service Clearance—clearance immediately in front of viewing area(s)	36" (914 mm)

* 3" (76 mm) above any horizontal/inclined vent component.

** Top vent clearance can be reduced to 2" on horizontal runs when first elbow is located at least 6 ft above the fireplace.

Wall Finishes / Surrounds / Mantels

NOTE: Combustible wall finish materials and/or surround materials must not be allowed to encroach the area defined by the fireplace front face (black sheet metal). **Never allow combustible materials to be positioned in front of or overlapping the fireplace face.**

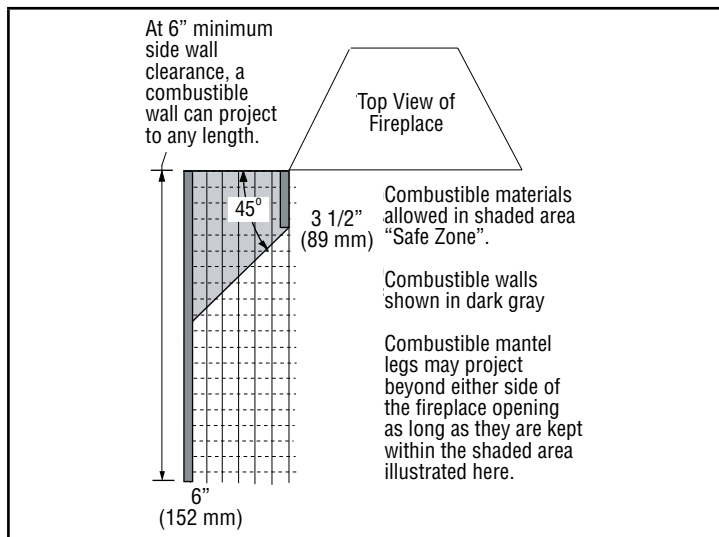
Non-combustible materials, such as surrounds and other fireplace trim, may be installed on the fireplace face, but they must not cover any portion of the removable glass panel or control compartment.

Vertical installation clearances to combustible mantels vary according to the depth of the mantel. Mantels constructed of non-combustible materials may be installed at any height above the fireplace opening. However, do not allow anything to hang below the fireplace hood.

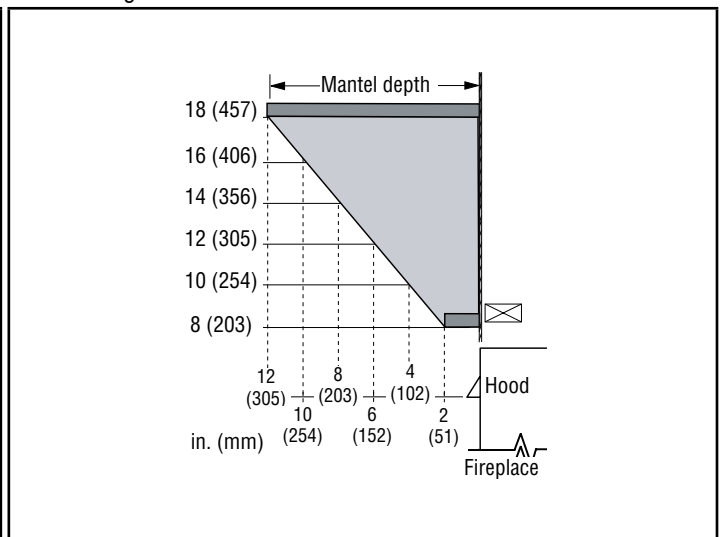
Minimum clearance requirements include any projections such as shelves, window sills, mantels, etc. above the fireplace.

NOTE: To avoid heat-related finish damage, use finish materials rated 175 °F, or higher, on the underside of the mantel.

Combustible side clearances

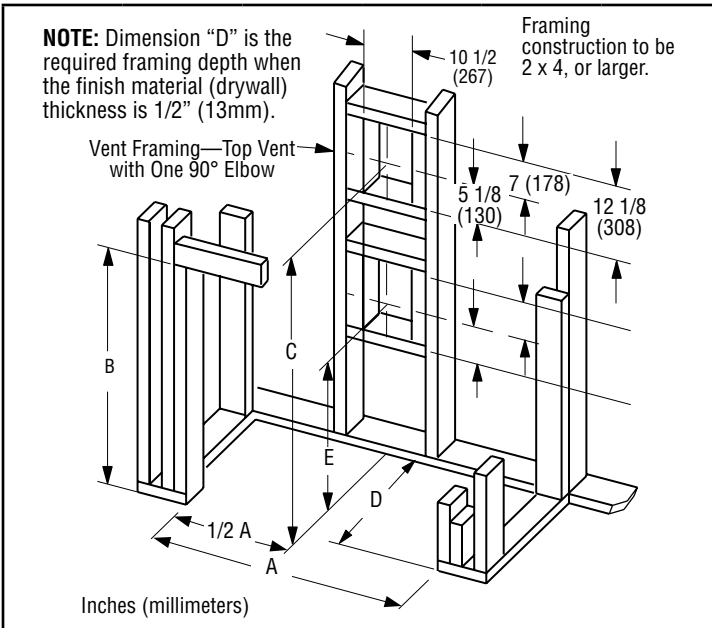


Mantel height



Framing Specifications

Fireplace framing specifications



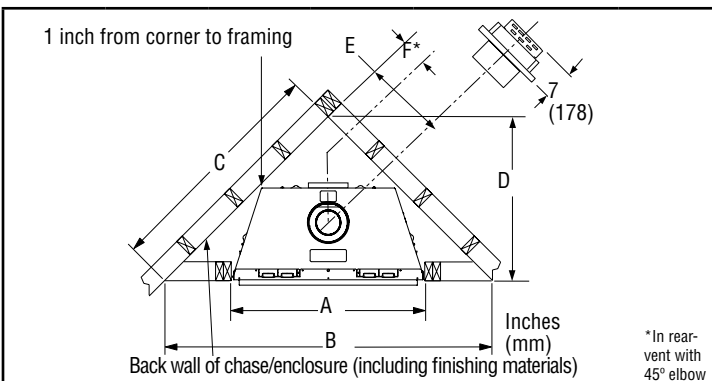
Model	A *	B	C	D	E
33" Model	33 3/4 - 857	34 1/4 - 870	36 7/8 - 930	14 1/2 - 368	19 5/8 - 499
35" Model	35 3/8 - 899	36 1/4 - 921	38 3/4 - 984	18 - 457	23 3/8 - 594
40" Model	40 3/8 - 1026	41 1/4 - 1048	43 3/4 - 1111	18 - 457	28 1/4 - 717
45" Model	45 3/8 - 1153	41 1/4 - 1048	43 3/4 - 1111	18 - 457	28 1/4 - 717

C = Minimum height of top vent installations

E = Minimum height of rear vent installations

* Minimum opening size; additional 1/8" per side is recommended.

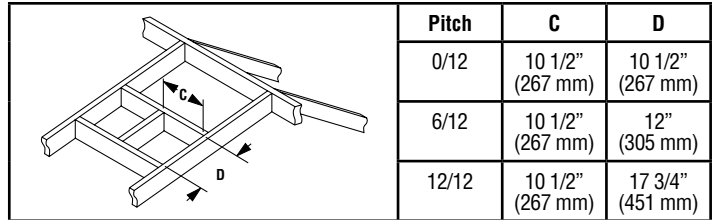
Fireplace framing specifications—
corner installation with horizontal termination



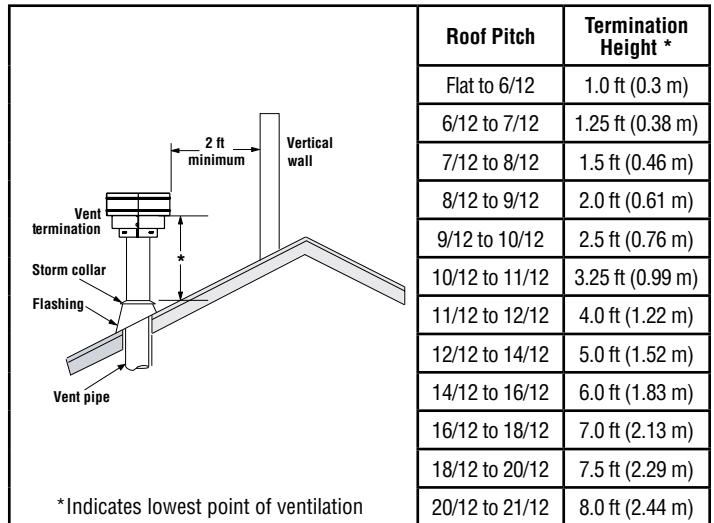
Model	A	B	C	D	E	F
33"	33 3/4 857	51 1/4 1302	36 1/4 921	25 5/8 651	12 1/8 308	5 1/2 140
35"	35 3/8 899	59 1/2 1511	42 1/16 1068	30 1/4 768	14 1/4 362	6 5/8 168
40"	40 3/8 1026	63 13/16 1621	45 11/32 1152	33 3/16 843	15 7/8 403	8 1/2 216
45"	45 3/8 1153	70 3/8 1788	49 3/4 264	35 1/4 895	17 1/2 445	10 1/4 260

This document is intended as a planning guide to highlight trade-related installation and finish information. It does not replace the included installation manual. Information is subject to change without notice. See the manual for more detailed information.

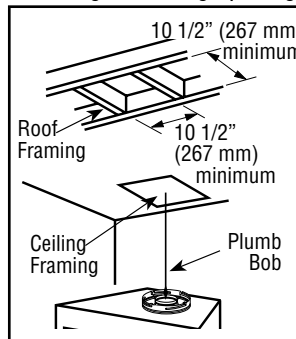
Roof framing dimensions



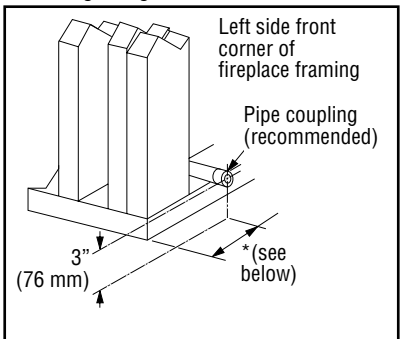
Termination heights for vents above flat or sloped roofs



Framing the ceiling opening

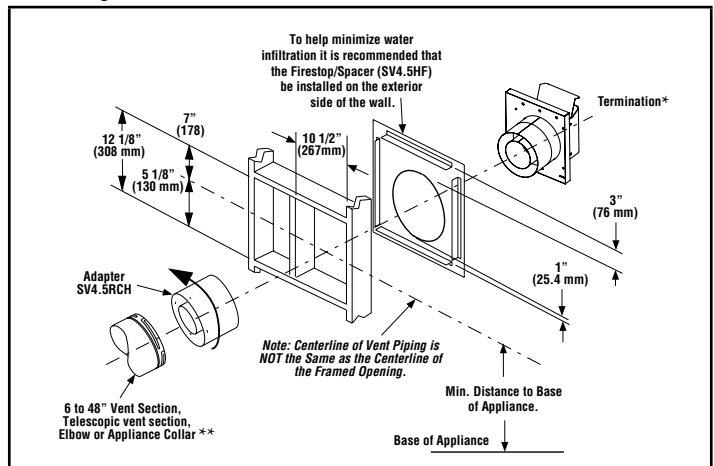


Routing the gas line



*For 33" units, 5 1/4" (133mm). For all other units, 7 5/8" (195mm).

Installing the horizontal termination



*Recommended IHP termination kits: F1797, H1968, and 94L10.
**With termination kit only, 6-9 1/4"