

BELLEVUE GAS INSERT BY



# REFRESH & REKINDLE



# RENOVATING COMFORT



Bellevue 32 fireplace gas insert shown with Highliner Decorative Trim.

## CUSTOMIZE THE LOOK

The Bellevue fireplace insert is an ideal solution for upgrading your hearth without the nuisance and cost of a complete fireplace overhaul. Fine-tune your design with one of three Decorative Trims that complement a range of aesthetics. Glowing embers add to the authenticity of the smoldering scene, and the optional hand-held remote control will allow for effortless operation.

### DECORATIVE TRIMS



Standard



Frontier



Highliner



Iron Rail

### CONTROL YOUR COMFORT



Whether you prefer a wireless wall-mounted control or an optional hand-held remote, operating an IronStrike gas stove couldn't be easier. A knowledgeable IronStrike dealer can help you choose the perfect control system for your needs.

# BELLEVUE SERIES

The natural peaks and valleys of the yellow flames are captivating as they frolic between lightly charred pieces of timber. The circulating blower pushes the heat into your room with vigor and persistence. The Bellevue provides heating efficiency and easy installation for a true value.



Bellevue 32 shown with Frontier Decorative Trim.

## BELLEVUE 27

- BTU INPUT NG:** 14,000 - 25,000
- BTU INPUT LP:** 16,200 - 22,500
- HEATING CAPACITY\*:** 450-1625 square feet
- AFUE EFFICIENCY:** 78% (NG) 75% (LP)
- ENERGUIDE (P4) EFFICIENCY:** 73% (NG) 73% (LP)
- STANDARD BLOWER:** 140-CFM Variable Speed
- REMOTE CONTROL:** Optional

## BELLEVUE 32

- BTU INPUT NG:** 16,000 - 28,000
- BTU INPUT LP:** 14,000 - 25,000
- HEATING CAPACITY\*:** 500 – 1,800 square feet
- AFUE EFFICIENCY:** 70% (NG) 67% (LP)
- ENERGUIDE (P4) EFFICIENCY:** 57% (NG) 61% (LP)
- STANDARD BLOWER:** 140-CFM Variable Speed
- REMOTE CONTROL:** Optional

# SPECIFICATIONS

## DIMENSIONS

		27" Model	32" Model
Width	Front	26-5/8"	31-5/8"
	Back/Rear	16-3/4"	21"
Height	Overall	17-7/8"	19-3/8"
	Overall	14-7/8"	15-7/8"
To Centerline (CL) of 3" Flue Collar*		8-3/4"	9-3/4"

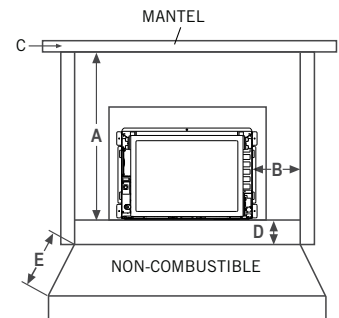
\* Uses 3" Colinear Flex Vent Pipe (sold separately).

## CLEARANCES

### MINIMUM CLEARANCES TO COMBUSTIBLES (27" & 32")

A	Mantel	32"
B	Side wall	4"
C	Mantel Depth	10"
D**	Vertical distance from base of appliance to hearth extension	0"   4"
E**	Minimum horizontal distance from front of appliance	10"   0"

\*\* If the base of the appliance is 0" above the room floor 10" min. hearth extension is required. If the base of the appliance is 4" above the room floor, 0" hearth extension is required.



## INSERT SURROUNDS

		27" Model	32" Model
Required Full Front Facade	Medium	26" H X 37" W	25" H X 41" W
	Large	30" H X 41" W	32" H X 43" W
*Optional 4-Sided Surround Backer - Able to be Trimmed		38" H X 46" W	

\* The 4-Sided Surround is compatible for use with the medium size Full Front Facades (41" x 25"-Bellevue 32 Model & 26" x 37" for the Bellevue 27) but not the large size Full Front Facade.

## MINIMUM FIREPLACE OPENING

	27" Model	32" Model
Front Width	27"	32"
Height	18"	19-1/2"
Rear Width	17"	22"
Depth	15"	16"



© 2017 Innovative Hearth Products

785698M 10/17

Visit us online  
[IronStrike.us.com](http://IronStrike.us.com)

