

"ACID HEARTH" WARNING

Cause of Acid Hearth

After new fireplace construction, the bricks are cleaned with "ACID" to remove excess mortar. Sometimes the acid is not thoroughly "Flushed out" with water by the workman. The acid remaining in the brick or stone will emit a gas that can decompose the protective coating on metal fixtures and cause oxidation and discoloration.

Customer Protection

You may experience fixtures that "rust"; however, this is neither your fault nor the fault of the product. This condition can continue for months unless corrective steps are taken. Although there is no guaranteed remedy, the following suggestions may help in neutralizing the condition:

1. Saturate the hearth with a mild solution of household ammonia. (Don't let it get on the adjacent hardwood floors or carpet.)
2. Rinse thoroughly with warm to hot water.
3. Follow with several cool rinses until the ammonia is removed.

Only after correction of "Acid Hearth" is it safe to replace fixtures. The responsibility for replacement should rest between the contractor and yourself.

LIMITED WARRANTY POLICY:

Cascade Coil Drapery, Inc. will replace any products or parts of products which are defective due to faulty materials or poor workmanship. The replacement of defective products by Cascade Coil Drapery, Inc. will be without charge. The warranty extends only to the original consumer purchaser for one year from the date of original purchase. This warranty does not apply to (1) products damaged by accident, neglect, misuse or abuse, or (2) costs of removal or reinstallation of defective products. Cascade Coil Drapery, Inc. shall not be liable for incidental or consequential damages including, but not limited to, loss of profits or revenue, loss of use of the product or any associated product, cost of capital, cost of substituted products, services, downtime costs, or claims of customers of the purchaser for such damages. Some States do not allow the exclusion or limitation of incidental or consequential damages, so the above limitation or exclusion may not apply to you.

Any implied warranty of merchantability or fitness is limited to the one year duration of this written warranty. Some States do not allow limitations on how long an implied warranty lasts, so the above limitation may not apply to you.

Defective products, or parts of products, should be returned at your expense to the dealer from whom the product was purchased or to:

Cascade Coil Drapery, Inc.
19505 S.W. 90th Ct.
Tualatin, Oregon. 97062

Any products returned for replacement must be accompanied by a return merchandise form, which will be provided upon request by any dealer of Cascade Coil Drapery, Inc. or by Cascade Coil Drapery, Inc.

This warranty gives you specific legal rights, and you may also have other rights which vary from state to state.



CASCADE COIL FIRESCREENS

19505 S.W. 90th Ct., PO Box 3707
Tualatin, OR. 97062-7505

ASSEMBLY AND INSTALLATION INSTRUCTIONS FOR RECESS STYLE FIREPLACE SCREENS

Wand or Baton Pull Patent No. Des. 348,314

If manual 4" wand or 7" baton pulls have been ordered, they will be attached to the curtain mesh. Disregard the portions of the instructions pertaining to handpulls.

Chainomatic Pull

If a Chainomatic (Pull Chain) option has been ordered, the entire screen will be pre-assembled. The instruction sections "A" and "B" should be disregarded.

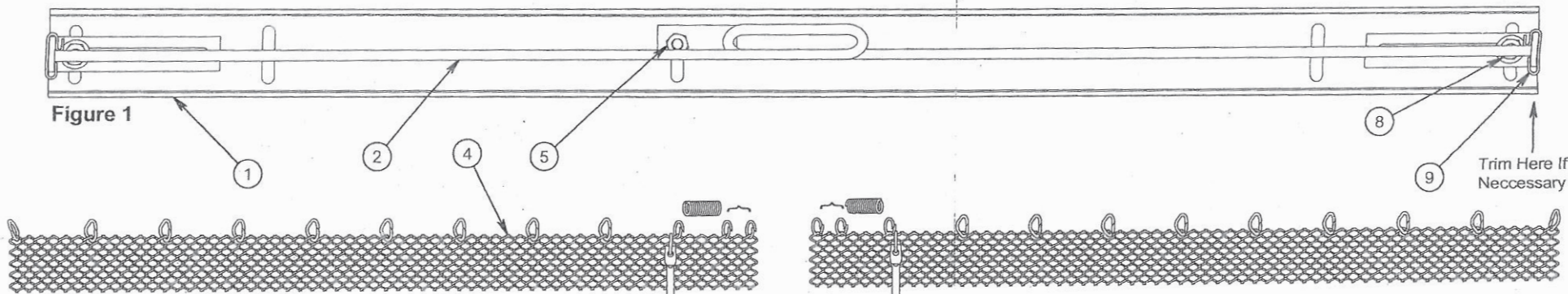
CARE AND MAINTENANCE

To clean, use oil polish or a damp cloth. Wipe dry with a clean dry cloth.

CAUTION: Do not use any abrasive metal polish on the Faceplate or damage to the lacquer coating may occur.

To insure smooth operation of the curtain, lubricate the backrod occasionally with paraffin wax or a light oil.

SEE "ACID HEARTH" WARNING ON BACK PAGE.

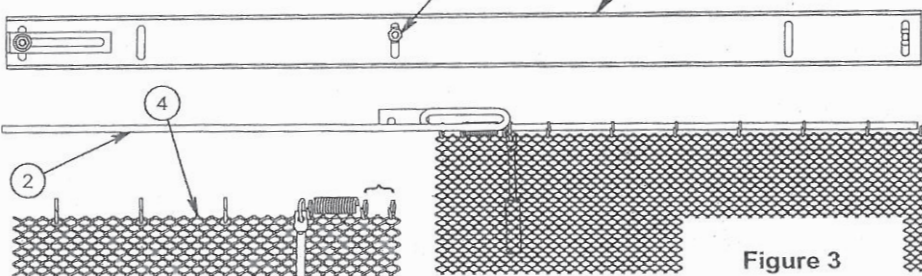
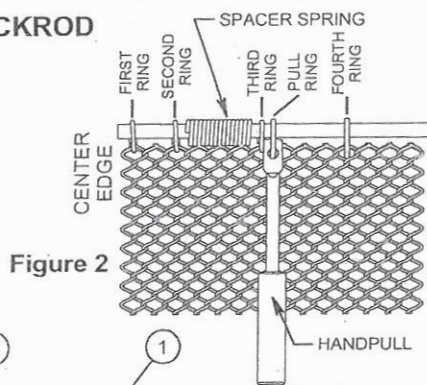


Check Faceplate and Backrod to be sure they will fit within the fireplace opening. If necessary, trim the Faceplate and Backrod to fit, or chip the mortar and stone to clear. (Fig. 1) Do not remove the protective coating from the Faceplate until the installation is complete.

A. TO ASSEMBLE CURTAIN ON BACKROD

1. Lay the fireplace screen parts out as shown in Fig. 1. Notice the location of the two closely spaced rings (3) on each half of the curtain mesh (4). They indicate which edge of the curtain must be placed at the center of the Hanger. Place the Spacer spring between the second and third ring. The Handpull (7) is factory installed between the third and fourth ring as shown in Fig. 2.

2. Remove the Backrod (2) from the Hanger Assembly (1) by loosening the hex nut (5) See Fig. 3.



3. Starting at the center edge of the curtain, slide the Backrod (2) through the first two rings (3), the Spacer spring (6), the third ring, the pull ring with Handpull (7), then the fourth and all remaining rings, except the last ring (10) which will be hooked to the Retaining clip (9) See Fig. 5.

NOTE: For pleated curtains see Instruction "B"

4. With both curtains attached, replace the Backrod (2) on the Hanger Assembly (1). Tighten the hex nut (5). Attach each end ring (10) to Retaining clip (9) See Fig. 5.

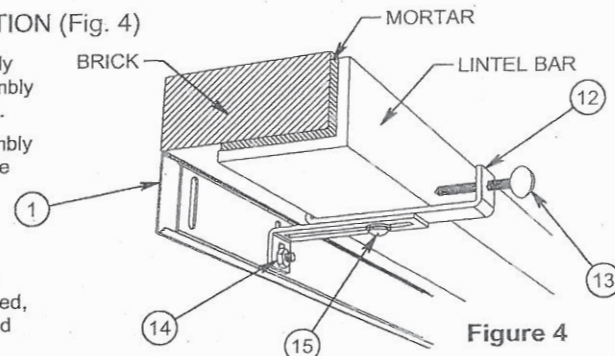
B. PLEATED CURTAINS

Beginning with the fourth ring from the center, turn each ring $\frac{1}{2}$ turn to the left, then slide it on the Backrod (2). Do not turn the last ring leave the last ring (10) loose so it can be hooked to the Retaining clip (9).

C. TO INSTALL ASSEMBLED SCREEN IN THE FIREPLACE

LINTEL CLAMP INSTALLATION (Fig. 4)

1. Attach the Lintel Clamp Assembly (12) loosely to the Hanger Assembly (1) by tightening the hex nut (14).
2. Fasten each Lintel Clamp Assembly (12) to the Lintel Bar on the inside of the fireplace opening with the Thumbscrew (13). Loosen the slotted screw (15) in the Lintel Clamp Assembly and adjust the Faceplate until it is flush with the face of the fireplace. When finished, be sure the slotted screw (15) and the Thumbscrews (13) are tight.

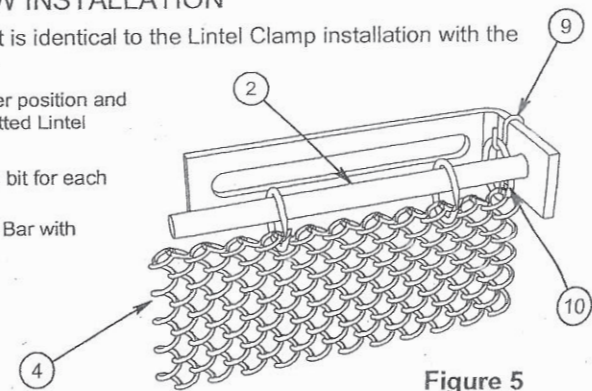


3. Adjust the height of the curtain mesh to approximately $\frac{1}{4}$ " from the hearth with the center hex nut (5) and end hex nuts (8), (see Fig. 1). Tighten the hex nuts when finished.
4. When the installation is complete remove the protective coating from the Faceplate.

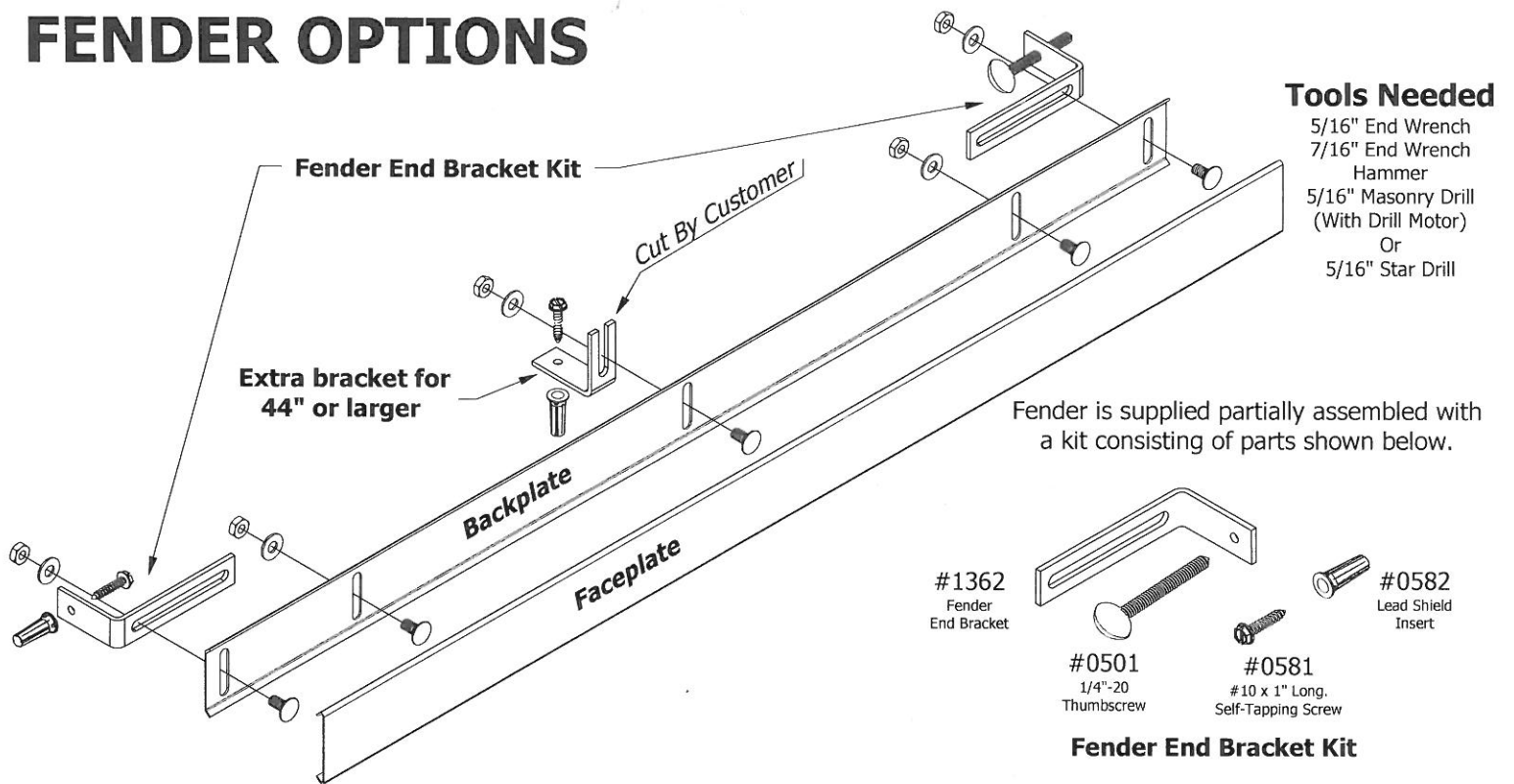
THREAD CUTTING SCREW INSTALLATION

This installation and adjustment is identical to the Lintel Clamp installation with the exception of the Lintel Bracket.

1. Hold the Hanger Assembly in proper position and mark the Lintel Bar through the slotted Lintel Bracket with a red pencil or chalk.
2. Drill a hole with a $\frac{7}{32}$ " or No. 1. drill bit for each Lintel Bracket.
3. Fasten Lintel Brackets to the Lintel Bar with Thread Cutting screws supplied.



FENDER OPTIONS



Tools Needed

- 5/16" End Wrench
- 7/16" End Wrench
- Hammer
- 5/16" Masonry Drill (With Drill Motor)
- Or
- 5/16" Star Drill

Fender is supplied partially assembled with a kit consisting of parts shown below.

#1362
Fender
End Bracket



#0582
Lead Shield
Insert

#0501
1/4"-20
Thumbscrew

#0581
#10 x 1" Long,
Self-Tapping Screw

Fender End Bracket Kit

SUPPLEMENTAL INSTRUCTIONS

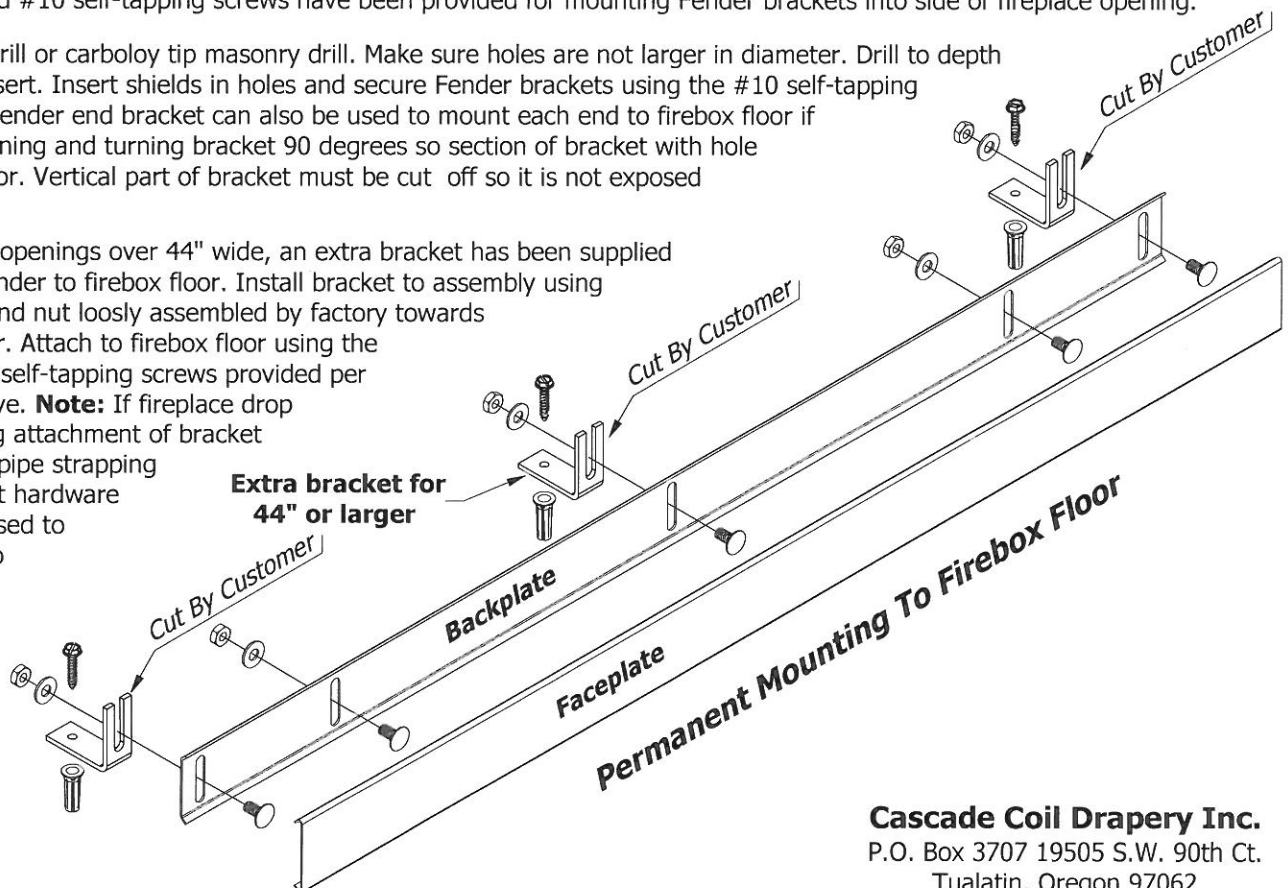
Installation of Fender

Fasten the Fender end brackets to the Fender assembly using screws, washers & nuts loosely assembled by the factory near each Fender end. Make sure the Backplate is centered so that the Faceplate overlaps equally at each end. Adjust brackets so that they are approximately 1/2" inside left and right edges of Fender and tighten. Start thumbscrews in bracket holes as shown so that they will point to sides of the fireplace. Position the Fender in the fireplace. Turn thumbscrews so that pressure is exerted equally on both fireplace inside walls. **Do not over tighten** as Fender may become bowed.

If thumbscrews furnished with Fender kit do not properly hold Fender in place or if permanent mounting is desired, the lead shield inserts and #10 self-tapping screws have been provided for mounting Fender brackets into side of fireplace opening.

Use 5/16" star drill or carboloy tip masonry drill. Make sure holes are not larger in diameter. Drill to depth of lead shield insert. Insert shields in holes and secure Fender brackets using the #10 self-tapping screws. **Note:** Fender end bracket can also be used to mount each end to firebox floor if desired by loosening and turning bracket 90 degrees so section of bracket with hole faces firebox floor. Vertical part of bracket must be cut off so it is not exposed above Fender.

For corners and openings over 44" wide, an extra bracket has been supplied for mounting Fender to firebox floor. Install bracket to assembly using screw, washer and nut loosely assembled by factory towards middle of Fender. Attach to firebox floor using the lead inserts and self-tapping screws provided per instructions above. **Note:** If fireplace drop exists preventing attachment of bracket to firebox floor, pipe strapping available at most hardware stores may be used to secure Fender to firebox floor at bottom of drop.



Cascade Coil Drapery Inc.

P.O. Box 3707 19505 S.W. 90th Ct.
Tualatin, Oregon 97062