

Serefina™ Series

Appliance Specifications

DIRECT-VENT CAST IRON FREESTANDING GAS STOVE

Product Reference Information				
Cat.#	Model	Description	Ship. Wt.	Ship. Volume
F2326	CI1500DVF	Painted Black	245 lb.	14.6 cu. ft.
F2327	CI1502DVF	Midnight Blue	245 lb.	14.6 cu. ft.
F2328	CI1504DVF	Majolica Brown	245 lb.	14.6 cu. ft.
F2329	CI1506DVF	Hunter Green	245 lb.	14.6 cu. ft.
F2330	CI1508DVF-2	Ivory White	245 lb.	14.6 cu. ft.
F2331	CI2500DVF	Painted Black	354 lb.	25.3 cu. ft.
F2332	CI2502DVF	Midnight Blue	354 lb.	25.3 cu. ft.
F2333	CI2504DVF	Majolica Brown	354 lb.	25.3 cu. ft.
F2334	CI2506DVF	Hunter Green	354 lb.	25.3 cu. ft.
F2335	CI2508DVF-2	Ivory White	354 lb.	25.3 cu. ft.

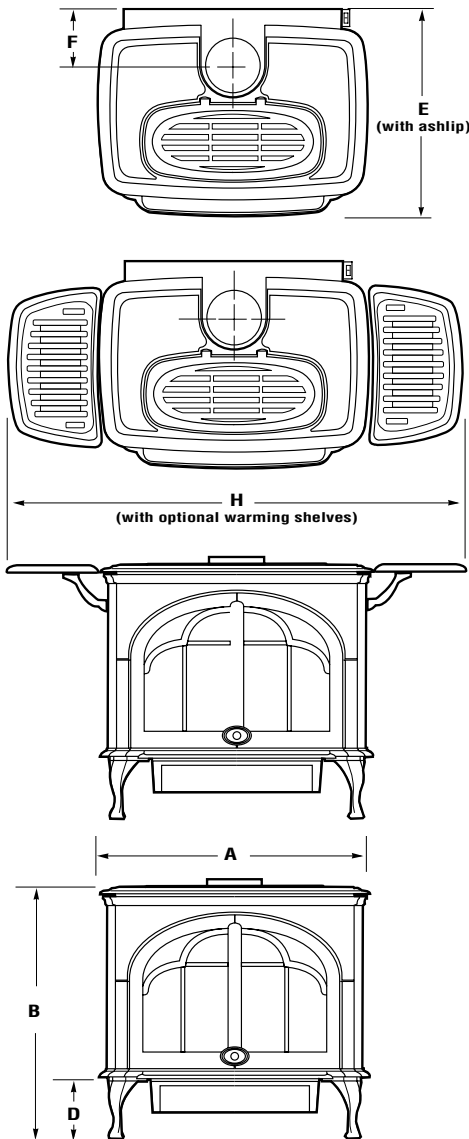
Dimensions		
	CI1500DVF	CI2500DVF
A	24-1/2" (622 mm)	30-1/2" (775 mm)
B	27-1/2" (699 mm)	28-1/2" (724 mm)
C	19" (483 mm)	22" (559 mm)
D	7" (178 mm)	7" (178 mm)
E	20-1/2" (521 mm)	23-1/2" (597 mm)
F	6" (152 mm)	6" (152 mm)
G	28" (711 mm)	29" (737 mm)
H	40" (1016 mm)	48-1/2" (1232 mm)

Specifications		
	CI1500DVF	CI2500DVF
Min./Max BTU/hr Input - NG	17,500 / 28,000	25,500 / 38,500
Min./Max BTU/hr Input - LP	20,500 / 27,000	26,500 / 34,500
DV Vent Size	4" inner / 6-5/8" outer	4" inner / 6-5/8" outer
Room Fan CFM	150	150
Weight (lb)	206	290

Efficiencies		
	CI1500DVF	CI2500DVF
EnerGuide P4	67% (NG) 65% (LP)	67% (NG) 64% (LP)
Steady State Efficiency *	85% (NG) 87% (LP)	83% (NG) 85% (LP)

*Based on maximum vent configuration.

Stove Dimensions



Specifications

Listing Information



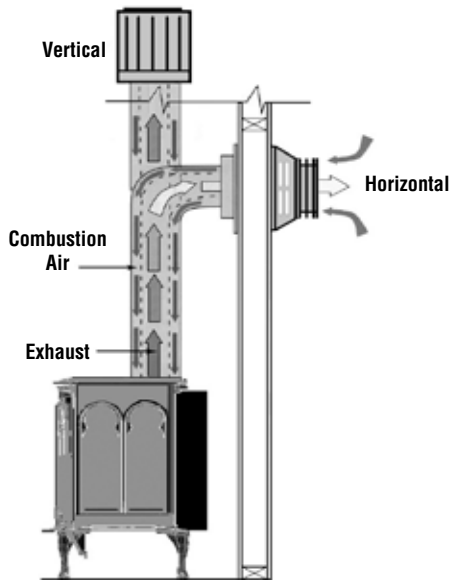
Report #14-162

These appliances comply with National Safety Standards and are tested and listed to ANSI Z21.88 (in Canada, CSA-2.33), and CAN/CGA-2.17-M91 in both USA and Canada, as vented gas heaters.

NOTE: Diagrams, illustrations and photographs are not to scale - consult installation instructions. Product designs, materials, dimensions, specifications, colors and prices are subject to change or discontinuance without notice.

Serefina™ Series

Venting



Clearances (Min.)		
	CI1500DVF	CI2500DVF
A	10" (254 mm)*	10" (254 mm)*
B	14-1/4" (362 mm)*	17-1/4" (438 mm)*
C	15-7/8" (403 mm)*	19" (483 mm)*
D	4" (102 mm)	4" (102 mm)
E	2" (51 mm)	2" (51 mm)
F	4" (102 mm)	4" (102 mm)
G	0" (0 mm)	0" (0 mm)
H	62" (1575 mm)***	62" (1575 mm)***
I	28-1/2" (724 mm)**	34-1/2" (876 mm)**
Clearances (Max.)		
J	48" (1219 mm)	48" (1219 mm)

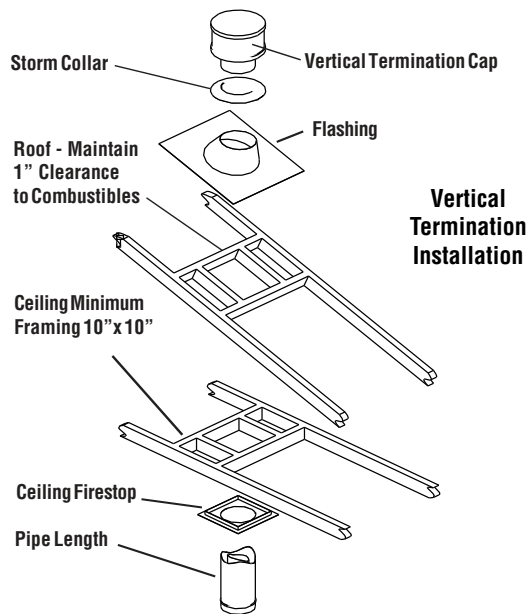
* Dimensions with a single asterisk are reference dimensions only.

** If the optional warming shelves are installed, a greater alcove width is required as follows:

CI1500DVF - 44" (1118 mm) min.
CI2500DVF - 52-1/2" (1334 mm) min.

*** This includes any projections such as shelves, windowsills, mantels, etc. above the appliance.

Floor Protection



Floor Protection

When installed directly on carpeting, tile (see Note below) or other combustible material other than wood flooring, the appliance shall be installed on a metal or wood panel extending the full width and depth of the stove body.

NOTE: Ceramic tile is non-combustible and does not require a wood or metal panel under the appliance.

Clearances

