

MONTIGO[®]

OUTDOOR

OUTDOOR / PROUDLY HANDCRAFTED IN NORTH AMERICA

H34VO

H38VO

HL38VO

H42VO

H38SVO

HL38SVO

PL42VO

PL60VO




OUTDOOR / VENTLESS



OUTDOOR / HL38VONE / EBONY FIRESTONES

OUTDOOR



MONTIGO / MAHANA / PL42VONE / STAINLESS STEEL ENCLOSURE



REDEFINE YOUR OUTDOOR SPACE

THE WARMTH AND COMFORT OF YOUR LIVING ROOM NOW ON YOUR PATIO

Ventless design creates endless possibilities for placement in your outdoor space. All Montigo outdoor fireplaces are fabricated with high quality 304 stainless steel construction for extended outdoor life.

From traditional brick liners, all the way to multi-color LED lighting for the Mahana, all fireplaces in the Montigo Outdoor series have numerous options for customization.

DOOR



OUTDOOR HL38VONE SAGE FIREBEADS



OUTDOOR / PROUDLY HANDCRAFTED IN NORTH AMERICA

DIVINE
OUTDOOR  SERIES

Redefine your outdoor space

**H34 H38 H42
TRADITIONAL**

**HL38
CONTEMPORARY**

Standard

Traditional burner and logset

Safety screen

Options

Various traditional liners

Mirror back panel

Drain pan

Wrought iron grate

Standard

Contemporary burner with Sage firebeads

Safety screen

Options

Glass media

Drain pan

**H34VO, H38VO,
HL38VO, H42VO**

Single sided
Ventless

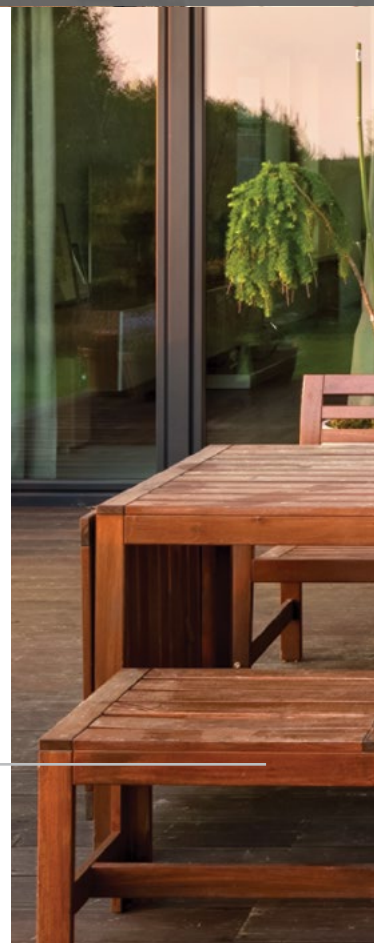
QUICK DIMENSIONS

	H34VO		H38VO		H42VO	
	UNIT	FRAM.	UNIT	FRAM.	UNIT	FRAM.
F.WIDTH	34	34 ⁷ / ₈	39 ⁵ / ₁₆	37 ⁷ / ₈	43 ⁹ / ₁₆	42
B.WIDTH	24	34 ⁷ / ₈	25	37 ⁷ / ₈	28	42
HEIGHT	33 ³ / ₁₆	43 ³ / ₈	37 ⁹ / ₁₆	43 ³ / ₈	33 ¹ / ₄	46 ³ / ₄
DEPTH	18 ³ / ₈	20 ³ / ₄	18 ³ / ₄	21	23 ⁷ / ₈	22 ⁵ / ₈
VIEWING	22 ³ / ₄ × 31 ³ / ₈		25 × 35 ¹ / ₄		39 ¹ / ₂ × 28 ³ / ₄	

BTU LISTING

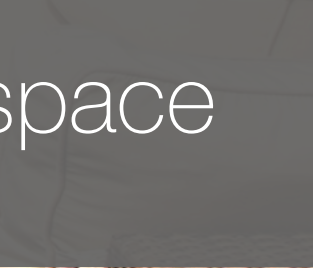
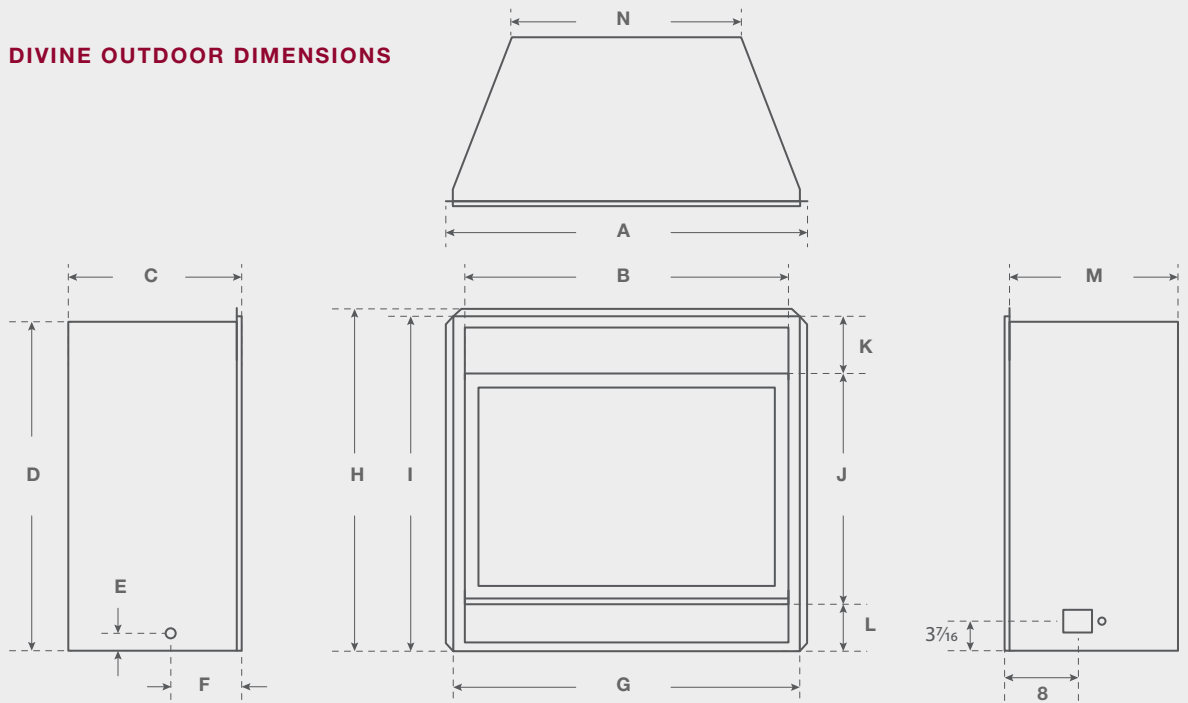
H34VO* / 26,000
HL38VO* / 34,000
H38VO* / 34,000
H42VO* / 40,000

H34VO*E / 26,000
HL38VO*E / 34,000
H38VO*E / 34,000
H42VO*E / 40,000





DIVINE OUTDOOR DIMENSIONS



space

	A	B	C	D	E	F	G	H	I	J	K	L	M	N
H34VO	34	31 ¹ / ₁₆	17 ¹³ / ₁₆	33	2 ¹ / ₁₆	5 ⁵ / ₁₆	31 ¹ / ₁₆	34 ¹¹ / ₁₆	33 ¹¹ / ₁₆	22 ³ / ₄	5 ⁹ / ₁₆	5 ¹ / ₄	17 ¹³ / ₁₆	22
H38VO	39 ⁵ / ₁₆	35 ³ / ₁₆	18 ¹³ / ₁₆	36	2 ¹ / ₁₆	7 ¹ / ₂	37 ³ / ₄	37 ¹¹ / ₁₆	36 ⁹ / ₁₆	25	6 ¹ / ₄	5 ¹ / ₄	18 ³ / ₈	25 ¹ / ₈
H42VO	43 ⁹ / ₁₆	39 ⁷ / ₁₆	18 ¹³ / ₁₆	40	2 ¹ / ₁₆	9 ¹ / ₁₆	39 ⁷ / ₁₆	41 ¹¹ / ₁₆	40 ⁹ / ₁₆	28 ¹³ / ₁₆	6 ³ / ₈	5 ¹ / ₄	19 ¹⁵ / ₁₆	28 ¹ / ₄

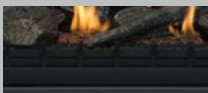


MONTIGO / DIVINE / HL38VON / SAGE FIREBEADS / SHOWN WITHOUT SCREEN



MONTIGO / DIVINE / H34VON / SHOWN WITHOUT SCREEN

OPTIONS & FEATURES



IRON GRATE
HWIG**



DRAIN PAN
ODSSP**

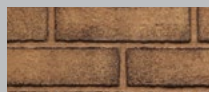
LINERS



HERRING BONE
HBK**



COLONIAL
HBK**



HERITAGE
HBK**



MIRROR
RPH**VOR

OUTDOOR / PROUDLY HANDCRAFTED IN NORTH AMERICA



DIVINE
OUTDOOR  SERIES

Create your outdoor

**H38SVO,
HL38SVO**

See through
Ventless
Outdoor

QUICK DIMENSIONS

	H38SVO	
	UNIT	FRAM.
F.WIDTH	43 ³ / ₁₆	42
B.WIDTH	28 ¹ / ₈	42
HEIGHT	41 ¹ / ₁₆	46 ¹ / ₂
DEPTH	20 ³ / ₈	21 ¹ / ₈
VIEWING	39 ¹ / ₂ x 28 ³ / ₄	

BTU LISTING
H38SVO* / 45,000
HL38SVO* / 45,000

**H38SVO
TRADITIONAL**

Standard

Traditional burner and logset

Manual Hi-Lo flame control

Wrought iron grate

Safety screen

Options

Freestanding cool-touch enclosure (HSI units only)

**HL38SVO
CONTEMPORARY**

Standard

Contemporary burner with Sage firebeads

Manual Hi-Lo flame control

Safety screen

Options

Glass media

Freestanding cool-touch enclosure (HSI units only)





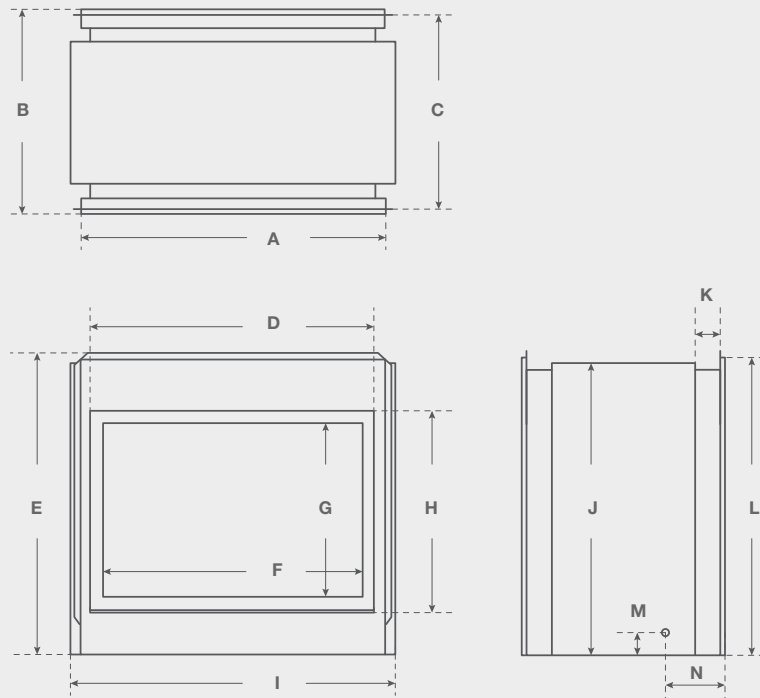
Features

Ventless design

Stainless steel construction

door oasis

DIVINE OUTDOOR SEE THROUGH DIMENSIONS



	A	B	C	D	E	F	G	H	I	J	K	L	M	N
H38SVO	37 ³ / ₄	25 ³ / ₁₆	24	25	36 ⁹ / ₁₆	32 ¹ / ₈	21 ¹ / ₁₆	25	40 ¹ / ₈	36 ³ / ₁₆	3 ³ / ₈	36 ¹ / ₂	3	5 ¹ / ₄



MONTIGO / DIVINE / H38SVON / TRADITIONAL LOGSET / SHOWN WITHOUT SCREEN



OPTIONS & FEATURES



COOLTOUCH ENCLOSURE¹
RTSCH38VO

Features

Ventless design

304 Stainless steel

Fans provide zone heating up to 10'



MAHANA
OUTDOOR  SERIES

A warm breeze

OUTDOOR / PROUDLY HANDCRAFTED IN NORTH AMERICA

MAHANA CONTEMPORARY

Standard

- Concealed burner with Quartz firebeads
- Built in fan system
- Safety screen

Options

- LED backlighting
- Stainless steel and powdercoated enclosures
- Enclosure pedestal
- Remote control
- Enclosure cover
- Speckled stones, driftwood, glass media



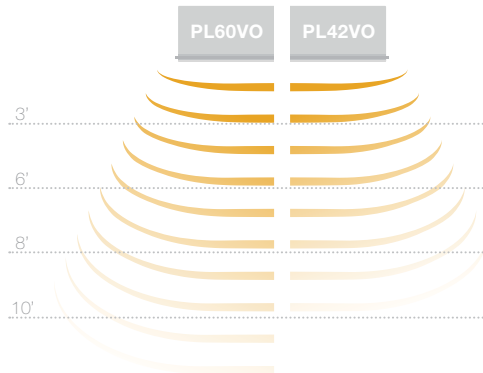
PL42VO, PL60VO

Ventless Outdoor

QUICK DIMENSIONS

	PL42VO		PL60VO	
	UNIT	FRAM.	UNIT	FRAM.
F.WIDTH	29½	42	33½	66
B.WIDTH	19¾	42	23¾	66
HEIGHT	20	32½	23¾	29¼
DEPTH	13½	14¾	14½	14¾
VIEWING	24¼ x 14½		28¾ x 18½	

Radiant & Forced Air
Heat Distribution

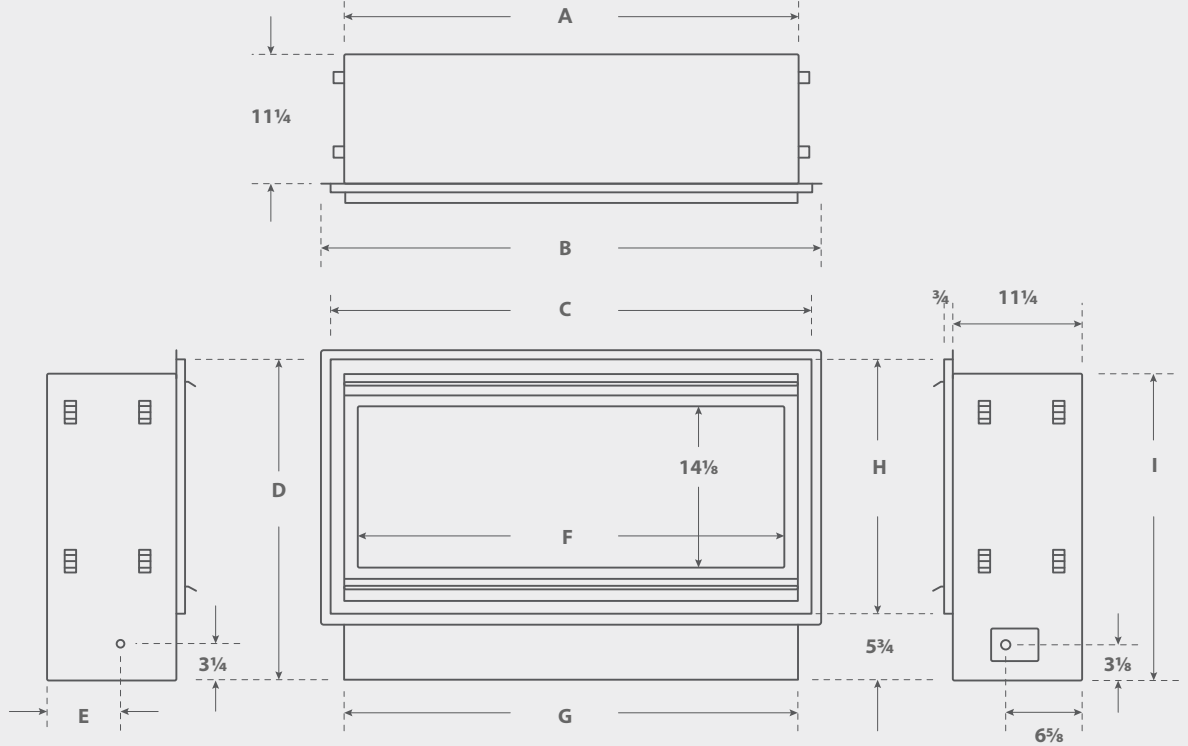


BTU LISTING

PL42VO* / 28,000
PL60VO* / 47,000



MAHANA DIMENSIONS



	A	B	C	D	E	F	G	H	I	J	K
PL42VO	39 ³ / ₈	43 ³ / ₈	42	28	6 ³ / ₈	37 ¹ / ₄	39 ³ / ₈	22 ¹ / ₄	26 ⁷ / ₈	51 ⁵ / ₈	34 ³ / ₈
PL60VO	63 ³ / ₈	67 ³ / ₈	66	28 ⁵ / ₈	4 ⁷ / ₈	61 ¹ / ₄	63 ³ / ₈	22 ³ / ₈	27 ¹ / ₄	76 ⁵ / ₈	35 ³ / ₈

For enclosure dimensions please reference framing dimensions page



- Mahana Enclosure Colors
- CERULEAN
 - SOL
 - DUNE
 - GRAPHITE
 - CARBON
 - SANGRIA
 - CITRUS

MONTIGO / MAHANA / PL60VO / QUARTZ FIREBEADS /



Features

Listed for wood frame construction and facing

Mount a TV directly above the fireplace



REMOTE ON/OFF RXM5010VO



ENCLOSURES PLVOBE**



ENCLOSURE PEDESTAL PL**VOBE-P



ENCLOSURE COVER PL**CVR



LED BACKLIGHTING PLVOBE**

OPTIONS & FEATURES



SPECKLED STONES
RR***SS

COPPER
HW1143

AMBER
HW1261

ICE
HW1157

GLACIER
HW1219B

PLATINUM
HW1144

ALABASTER
HW1260

OBSIDIAN
HW1113

ONYX
HW1259

MEDIA

SAGE
HW1082

QUARTZ
HW1106

FROST
HW1112

EBONY
HW1091

DRIFTWOOD
LGS***

Unit Specifications

Icon Legend

AVAILABLE +

NOT AVAILABLE -

DEDICATED ◊

STANDARD ○

	BTU Natural Gas	BTU Liquid Propane	Clearance Top	Clearance Sides	Clearance Back	Clearance Floor	Standard media	Front glass type	Powervent	Remote control	Fans	Uplighting	Downlighting
H34VO**	26,000	26,000	9	1	1	0	Traditional	Tempered	-	-	-	-	-
H38VO**	34,000	34,000	9	1	1	0	Traditional	Tempered	-	-	-	-	-
H38SVO**	34,000	34,000	36	12	N/A	0	Traditional	Tempered	-	-	-	-	-
HL38SVO**	34,000	34,000	36	12	N/A	0	HW1082	Tempered	-	-	-	-	-
H42VO**	40,000	40,000	9	1	1	0	Traditional	Tempered	-	-	-	-	-
PL42VO*	28,000	28,000	0	1	0	0	HW1106	Tempered	-	+	◊	-	-
PL60VO*	47,000	47,000	0	1	0	0	HW1106	Tempered	-	+	◊	-	-

DIVINE OUTDOOR FRAMING

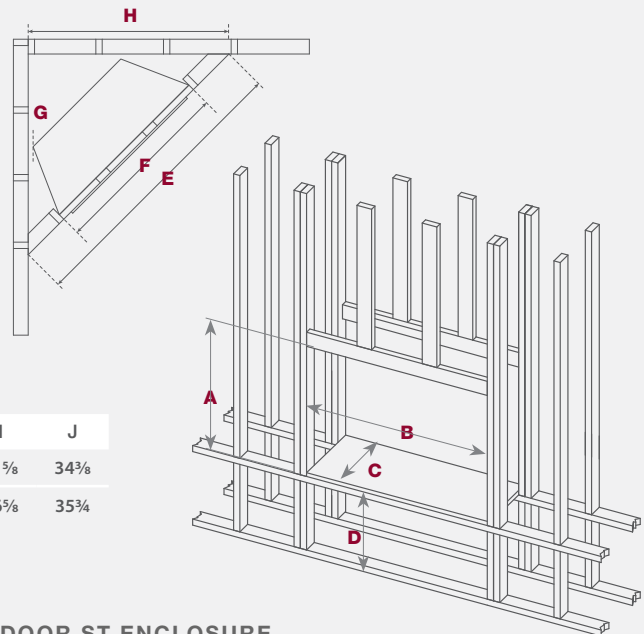
	A	B	C	D	E	F	G	H
H34VO	40 ³ / ₈	33 ³ / ₈	20 ³ / ₄ [†]	12*	61 ⁵ / ₈	73 ⁵ / ₈	1	43 ⁵ / ₈
H38VO	40 ³ / ₈	37 ⁷ / ₈	21 [†]	12*	65 ⁵ / ₈	79	1	49 ¹ / ₁₆
H42VO	46 ³ / ₄	42	22 ⁵ / ₈ [†]	12*	72 ¹ / ₄	85	1	51 ¹ / ₁₆

DIVINE OUTDOOR ST FRAMING

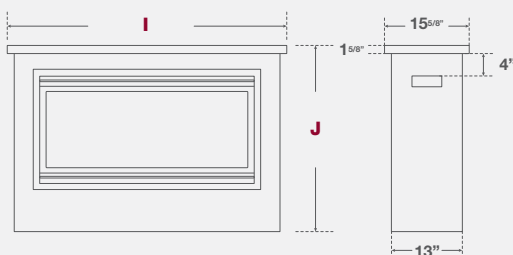
	A	B	C	D
H38SVO	38	41	23 ³ / ₈	12*

MAHANA FRAMING AND ENCLOSURE

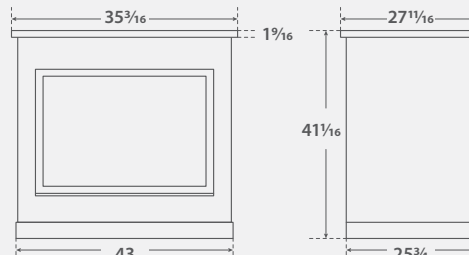
	A	B	C	D	E	F	G	H	I	J
PL42VO	27 ¹ / ₂	42	14 ³ / ₄	12*	62 ⁷ / ₁₆	42 ⁷ / ₈	0	48 ⁷ / ₈	51 ⁵ / ₈	34 ³ / ₈
PL60VO	27 ¹ / ₂	66	14 ³ / ₄	12*	87	67	0	65 ¹ / ₂	76 ⁵ / ₈	35 ³ / ₄



MAHANA ENCLOSURE



DIVINE OUTDOOR ST ENCLOSURE



See instruction manual for detailed instructions

Be sure to plan a drain system for both in the wall and standalone installations.

*Measurement above grade for US installations

[†]Dimension is to back wall or back studs

1976: The Days Before Gas Fireplaces

In 1976, Montigo president and founder, Dan Binzer, started installing zero-clearance wood burning fireplaces for local builders in Vancouver, BC. Over the years, demand grew for a gas alternative, and Dan engineered and manufactured the first ever sandpan logset. The logset was installed in a zero-clearance wood burning fireplace shell, resulting in one of the first zero-clearance gas fireplaces on the market.

1985: Gas Fireplace Manufacturing Begins

Demand for gas grew rapidly, especially among multi-unit developments so Dan Binzer started a company called Canadian Heating that would offer full service design, engineering and manufacturing for gas fireplaces. Under the Montigo brand, Canadian Heating began manufacturing and selling a wide selection of zero-clearance gas fireplaces throughout Canada and in 1985 development began for the latest and greatest in gas fireplace technology – direct venting.

1994: Manufacturing Excellence is Achieved

Development and advancement of the gas fireplace continued over the years with continual developments to improve the efficiency of the fireplaces and perfected manufacturing processes to deliver an optimum fireplace each and every time – even for completely custom units.

Present: Leading the Way with Modern Fireplace Design

As one of the first to bring a linear designed fireplace to market, Montigo now offers the largest selection of linear fireplaces demanded by designers, architects and homeowners wanting to create a modern and contemporary space and homeowners wanting to create a modern and contemporary space.

WARNING

Some materials used in the manufacturing process of this product can expose you to Benzene which is known in the State of California to cause cancer and birth defects or other reproductive harm. For more information go to www.P65warnings.ca.gov

for more inspiration go to
www.montigo.com

MONTIGO[®]
the art of **fireplaces**



Our Guarantee

Montigo[®] stands behind the craftsmanship and durability of our products by providing a 15 year warranty on the burner and firebox in all our residential fireplaces. All made using steel milled in the United States.

ARCAT
Printed in Canada

XB2210