

MONTIGO®

DELRAY SQUARE

DELRAY / THE ART OF FIREPLACES

DRSQ38NI

DRSQ38NI-2



DELRAY / SINGLE SIDED

Combustible facing

Our unique firebox design gives the capability for installing a combustible wood facing right down to the glass opening

The DelRay Square Universal Burner

A revolutionary burner system,
creating endless opportunities

Versatility

We have developed a burner system that is not only convertible from natural gas to propane, but can switch from traditional to contemporary burner media without changing the burner system.

Media kits such as logsets and contemporary scenes must be ordered along with the unit.

DEL

TRADITIONAL LOGSETS

Hand painted to perfection

Each logset is designed to work with the universal burner system that ensures a realistic flame pattern that fills the firebox.

All logsets come standard with a black coal firebed and glowing ember media.



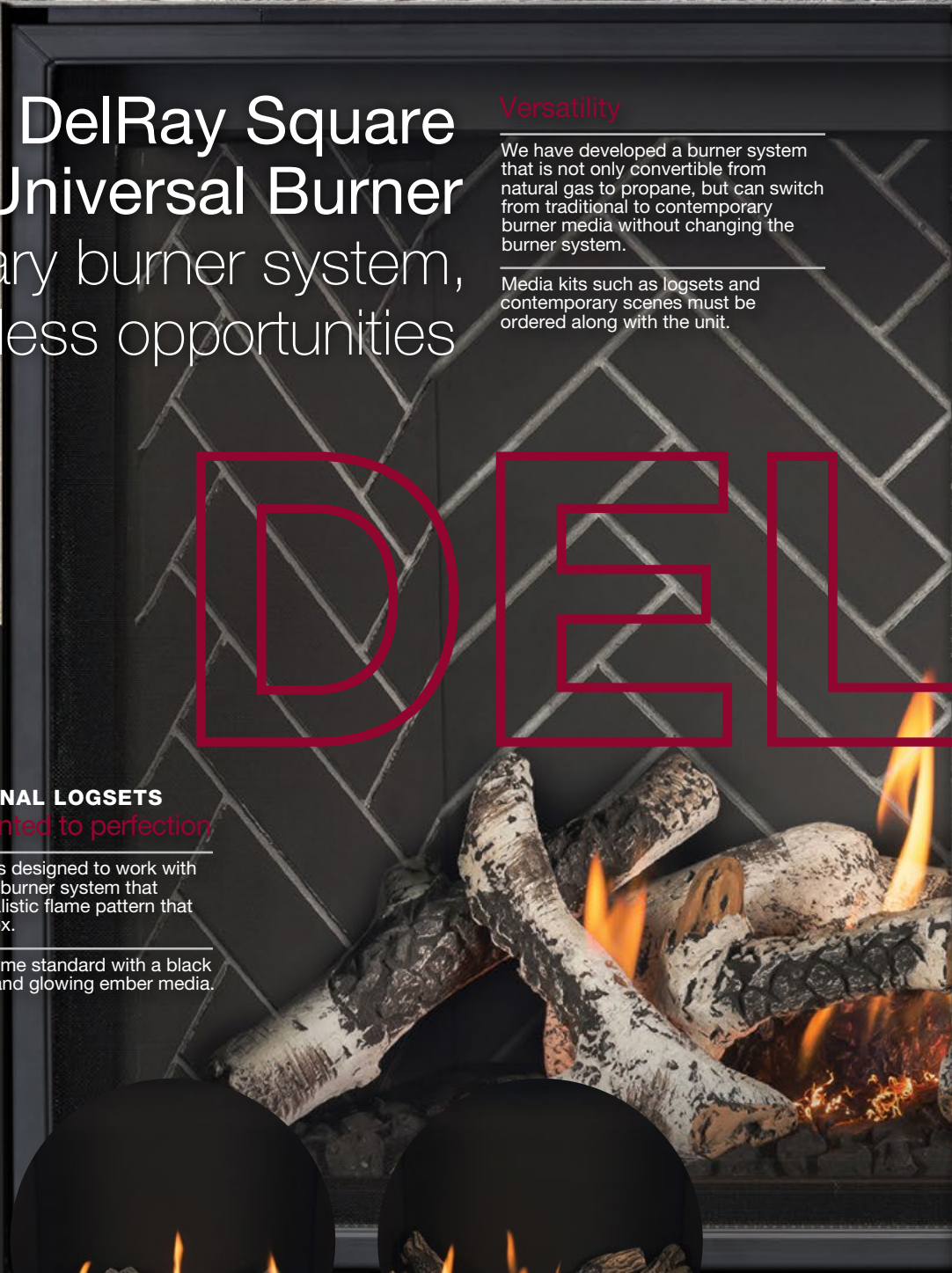
BIRCH
LGSBI38



DRIFTWOOD
LGSDW38



SPLIT OAK
LGSSO38



392

DECORATIVE CONFIGURATIONS

Make it your own

Pair any traditional logset or contemporary scene with any of our seven liners to create a vision that's completely yours.

Go even further and customize with a special coal or glass media bed.

RAY

CONTEMPORARY SCENES

Modern design at its best

Our contemporary scenes have been designed to create the best possible environment for tall, robust flames and pair beautifully with any room.

All contemporary scenes come standard with glass media, rocks, ceramic chips, and glowing ember media.



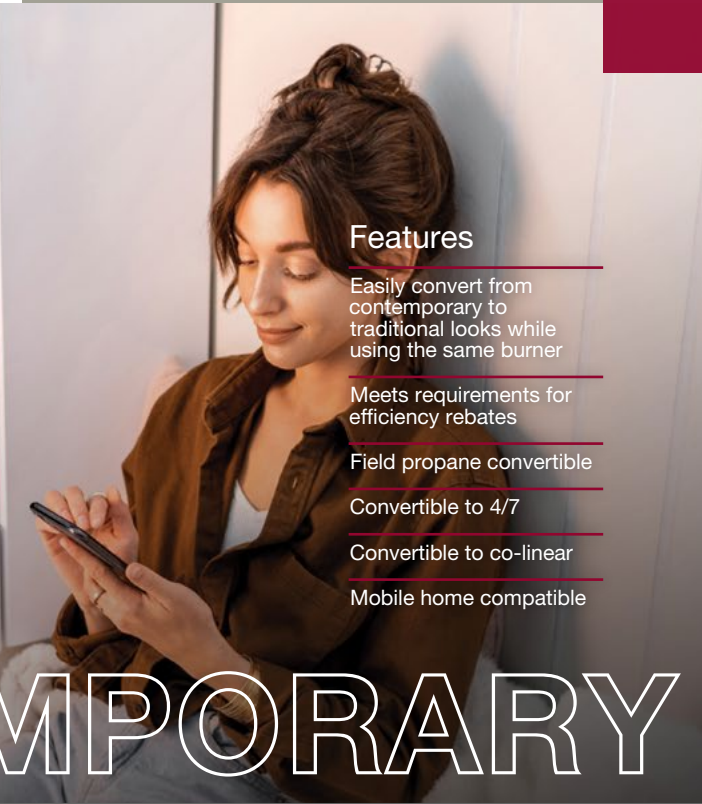
WINTER
CSW38



TWILIGHT
CST38



BEACH
CSB38



Features

Easily convert from contemporary to traditional looks while using the same burner

Meets requirements for efficiency rebates

Field propane convertible

Convertible to 4/7

Convertible to co-linear

Mobile home compatible

CONTEMPORARY TRADITIONAL

DELRAY SQUARE

DELRAY FULL LOAD SQUARE

DELRAY BASIC SQUARE

DRSQ38 DRSQ38-2

Single sided
Direct vent

Standard

Concealed universal burner

Multi-function remote control

Remote controlled fans

Invisimesh screen

Battery backup

Halogen downlighting

Options

Heat management

Adjustable trim kit

Traditional logsets

Contemporary scenes

Traditional and contemporary liners

Propane conversion kit

Speckled stones, glass media

Standard

Concealed universal burner

Options

Heat management

Adjustable trim kit

Remote control

Fans

Invisimesh screen

Traditional and contemporary liners

Propane conversion kit

Battery backup

Traditional logsets

Contemporary scenes

Speckled stones, glass media



QUICK DIMENSIONS

| | DRSQ38 | |
|---------|---|---------------------------------|
| | UNIT | FRAM. |
| F.WIDTH | 38 | 40 |
| B.WIDTH | 20 ³ / ₈ | 40 |
| HEIGHT | 38 | 44 ⁷ / ₁₆ |
| DEPTH | 16 ¹ / ₂ | 18 |
| VIEWING | 33 ¹¹ / ₁₆ x 22 ⁷ / ₈ | |

BTU LISTING

DRSQ38NI / 20,500
DRSQ38LI / 16,500

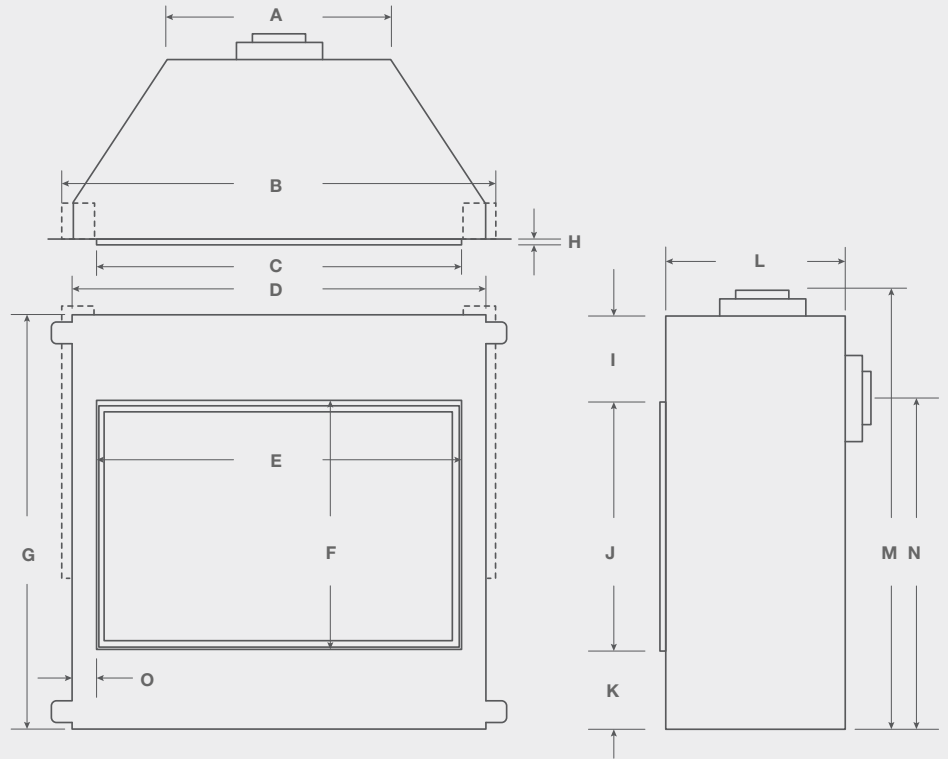
DRSQ38NI-2 / 24,000
DRSQ38LI-2 / 19,500

EFFICIENCY

DRSQ38NI / 63% P.4. 1-15
DRSQ38LI / 61% P.4. 1-15

DRSQ38NI-2 / 64% P.4. 1-15
DRSQ38LI-2 / 61% P.4. 1-15

DELRAY SQUARE DIMENSIONS



| | A | B | C | D | E | F | G | H | I | J | K | L | M | N | O |
|--------|--------------------------------|---------------------------------|--------------------------------|----|---------------------------------|--------------------------------|----|-----|-------------------------------|---------------------------------|-------------------------------|--------------------------------|---------------------------------|--------------------------------|-------------------------------|
| DRSQ38 | 20 ³ / ₄ | 39 ¹ / ₁₆ | 33 ³ / ₄ | 38 | 33 ¹ / ₁₆ | 22 ⁷ / ₈ | 38 | 1/2 | 8 ³ / ₄ | 22 ¹ / ₁₆ | 7 ¹ / ₄ | 16 ¹ / ₂ | 40 ⁵ / ₁₆ | 30 ¹ / ₂ | 2 ¹ / ₈ |



DELRAY / SQUARE / DRSQ38NI-2 / TWILIGHT SCENE



DELRAY / SQUARE / DRSQ38NI-2 / WINTER SCENE



REMOTE^Δ
RX200**



WALL REMOTE[†]
REC1493



DOWNLIGHTING^Δ



TRADITIONAL
LOGETS
LGS**38



CONTEMPORARY
SCENES
CS*38



TRIM KIT
DRSQT***

^Δ Standard on DRSQ38NI-2
[†] Optional on DRSQ38NI-2 only



GREY
HERRINGBONE
DRSQBK38GH



GREY
LEDGESTONE
DRSQBK38GL



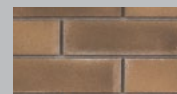
ASH FLUTED
DRSQBK38AF



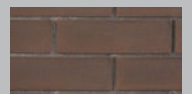
BLACK GLASS
RBGDRSQ38



VINTAGE BRICK
DRSQBK38VB



TAN BRICK
DRSQBK38TB



RED BRICK
DRSQBK38RB

OPTIONS &
FEATURES

LINERS

Cool Wall Advantage

Diverting heat away from the wall, keeping your tv or artwork safe



TV kits include

Louver

Plenum

Collars

Requires flex venting

TV KIT CODES

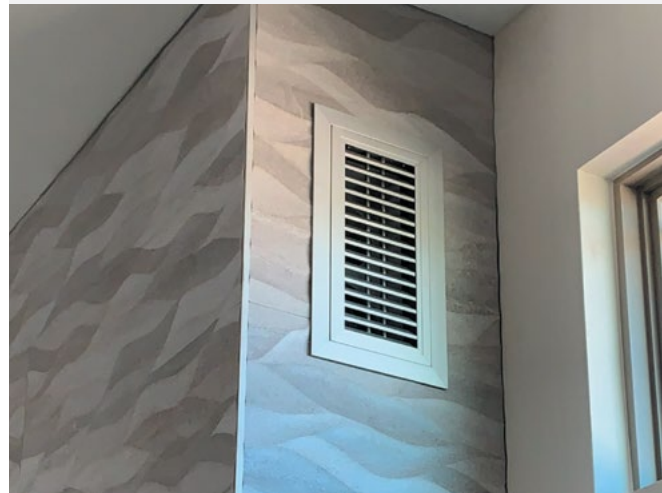
36" WALL KIT / HDKPD36

MONTIGO / COOL WALL ADVANTAGE / SIDEWALL / HORIZONTAL



Cool Wall Advantage TV and sidewall kit plenums are finished with aluminum and are ready to match any interior with your choice of high temperature paint.

MONTIGO / COOL WALL ADVANTAGE / SIDEWALL / VERTICAL



Sidewall kits include

2 Louvers

2 Plenums

Collars

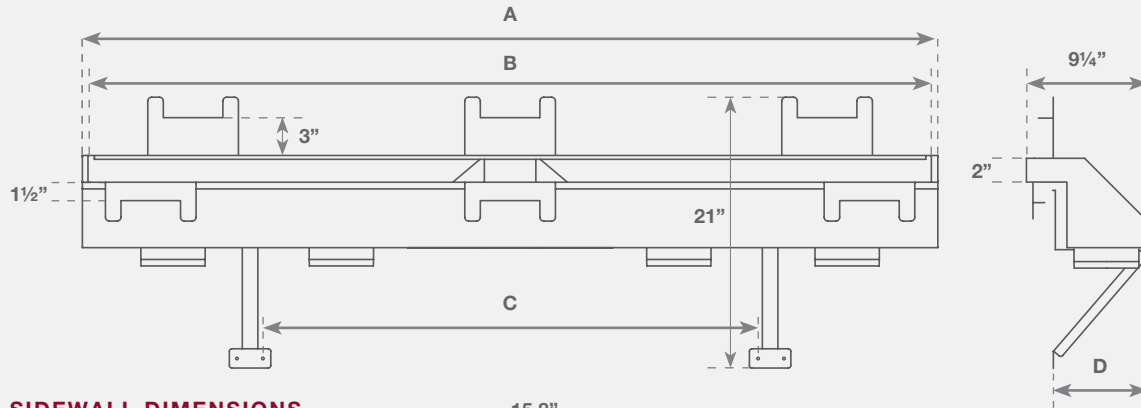
Requires flex venting

SIDEWALL KIT CODES

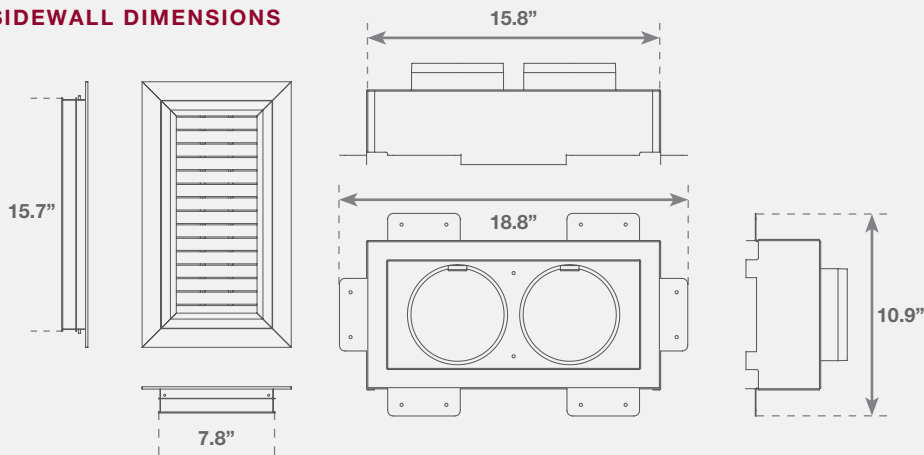
HOR. WALL KIT / HDKSD

VER. WALL KIT / HDKSVD

COOL WALL KIT DIMENSIONS



SIDEWALL DIMENSIONS



| | A | B | C | D |
|------------|----------------------------------|--------------------------------|-----|--------------------------------|
| 36" TV Kit | 39 ¹⁵ / ₁₆ | 38 ⁷ / ₈ | N/A | 7 ¹ / ₁₆ |



170°F / 76°C Heat Vent

Heat is diverted through the Cool Wall Advantage kit, safely bypassing the space above the fireplace.

100°F / 37°C Cool Wall†

Wall temperature is cool, creating an area safer for mounting a TV, or hanging artwork. Wood can even be used as a facing material when using the cool wall kit or by simply opening up the venting ports.‡

510°F / 265°C Glass

Reduced glass temperature, combined with the provided screen creates a safe viewing area.

† 100°F wall temperature is taken at 12" above glass opening.

‡ See manual for restrictions on facing materials





DELRAY / SQUARE / DRSQ38NI-2 / WINTER SCENE / REFLECTIVE BLACK GLASS

DELRAY / SQUARE / DRSQ38NI-2 / SPLIT OAK LOGSET / TAN BRICK



Unit Specifications

Icon Legend

AVAILABLE +

NOT AVAILABLE -

DEDICATED ◊

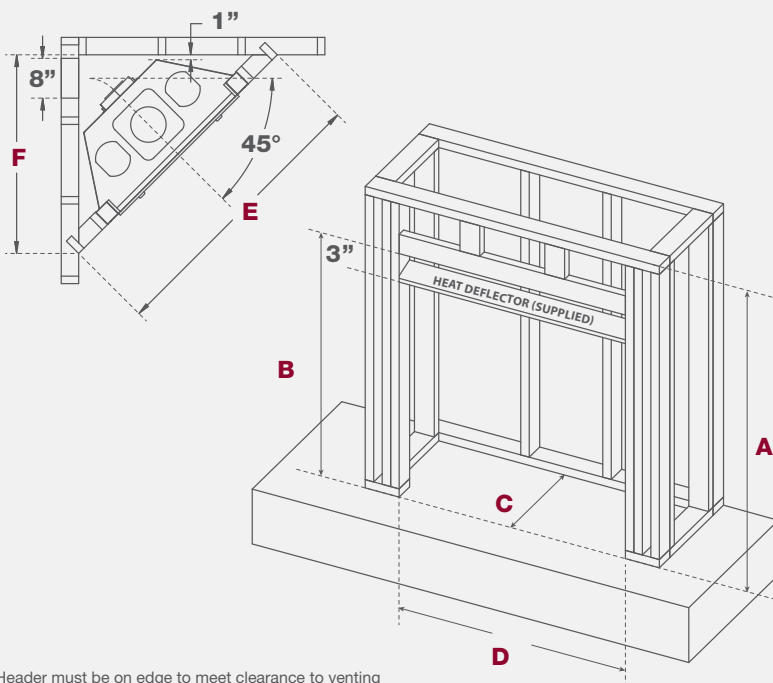
STANDARD ○

| | BTU Natural Gas | BTU Liquid Propane | Venting | Clearance Top - Top Vent | Clearance Rear - Top Vent | Clearance Sides | Clearance Back | Clearance Floor | Clearance Mantel | Front Viewing Area | Front Glass Type | Standard Media | Invisimesh Screen | Powervent | Remote Control | Fans | Uplighting | Downlighting |
|------------|-----------------|--------------------|--------------------|--------------------------|---------------------------|-----------------|----------------|-----------------|------------------|--|------------------|----------------|-------------------|-----------|----------------|------|------------|--------------|
| DRSQ38*I-2 | 24,000 | 19,500 | 5"/8" ^a | 21 | 17 | 0 | 1½ | 0 | 6 | 33 ¹ / ₁₆ X 22 ⁷ / ₈ | Borosilicate | n/a | ○ | + | ○ | ○ | - | ○ |
| DRSQ38*I | 20,500 | 16,500 | 5"/8" ^a | 21 | 17 | 0 | 1½ | 0 | 6 | 33 ¹ / ₁₆ X 22 ⁷ / ₈ | Tempered | n/a | + | + | + | + | - | - |

^aCan be reduced to 4"7"

DELRAY SQUARE FRAMING

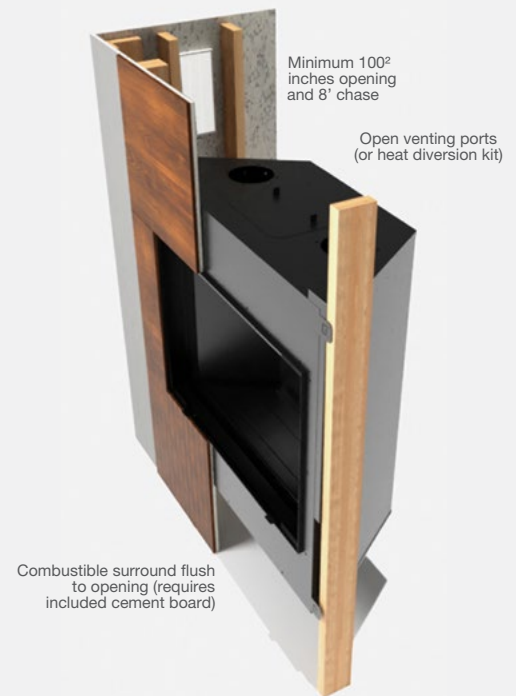
| | Flex | Rigid | | | | | |
|-------------|------|---------------------------------|---------------------------------|----|--------------------------------|--------------------------------|----|
| Top vented | A | A | B | C | D | E | F |
| DRSQ38 | 59 | 62 ¹ / ₈ | 44 ⁷ / ₁₆ | 18 | 40 | 56 ¹ / ₂ | 40 |
| Rear vented | A | B | C | D | E | F | |
| DRSQ38 | 55 | 44 ⁷ / ₁₆ | 18 | 40 | 56 ¹ / ₂ | 40 | |



Header must be on edge to meet clearance to venting

Heat deflector only required on full load units

DELRAY SQUARE WOOD FACING



IMPORTANT
Leaving the venting ports open requires a minimum chase height of 8' and a chase opening of at least 100² inches

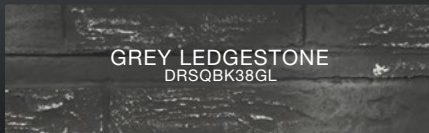


VINTAGE BROWN BRICK
DRSQBK38VB

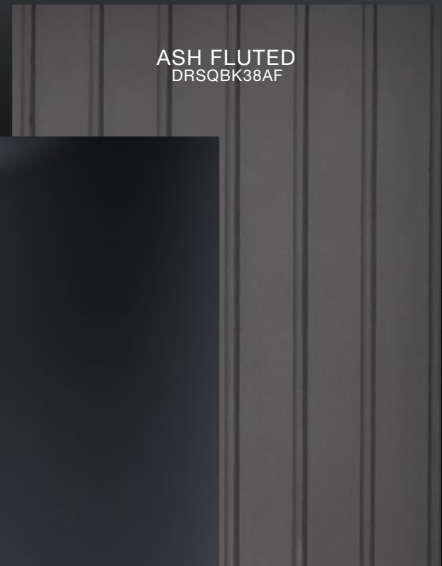
TAN BRICK
DRSQBK38TB

RED BRICK
DRSQBK38RB

LINERS



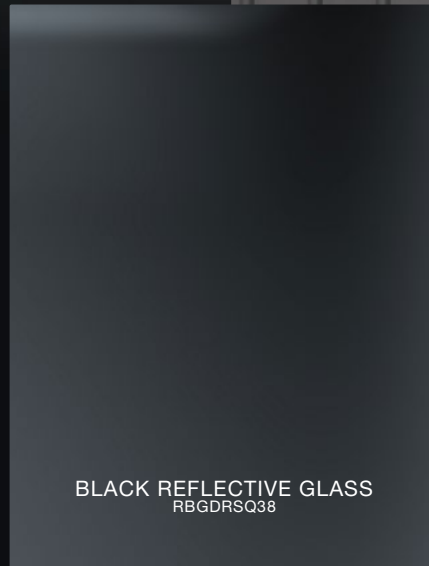
GREY LEDGESTONE
DRSQBK38GL



ASH FLUTED
DRSQBK38AF



GREY HERRINGBONE
DRSQBK38GH



BLACK REFLECTIVE GLASS
RBGDRSQ38



SPECKLED STONES
RR***SS



COPPER
HW1143



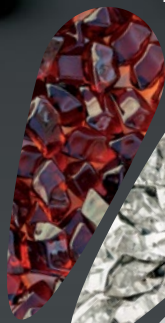
AMBER
HW1261



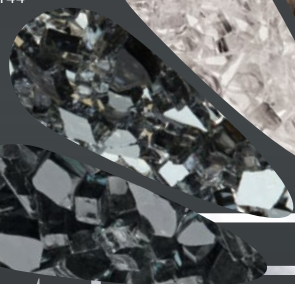
ICE
HW1157



GLACIER
HW1219B



PLATINUM
HW1144



ALABASTER
HW1260



OBSIDIAN
HW1113



ONYX
HW1259



MEDIA

SAGE
HW1082



QUARTZ
HW1106



FROST
HW1112



EBONY
HW1091



COALS
HW1265, HW1266



1976: The Days Before Gas Fireplaces

In 1976, Montigo president and founder, Dan Binzer, started installing zero-clearance wood burning fireplaces for local builders in Vancouver, BC. Over the years, demand grew for a gas alternative, and Dan engineered and manufactured the first ever sandpan logset. The logset was installed in a zero-clearance wood burning fireplace shell, resulting in one of the first zero-clearance gas fireplaces on the market.

1985: Gas Fireplace Manufacturing Begins

Demand for gas grew rapidly, especially among multi-unit developments so Dan Binzer started a company called Canadian Heating that would offer full service design, engineering and manufacturing for gas fireplaces. Under the Montigo brand, Canadian Heating began manufacturing and selling a wide selection of zero-clearance gas fireplaces throughout Canada and in 1985 development began for the latest and greatest in gas fireplace technology – direct venting.

1994: Manufacturing Excellence is Achieved

Development and advancement of the gas fireplace continued over the years with continual developments to improve the efficiency of the fireplaces and perfected manufacturing processes to deliver an optimum fireplace each and every time – even for completely custom units.

Present: Leading the Way with Modern Fireplace Design

As one of the first to bring a linear designed fireplace to market, Montigo now offers the largest selection of linear fireplaces demanded by designers, architects and homeowners wanting to create a modern and contemporary space and homeowners wanting to create a modern and contemporary space.

WARNING

Some materials used in the manufacturing process of this product can expose you to Benzene which is known in the State of California to cause cancer and birth defects or other reproductive harm. For more information go to www.P65warnings.ca.gov

for more inspiration go to
www.montigo.com

MONTIGO[®]
the art of **fireplaces**



Our Guarantee

Montigo[®] stands behind the craftsmanship and durability of our products by providing a 15 year warranty on the burner and firebox in all our residential fireplaces.

ARCAT
Printed in Canada

XB2218