

GF 305 DV IPI Illustrated Parts Breakdown

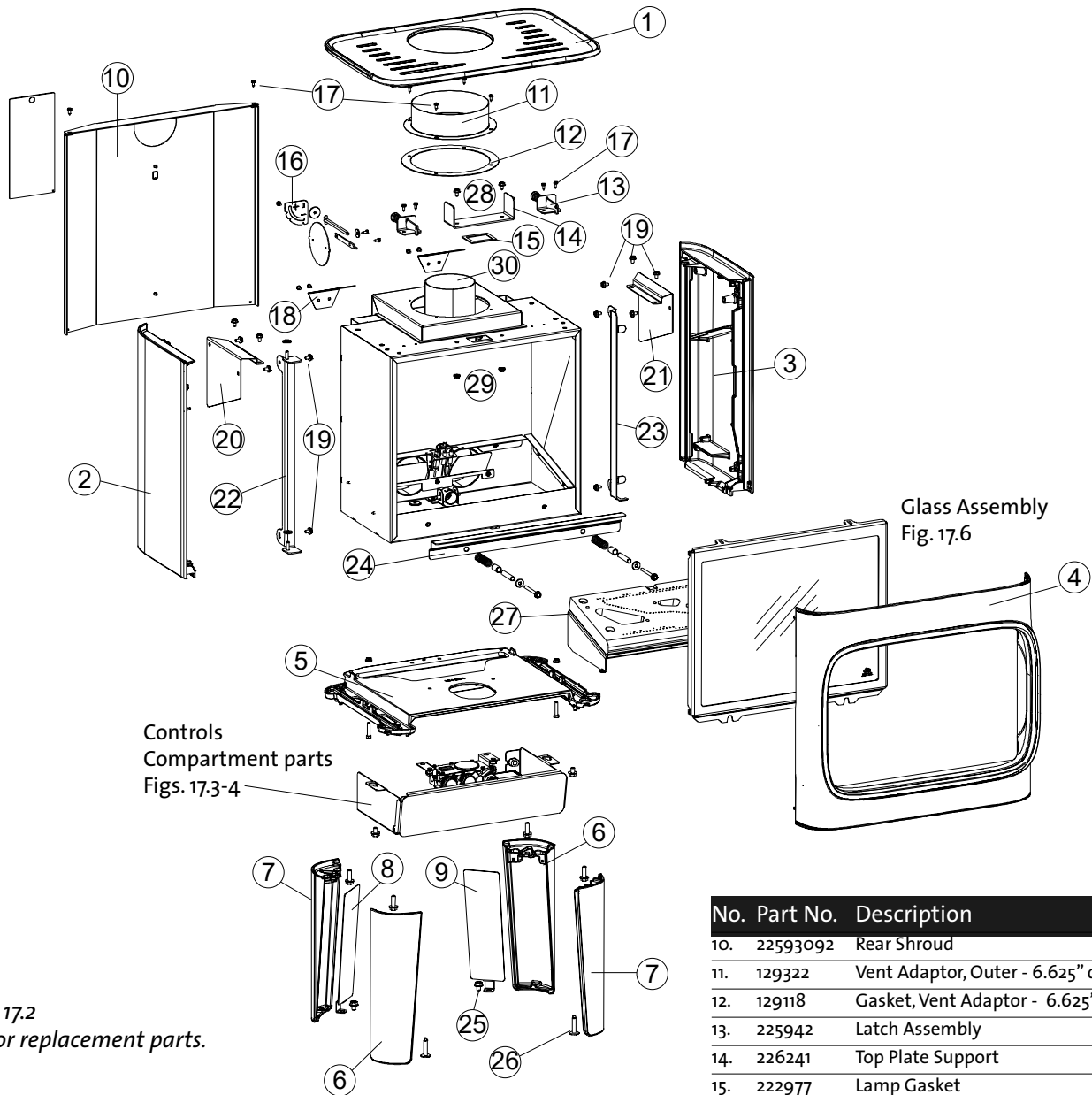


Figure 17.2
Exterior replacement parts.

| Cast Iron Parts | Matte Black Paint | White Enamel |
|-----------------------------|-------------------|-------------------|
| 1. Top Plate | 10469592 | 10469453 |
| 2. Side Plate, Left, | 10469992 | 158039 |
| 3. Side Plate, Right | 10500092 | 158040 |
| 4. Front Door Plate | 10469692 | 158041 |
| 5. Base Plate | 10469492 | 158044 |
| 6. Leg, Lt Front / Rt. Rear | 10500192 | 10500153 |
| 7. Leg, Rt Front / Lt. Rear | 10500292 | 10500253 |
| 8. Utility Cover Plate, Lt. | 22623992 | 226239WHP (steel) |
| 9. Utility Cover Plate, Rt. | 22592592 | 225925WHP (steel) |

| No. | Part No. | Description |
|------|----------|------------------------------------|
| 10. | 22593092 | Rear Shroud |
| 11. | 129322 | Vent Adaptor, Outer - 6.625" dia. |
| 12. | 129118 | Gasket, Vent Adaptor - 6.625" dia. |
| 13. | 225942 | Latch Assembly |
| 14. | 226241 | Top Plate Support |
| 15. | 222977 | Lamp Gasket |
| 16. | 22608292 | Restrictor Guage |
| 17. | 117917 | #8 x 1/2" SM screw |
| 18. | 226237 | Rear Air Deflector |
| 19. | 9962 | Bolt, M6 x 10 mm |
| 20. | 225926 | Side Plate Retainer, Left |
| 21. | 226071 | Side Plate Retainer, Right |
| 22. | 22594992 | Hinge, Side Plate |
| 22a. | 22598192 | Hinge, Door* |
| 23. | 226083 | Door Catch |
| 24. | 22606292 | Glass Frame Retainer |
| 25. | 99115 | Bolt, Cover Plate, M8 x 12 mm |
| 26. | 118047 | Leg Leveler |
| 27. | 157959 | Replacement Burner Assembly |
| 28. | 99625 | Bolt, M6 x 16 Serr. Flange Hd, blk |
| 29. | 117968 | Nut, M6 Serr. Flange, plain |
| 30. | 157712 | Vent Adaptor Asy. - Replacement |

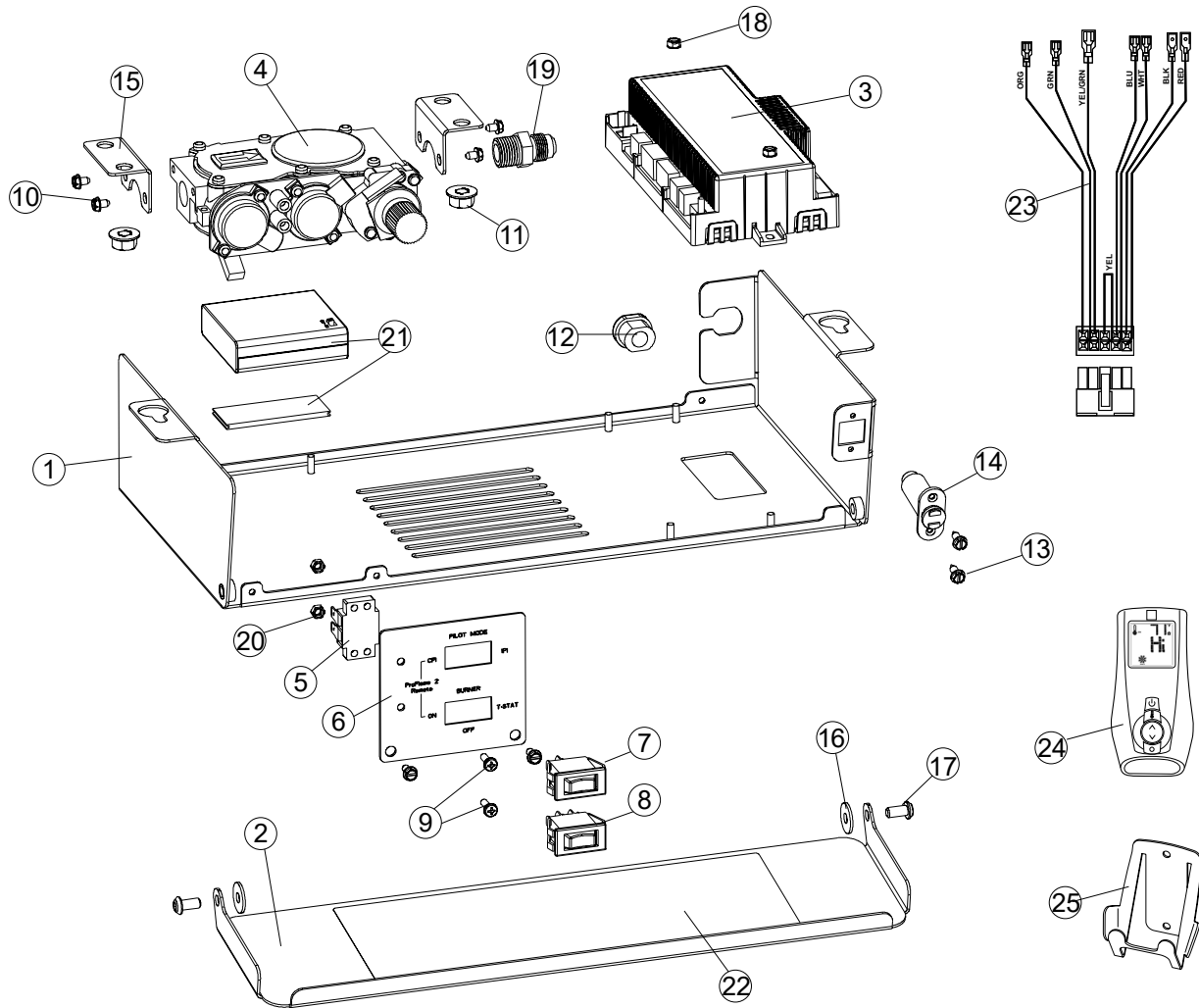


Figure 17.3
GF 305 DV IPI Valve Assembly and IFC Components.

| No. | Part No. | Description |
|-----|----------|---|
| 1. | 22593292 | Control Compartment |
| 2. | 22993392 | Control Compartment Door |
| 3. | 158130 | Proflame 2 IFC Control Board (POD) |
| 4. | 223980 | Valve, NG - SIT Proflame, o.886.002, 30% TD |
| 5. | 129154 | Terminal Block Bracket, 2 pole, 77 Series |
| 6. | 224781 | Control Switch Plate, IPI |
| 7. | 120517 | Switch, Rocker, SPST, Black Plain |
| 8. | 220703 | Switch, Center OFF, Black Plain |
| 9. | 117921 | Screw, Pan Hd, M4 x 12 mm |
| 10. | 118214 | Screw, #8 x 1/4", Taptite |
| 11. | 117881 | Nut, M6 Serr Flange |
| 12. | 117951 | Wire Strain Relief |
| 13. | 117917 | #8 x 1/2" Sheet metal screws, 4 |
| 14. | 224145 | Magnetic Catch |
| 15. | 129154 | Terminal Block Bracket, 2 pole, 77 Series |
| 16. | 117588 | Washer, Hinge - M6 x 12 |

| No. | Part No. | Description |
|------|-----------|---|
| 17. | 117130 | Hinge Bolt, Hex Hd Serr Flange, M6 x 12 mm |
| 18. | 118055 | Kepnut, M4, Ext. Tooth, Lockwasher |
| 19. | 223215 | Flex Line Adaptor, Brass, 3/8 NTP x 3/8" dia. |
| 20. | 117922 | Nut, Hex - M4 |
| 21. | 157265 | Replacement IPI Battery Box (4, AA) w/ pads |
| 22. | 224952 | Instruction Label, Controls Door |
| 23. | 157711 | Replacement IPI Wire Harness |
| 24. | 157495 | Replacement Multifunction Remote / Black |
| 25. | 223951BKP | Replacement Remote Wall Bracket / Black PC |
| 26.* | 157494 | Replacement Burner Control Wire Harness |
| 27.* | 157492 | Replacement Power Cord Ass'y. IPI* |
| 28.* | 226310 | Flex Gas Supply line, 3/8" O.D. x 36" |

* not illustrated

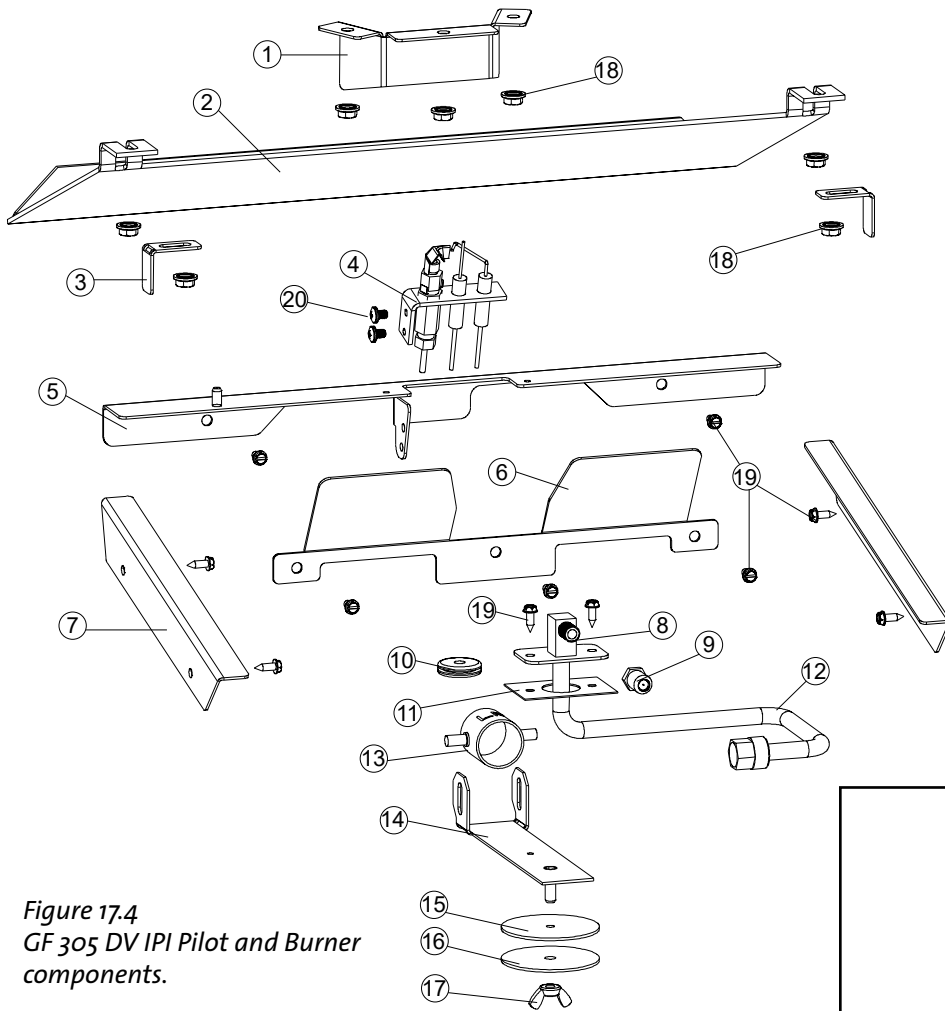


Figure 17.4
GF 305 DV IPI Pilot and Burner components.

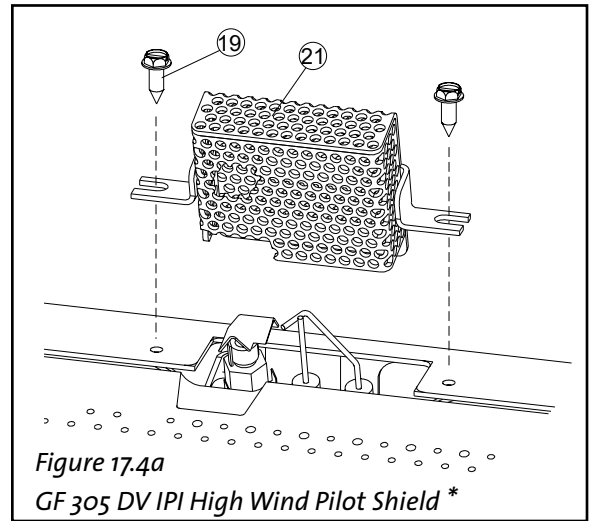


Figure 17.4a
GF 305 DV IPI High Wind Pilot Shield *

| No. | Part No. | Description |
|-----|----------|---------------------------------------|
| 1. | 226061 | Exhaust Deflector, <i>NG use only</i> |
| 2. | 22545692 | Lower Exhaust Baffle |
| 3. | 22610092 | Side Panel Retainer, 2 |
| 4. | 225681 | Pilot Assembly, Dual Fuel Flame Hood |
| 5. | 22592892 | Rear Burner Skirt |
| 6. | 226055 | Primary Air Baffle |
| 7. | 22608492 | Side Panel Support Shelf |
| 8. | 223231 | Orifice Holder, Drop-in Assembly |
| 9. | 129130 | Orifice, #38 - NG |
| | 220048 | Orifice, 1.55 mm |
| 10. | 225525 | Silicone - Pilot Plug |

| No. | Part No. | Description |
|-----|----------|---|
| 11. | 222280 | Gasket, Drop-in Orifice Holder |
| 12. | 223231 | Fuel Line Assembly |
| 13. | 221390 | Air Shutter |
| 14. | 225927 | Air Shutter Handle |
| 15. | 220734 | Air Shutter Gasket |
| 16. | 118023 | Air Shutter Washer |
| 17. | 117975 | Wing Nut |
| 18. | 117968 | Nut, M6 Hex |
| 19. | 117917 | Screw 8 x 12 1/2 SL Blk Oxide |
| 20. | 118279 | Screw, Button Hd |
| 21. | *226240 | High Wind Pilot Shield - <i>special order</i> |

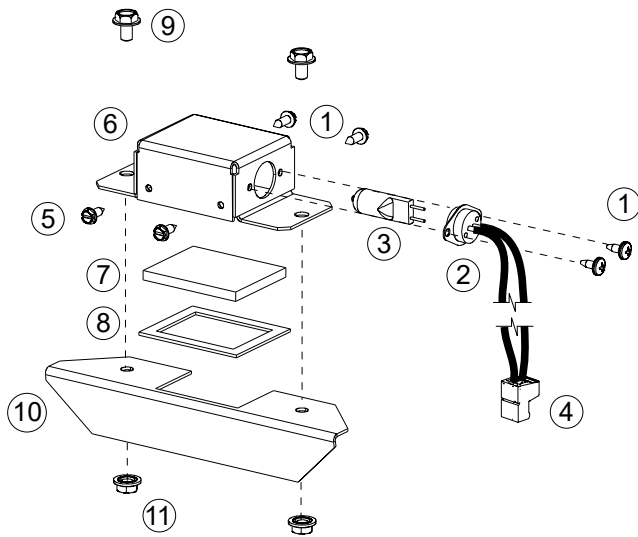


Figure 17.5
GF 305 DV IPI Accent Lamp Assembly

No. Part No. Description

| | | |
|-----|----------|---|
| 1. | 117967 | Screw, Pan Head #7 x 3/8 PH Zinc |
| 2. | 157601 | Replacement Lamp Wire Harness |
| 3. | 222943 | Light Bulb, 130 Volt, 30 Watt |
| 4. | 224796 | Connector, 2 pin, IPI Accessories |
| 5. | 117917 | Screw, 8 x 1/2 SL Blk Oxide |
| 6. | 22476392 | Light Box, Delay Door Mount |
| 7. | 222974 | Glass, Ceramic, Light Fixture |
| 8. | 222977 | Gasket, Light Cover |
| 9. | 99625 | Bolt, Hex Head Serr. Flange M6 x 16 8.8 Blk |
| 10. | 22476792 | Lamp Shade |
| 11. | 117968 | Nut, M6 Serrated Flange, Plain |

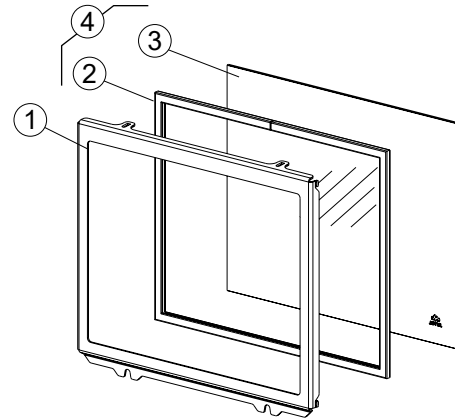


Figure 17.6
GF 305 DV IPI Glass Assembly

No. Part No. Description

| | | |
|----|----------|---|
| 1. | 22545492 | Glass Frame |
| 2. | 129124 | Gasket, Tadpole - .25 dia. x 1.25", 6 ft. |
| 3. | 225476 | Glass Panel, Ceramic |
| 4. | 157960 | Replacement Glass Kit, GF 305 DV IPI |

Kit includes 220042 Replacement Glass Clips, 4

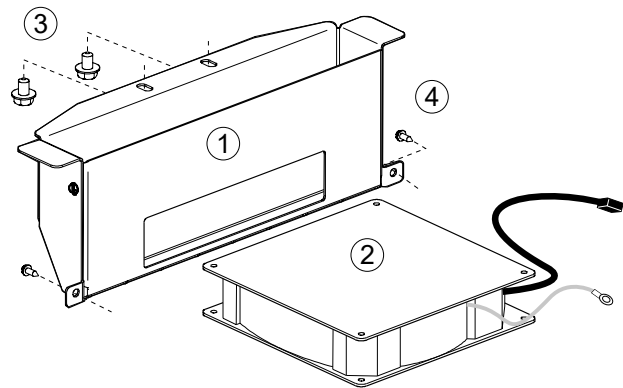


Figure 17.7
GF 305 DV IPI Blower Components

No. Part No. Description

| | | |
|----|----------|---|
| 1. | 22545492 | Blower Shroud |
| 2. | 158036 | Replacement Blower |
| 3. | 99625 | Bolt, Hex Head Serr. Flange M8 x 15 mm, Blk |
| 4. | 117917 | #8 x 1/2" SM screw |

Replacement Log Set Parts / See pgs. 24 -27

Replacement Fluted Panel Parts

| | | |
|----|--------|--------------------------|
| 1 | 226210 | Fluted Rear Panel |
| 3. | 226211 | Fluted Side Panel, Left |
| 3. | 226212 | Fluted Side Panel, Right |
| 4. | 226100 | Panel Retainer Bracket |

Replacement Black Reflective Glass Panel Parts

| | | |
|----|--------|-----------------------------|
| 1 | 226087 | Reflective Rear Panel |
| 2. | 226088 | Reflective Side Panel, Left |
| 3. | 226089 | Reflective Panel, Right |
| 4. | 226100 | Panel Retainer Bracket |