

Figure 17.2  
GF160 DV IPI Firebox and Cast Iron Assembly

No.	Part No.	Description
1.	117917	Screw, #8 x 1/2" SM Blk Oxide
2	158067	Glass, Ceramic, Front, 5mm (.197")
3	129124	Gasket, Tadpole, .25 X 1.25 l, Graphite, Self Adhesive
4	225952	Screen Assembly, Side
5	22595392	Retainer, Side Screen - MB
6	118034	Bolt, M6 x 12 Button Head Socket
7	117876	Bolt, M8 x 25, Hex Serr Flng Hd, Class 8.8, Blk Oxid
8	10480292	Side Plate, Right, Matte Black Paint
	10480253	Side Plate, Right, White Enamel
9	226249	Baffle Wing
10	22603392	Exhaust Baffle - Matte Black
11	117968	Nut, M6 Serrated Flange plain
12	22603292	Burner Skirt, - Matte Black
13	226260	Air Deflector, Under Skirt
14	22603492	Door Hinge, Upper - Matte Black
15	117130	Bolt, Hex Head Serr Flange M6x12 Blk
16	22603592	Bracket, Door Hinge Upper - Matte Black
17	12601192	Glass Clip w/o gasket - Matte Black
18	225950	Screen Assembly, Front
19	158069	Door, Matte Black Paint
	158070	Door, White Enamel
20	10482392	Handle, Primary Air - Matte Black
21	22625892	Door Hinge, Lower - Matte Black
22	117587	Washer, Door Handle, M6 X 18mm OD x 1.6mm
23	226213	Spacer, Door Hinge, .188"
24	118239	Screw, Shoulder, M8x13 Thd, 10mmx16mm Shldr,
25	10481492	Leg, Right - Matte Black
	10481453	Leg, Right - White Enamel
26	10482292	Door Filler - Matte Black
	10482253	Door Filler - White Enamel
27	22603892	Bracket, Door Handle - Matte Black
28	225338	Magnet, .375" Dia x .25", Neo High Temp
29	224909	Cap, Silicone, .375" ID x .250" DP
30	10481292	Leg, Left - Matte Black
	10481253	Leg, Right - White Enamel
31	10469892	Rear Leg - Matte Black
	10469853	Rear Leg - White Enamel
32	226310	Flex tube, 36" x 3/8 OD Gas Supply
33	157492	Replacement Power Cord Ass'y, Proflame 2 IPI
34	22606892	Retainer, Electric & Gas Supply - Matte Black
35	117951	Wire Strain Relief, Heyco 7P-2 (Large)
36	22605092	Rear Cover, Supply Lines - Matte Black
37	158080	Glass, Ceramic, Side, 5mm (.197") INC. Gasket, #38
38	225961	Gasket, Woven Tape, .187" x .750"
39	22595492	Retainer, Side Glass - Matte Black

No.	Part No.	Description
40	158068	Base Plate - Matte Black
	158076	Base Plate - White Enamel
41	22595192	Glass Frame - Matte Black
42	222280	Gasket, Drop In Orifice Holder
43	226247	Shim, Drop in Orifice Holder
44	223231	Orifice Holder, Drop In Assembly, 12.5" Tube
45	226255	Orifice, 2.45mm, NG
46	117986	Screw, #8 X 3/4 SL HWH SMA ZINC
47	117975	Nut, Wing M6 Zinc
48	226263	Gasket, Shutter Handle, GF 160 DV IPI
49	226054	Handle, Air Shutter, GF 160 DV IPI IPI
50	224903	Air Shutter Ass'y, .75" Window
51	157604	Venturi Weldment, inc. w/ #53
52	224790	Burner Gasket, inc. w/ #53
53	158071	Replacement Burner Assembly
54	117999	Screw, SL SMA Type B #8 x 3/8 Zinc
55	226262	Pilot Shield, GF160 DV IPI
56	225681	Pilot Assembly, NG/LP, Angle Brkt, PSE
57	226238	Bracket, Pilot Mount GF160 DV IPI
58	225525	Grommet, Silicone, Pilot Plug, GF500
59	22299592	Top Grill, 2 - Matte Black
60	158072	Top Plate - Matte Black
	158073	Top Plate - White Enamel
61	129322	Adapter Pipe, 6.625 dia
62	129118	Gasket, Starter
63	22009192	Latch, Glass Frame / MB
64	224763	Light Box, Delay Door Mount
65	9911	Bolt, Hex Cap, M6x45, DIN 933, Class 8.8, Blk
66	120004	Washer, Fender, 6.4mm ID x 18mm OD
67	118267	Sleeve, .375" OD x .312" OD x 1.50", Steel
68	22602892	Delay Door - Matte Black
69	226070	Gasket, Relief Door, GF 160 DV IPI
70	226026	Inner Rod, Exhaust Restrictor, GF 160 DV IPI
71	226025	Exhaust Restrictor Plate, GF 160 DV IPI
72	223241	Gasket, Exhaust Restrictor
73	22602492	Washer, Exhaust Restrictor - Matte Black
74	22602792	Outer Rod, Exhaust Restrictor - Matte Black
75	157601	Replacement, IPI Light Holder Harness
76	222974	Glass, Ceramic, Light Fixture
77	222977	Gasket, Light Cover
78	10480392	Side Panel, Matte Black Paint
	10480353	Side Panel, White Enamel

# GF 160 DV IPI Illustrated Parts Breakdown

Use only parts available from Jøtul authorized dealers.

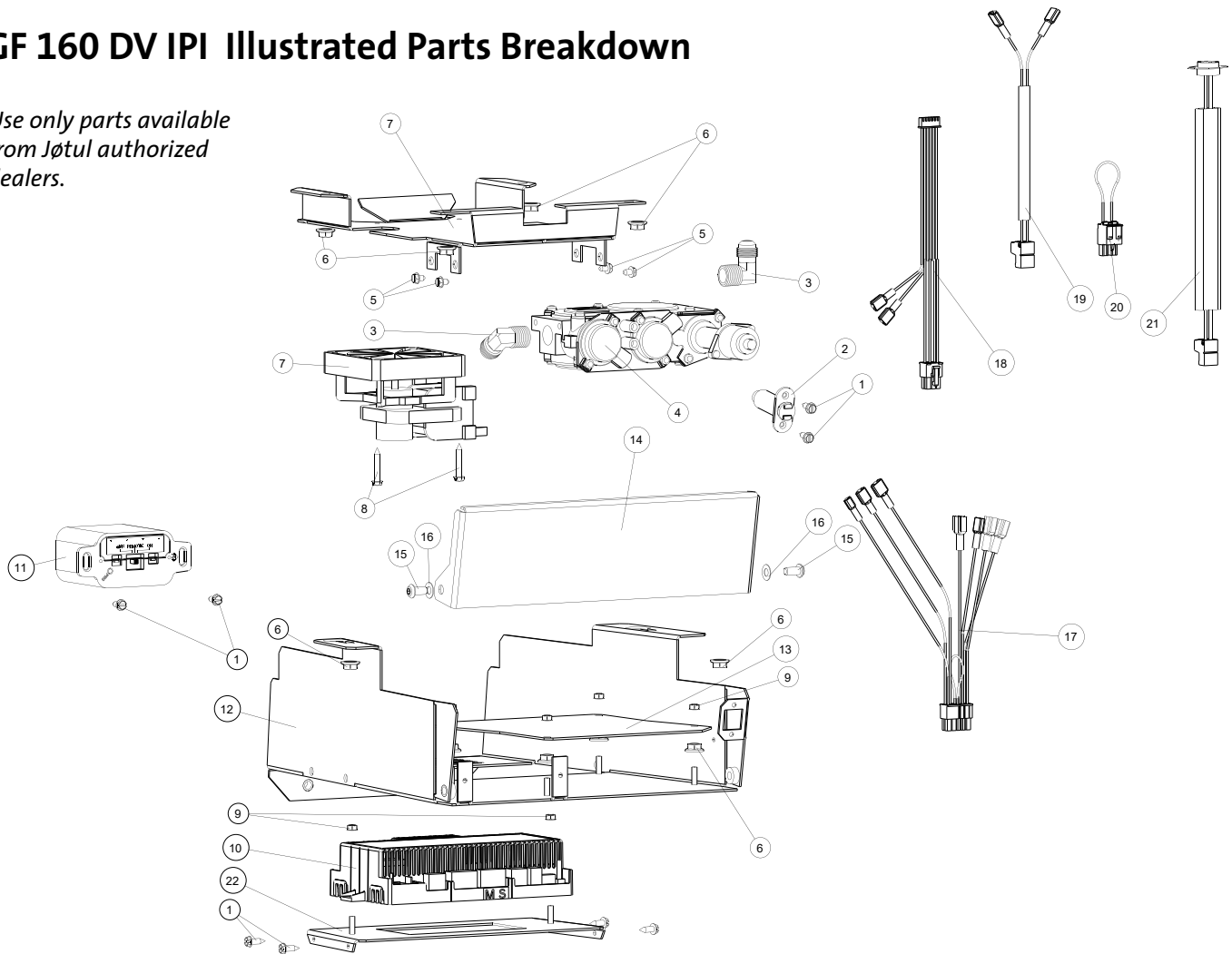


Figure 17.3  
GF 160 DV IPI Valve Assembly and IFC Components.

No.	Part No.	Description
1.	117917	Screw, #8 x 1/2" SM Blk Oxide
2.	224145	Magnetic Door Catch, Push Release
3.	222292	Elbow, 90°, Bass 3/8" x 3/8"
4.	222922	Valve, NG - 30% TD, SIT .885.001 w/Motor
5.	118214	Screw, #8 x 1/4", Taptite, SLHWH
6.	117986	Nut, M6 Serr. Flange Hd
7.	223227	Blower, Axial, 40 CFM, 120V
8.	118095	Screw, #8 x 1" HWH SM
9.	118055	Kepnut, M4, Ext. Tooth, Lockwasher
10.	158130	Proflame 2 IFC Control Board (POD)
11.	158006	Replacement, Proflame 2 Battery Box
12.	226048	Controls Cover
13.	226294	Rating Plate Bracket
14.	22605992	Control Door, Matte Black
15.	118034	Bolt, M6 x12 Button Hd Socket
16.	117588	Washer, Hinge - M6 - 12mm OD x 6mm ID

No.	Part No.	Description
17.	158065	Replacement Valve Harness
18.	158064	Replacement Switch Harness
19.	158066	Replacement Blower Wire Harness
20.	158053	Replacement Proflame 2 ON/Off (x4) Jumper
21.	157601	Replacement 2 Bulb Holder
22.	226429	IFC Mounting Plate
23.	157492*	Replacement Power Cord Ass'y. IPI
24.	157711*	Replacement IPI Wire Harness
25.	157601*	Replacement Multifunction Remote / Black
26.	223951BKP*	Replacement Remote Wall Bracket / Blk Pct
27.	157494*	Replacement Burner Control Wire Harness
28.	226568*	Blower Shield

\*not illustrated

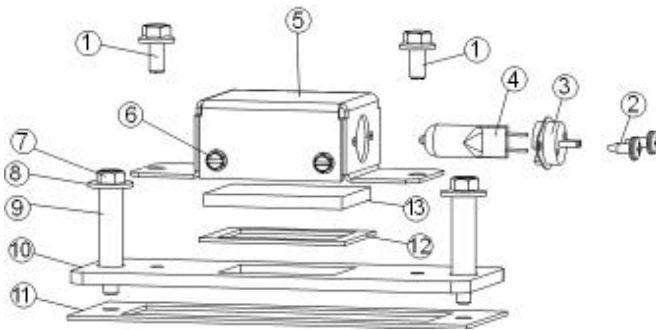


Figure 17.4  
GF 160 DV IPI Accent Lamp Assembly

No.	Part No.	Description
1.	117130	Bolt, Hex Hd Serr Flange M6 x 12 Blk
2.	117967	Screw, Pan Hd #7 x 3/8 PH
3.	157601	Replacement Light Fixture, High-Temp,
4.	224943	Light Bulb, 130 Volt, 35 Watt
5.	22476392	Light Box, Delay Door Mount, MB
6.	117917	Screw, #8 x 1/2" SM
7.	9911	Bolt, Hex Cap, m6 x 45mm Blk
8.	120004	Washer, Fender, 6.4mm ID x 18mm OD x 1.6mm
9.	118267	Sleeve, .375" OD x .312" OD x 1.50"
10.	22602892	Delay Door, MB
11.	226070	Gasket, Delay Door
12.	222977	Gasket, Light Cover
13.	222974	Glass, Ceramic, Light Fixture

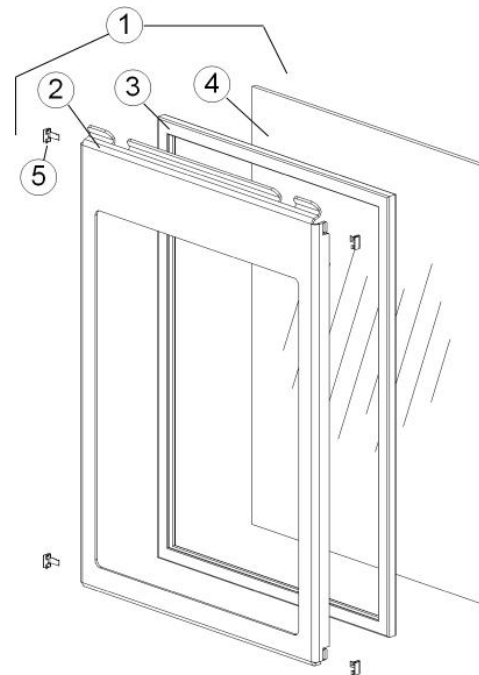


Figure 17.5  
GF 160 DV IPI Glass Assembly

No.	Part No.	Description
1.	158067	Replacement Glass Kit, GF 160 DV IPI Does not include #2, Steel Glass Frame
2.	220042	Tinnerman Retainer Clips, 4
3.	129124	Gasket, Tadpole - .25" x 1.25", 7ft.
4.	225959	Glass Panel, Ceramic - 5 mm
5.	22595192	Glass Frame 220042

## GF 160 Optional Panel Replacement Parts

### Replacement Firebox Panel Parts

1	226029	Rear Panel
2.	226030	Side Panel, L & R

### Replacement Black Reflective Glass Panel Parts

1	226073	Reflective Rear Panel
2.	226074	Reflective Side Panel, Right
3.	226075	Reflective Panel, Left

## GF 160 Safety Screen Barrier Replacement

1	158062	Front Panel
2.	158063	Side Panel, L & R