

Illustrated Part Breakdown

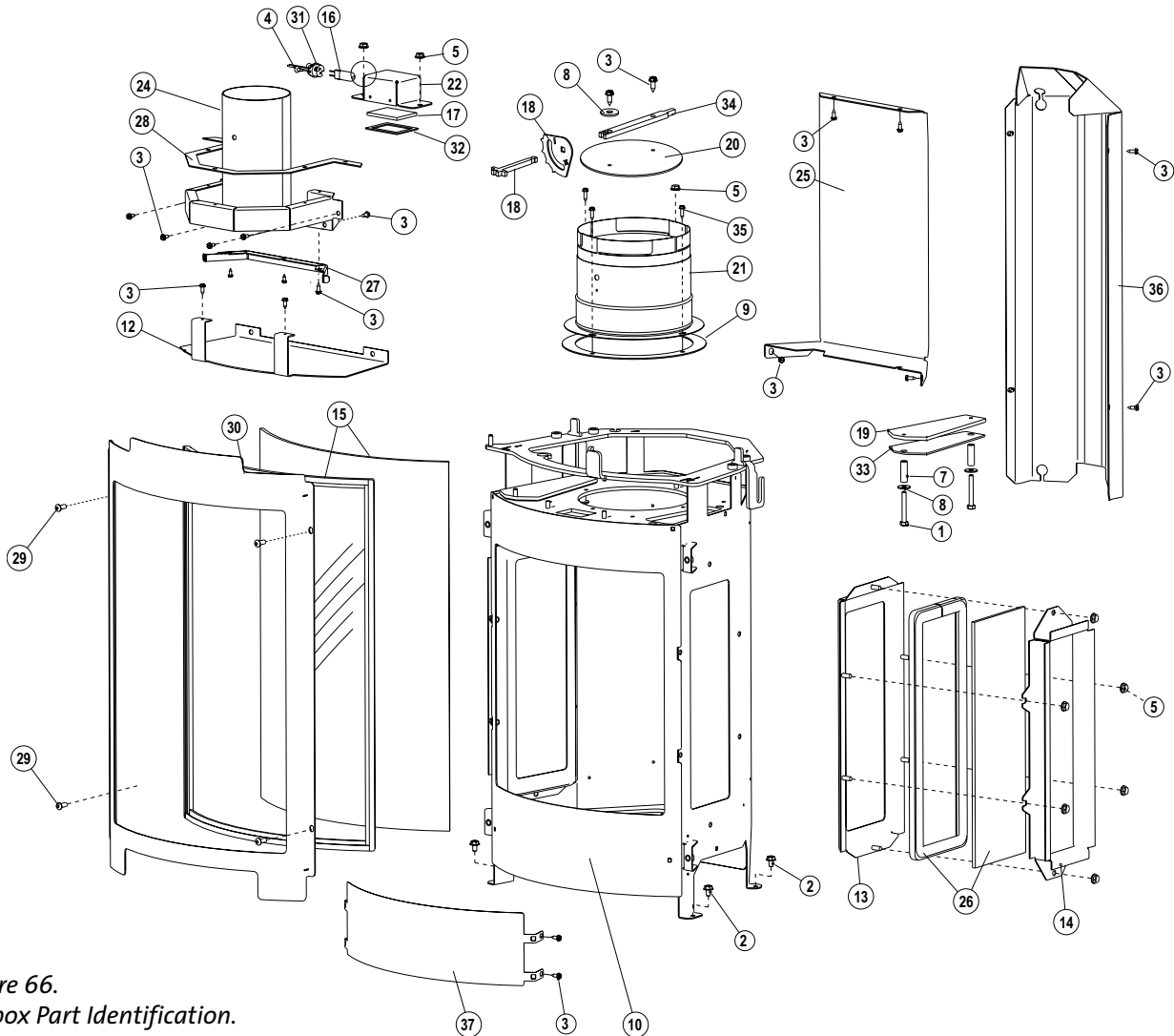
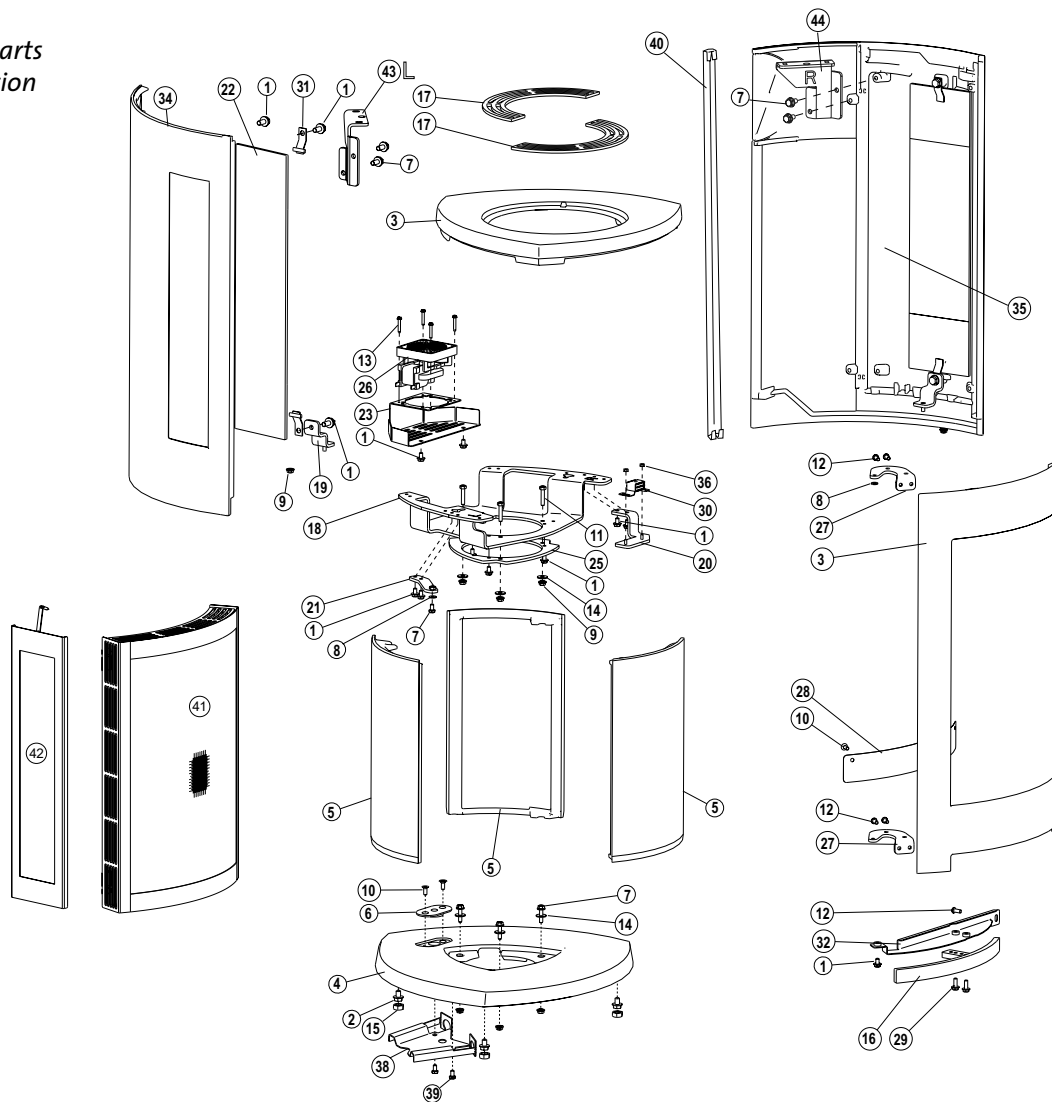


Figure 66.
Firebox Part Identification.

No.	Part Number	Description	No.	Part Number	Description
1	9911	Bolt, Hex Cap, M6x45, DIN 933, Class 8.8, Blk	21	22298392	Simpson DV II Starter Collar, GF 370, MB
2	9962	Bolt, Hex Cap M6x10 DIN 933 8.8 Ser Flange Blk	22	22298892	Light Box, Inner
3	117917	Screw, HWH SMA 8 x 1/2 SL Blk Oxide	24	223202	Intake Manifold, GF 370
4	117967	Screw, Pan Head #7 x 3/8 PH SMA Zinc	25	22320592	Burner Skirt, Rear, GF 370, MB
5	117968	Nut, M6 Serrated Flange plain	26	156834	Replacement Inner Side Glass & Gasket, GF 370
6	117978	Screw, Button Head Socket M6X10 Blk	27	22324392	Panel Retainer, GF 370
7	118267	Spacer, .375 O.D. x 1.50	28	223295	Gasket, Intake Manifold, GF 370
8	120004	Washer, Fender M6 DIN 9021B Zinc	29	118201	Screw, Button Head Socket, M6 X 16, Blk
9	129118	Gasket, Starter	30	22259292	Glass Frame, Curved, GF 370, MB
10	222580	Firebox Weldment, GF 370	31	156824	Replacement Light Socket Ass'y, GF 370
12	22258892	Baffle, Firebox, GF 370, MB	32	222977	Gasket, Light Kit
13	22258992	Glass Frame, Side, Inner, GF 370, MB	33	222993	Gasket, Relief Door, GF 370
14	22273592	Glass Shade, Side, GF 370, MB	34	225403	Inner Rod, Exhaust Restrictor
15	156833	Replacement Front Glass & Gasket, GF 370	35	118090	Screw, HWH SMA 8 x 5/8 SL Zinc
16	222943	Light Bulb, 130 Volt, 50 Watt	36	22321992	Shroud, Rear, GF 370, MB
17	222974	Glass, Ceramic, Light Fixture, GF 370	37	22328292	Firebox Cover, GF 370, MB
18	22298092	Restrictor Indicator Washer	38	225402	Outer Rod, Exhaust Restrictor
19	222981	Delay Door, GF 370	39*	223224	Skamol, Rear Panel
20	222982	Restrictor Plate, GF 370	40*	223235	Skamol, Side Panel, 2

* not illustrated

Figure 67.
External parts
identification



No.	Part Number	Description
1	117874	Bolt, Hex Hd M8 x 16 Ser Flange, Blk
2	99115	Bolt, Hex Hd M8 x 12 Ser Flange, Blk
3	10447092	Top Plate, Matte Black Paint
	10447053	Top Plate, White Enamel
4	10431992	Pedestal Base, Matte Black Paint
	10431953	Pedestal Base, White Enamel
5	10448892	Pedestal Side, Matte Black Paint
	10448853	Pedestal Side, White Enamel
6	10453692	Access Cover, Matte Black Paint
	10453653	Access Cover, White Enamel
7	118019	Bolt, Hex Hd Serr Flange M6 x 25 Blk
8	117947	Washer, Flat M6 -.062 DIN 125A Plain
9	117968	Nut, M6 Serrated Flange plain
10	117976	Screw, Flat Head Phillips M6 X 12 M/S Blk
11	9906	Bolt, Hex Cap, M6x30, DIN 933, Class 8.8, Blk
12	117978	Screw, Button Head Socket M6 x 10 Blk
13	118095	Screw, HWH, SMA, #8 x 1", SL, Zinc
14	120004	Washer, Fender M6 DIN 9021B Zinc
15	222664	Protection Cap, M8 Hex, Black
16	222729	Door Handle, Plated, GF 370
17	22299592	Top Grill, GF 370, MB
18	222998	Bracket, Firebox Mount, GF 370
19	222999	Bracket, Side Support, GF 370
20	22320792	Bracket, Door Catch, GF 370, Matte Black
21	156843	Lower Door Hinge Asy. GF 370, MB
22	156835	Replacement Outer Side Glass, GF 370
23	22321692	Bracket, Blower Mount, GF 370, MB

No.	Part Number	Description
25	223220	Plate, Centering, GF 370
26	223227	Blower, Axial, 40 CFM, 120 V
27	22558492	Hinge, Door, MB
	22606992	Hinge, Door, for White Enamel stove
28	223236	Label, Caution,
29	99625	Bolt, Hex Head Serr Flange M6x16 8.8 Blk
30	223290	Latch, Magnetic
31	156837	Replacement Outer Side Glass Clip Ass'y.
32	22328592	Bracket, Handle, MB
33	10446392	Door, Matte Black Paint
	10446353	Door, White Enamel
34	10446492	Side Plate, Left, Matte Black Paint
	10446453	Side Plate, Left, White Enamel
35	10446592	Side Plate, Right, Matte Black Paint
	10446553	Side Plate, Right, White Enamel
36	118055	Kepnut, M4, Ext. Tooth Lockwasher, Stl, Zinc
37	22383292	Rear Cover, MB
38	224201	Gas Line Retainer
39	118236	Screw, M6 x 20
40	22385292	Rear Seam Molding, Matte Black Paint
	223852WHP	Rear Seam Molding, White Paint
41	157765	Front Safety Barrier Screen
42	157766	Side Safety Barrier Screen
43	226313	Side Plate Mounting Bracket, Left
44	226314	Side Plate Mounting Bracket, Right

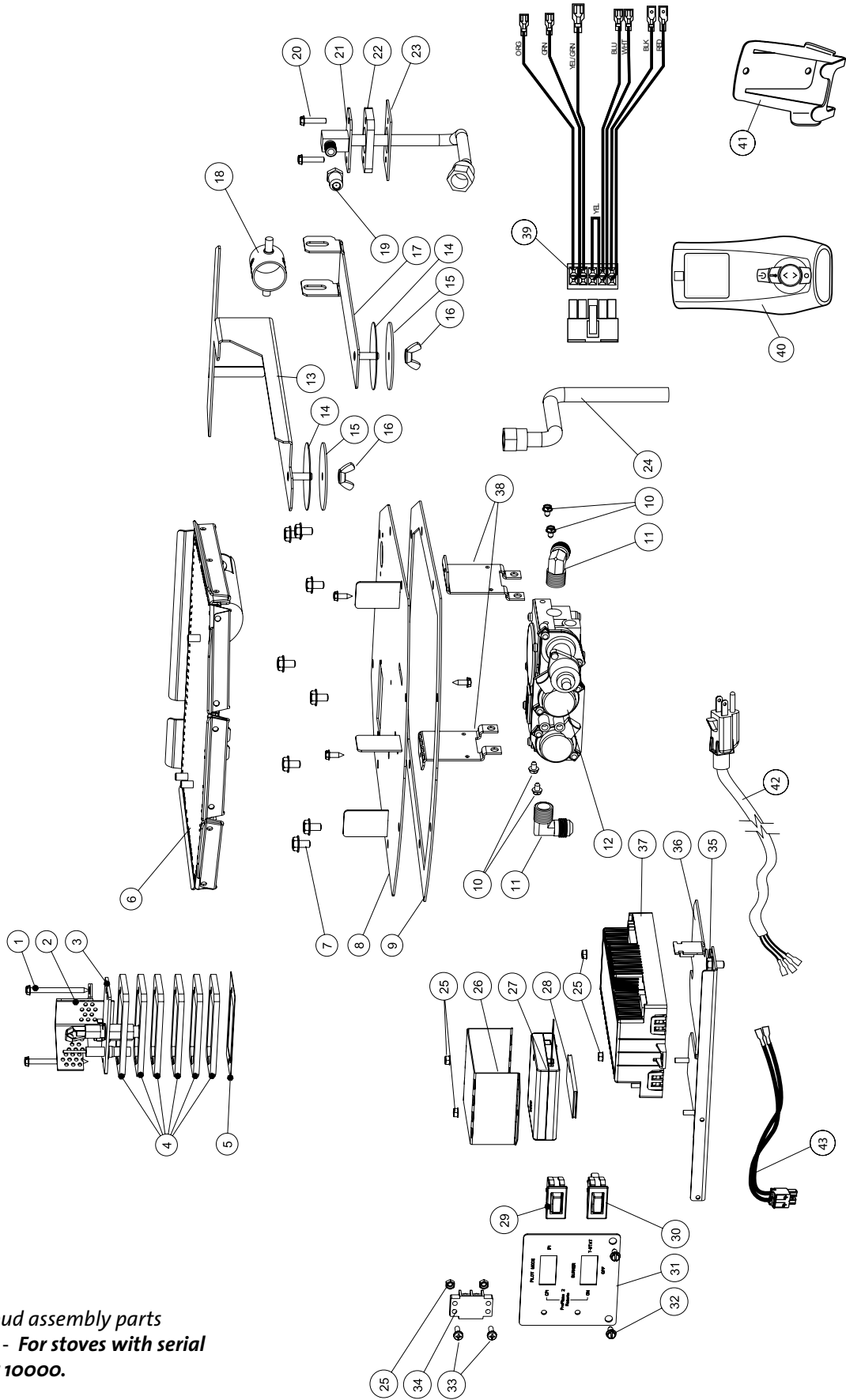


Figure 68.
 GF 370 DVII Spud assembly parts
 identification - For stoves with serial
 numbers after 10000.

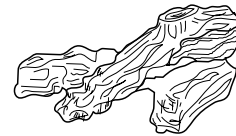
No.	Part Number	Description
1	118066	Screw, #12 X 2", HWH Type A, STL zinc
2	223204	Pilot Air Deflector
3	224785	Pilot Assembly, Dual Fuel Flame Hood, PSE
4	224791	Spacer, PSE Pilot, .188"
5	129670	Gasket, Pilot Assembly
6	156812	Burner Assembly, Complete
7	9962	Bolt, Hex Cap M6x10 DIN 933 8.8 Ser Flange Blk
8	225561	Weldment, PF2 Spud Plate
9	225581	Gasket, Spud Plate,
10	118214	Screw, #8 x 1/4", Taptite, SLHWH, SZPL
11	222292	Elbow, 90 deg, Brass 3/8 NTP X 3/8" Dia Tube
12	222922	Proflame 2 w/ Stepper Motor, NG
13	222987	Intake Restrictor
14	220734	Gasket, 2.25" OD x .125"
15	118023	Fender Washer, .250" x 2.25"
16	117975	Wing Nut, M6
17	223201	Handle, Primary Air, GF 370
18	221390	Primary Air Shutter Asby
19	129130	Orifice, #38 / NG
	220731	Orifice, #53 / LP
20	117986	Screw, #8 x 3/4" SL HWH SMA Zinc
21	223231	Orifice Holder, Drop In Assembly
22	224132	Spacer, Orifice Holder
23	222280	Gasket, Drop In Orifice Holder
24	223235	Flex tube w/ connectors (3/8" OD x 48")
25	117922	Nut, Hex M4 DIN 934 Plain
26	225562	Battery Heat Shield
27	157265	Replacement IPI Back-up Battery Box (4 AA)
28	118257	Hook & Loop Tape, 1" wide, self-adhesive
29	120517	Rocker Switch, SPST, Blk, Plain
30	223201	Rocker Switch, SPDT, Center OFF, Blk, Plain
31	224781	Control Face Plate, Silkscreened, IPI Stoves
32	117917	Screw, HWH SMA #8 x 1/2" SL Blk Oxide
33	117921	Screw, Pan Hd M4 x 12mm, 8.8 M/S, Blk Oxide
34	129154	Terminal Block, 2 Pole 77 Series
35	9962	Bolt, Hex Cap M6 x 10mm DIN 933 Ser. Flng
36	22556092	Control Bracket
37	158130	Replacement Proflame 2 Control Board (POD)
38	225563	Valve Brackets, PF2
39	157493	Replacement Proflame 2 Wire Harness
40	157495	Replacement Multifunction Remote
41	223951BKP	Replacement Remote Wall Bracket
42	157492	Power Cord, 18 AWG, Grounded - 10 ft.
43	157494	Replacement Burner Control Wire Harness
44	223286	Center Log
45	223287	Right Log
46	223288	Left Log

Use only genuine Jøtul Replacement Parts available from your local Authorized Jøtul Dealer or by contacting:

Jøtul North America
55 Hutcherson Dr.
Gorham, ME 04038

207 591-6601

44



45



46

